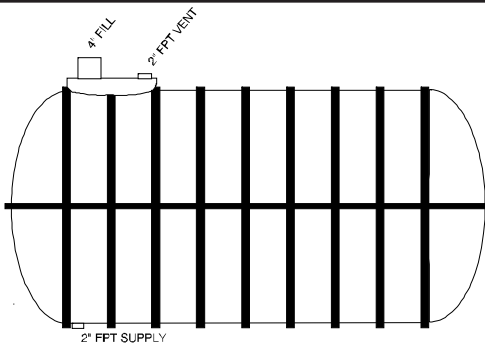


Horizontal Tanks

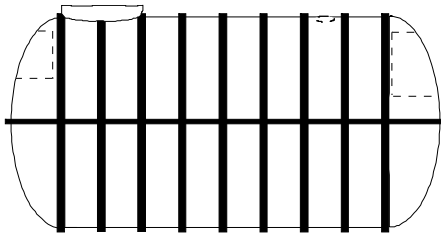
Tanks Are Priced
Less Fittings

65 Gal	54" x 20" Dia	\$322.00
105 Gal	84" x 20" Dia	398.00
140 Gal	112" x 20" Dia	465.00
175 Gal	152" x 20" Dia	558.00
175 Gal	96" x 24" Dia	465.00
188 Gal	66" x 30" Dia	472.00
280 Gal	96" x 30" Dia	586.00



Cistern Tanks

350 Gal	4'6" x 4' Dia	923.00
500 Gal	6'6" x 4' Dia	1,054.00
750 Gal	9'2" x 4' Dia	1,390.00
1000 Gal	11'8" x 4' Dia	1,860.00
1134 Gal	13'2" x 4' Dia	1,992.00
1400 Gal	8'2" x 6' Dia	2,272.00
2300 Gal	12'4" x 6' Dia	3,165.00
3300 Gal	17'6" x 6' Dia	4,122.00
6000 Gal	21' x 8' Dia	8,945.00
8000 Gal	26'6" x 8' Dia	10,932.00
10000 Gal	32' x 8' Dia	13,133.00



Septic Tanks

350 Gal	4'6" x 4' Dia	\$689.00
500 Gal	6'6" x 4' Dia	840.00
750 Gal	9'2" x 4' Dia	1,068.00
1000 Gal	11'8" x 4' Dia	1,455.00
1134 Gal	13'2" x 4' Dia	1,527.00

Larger sizes available

Glassed together for holding add \$100.00

Round Poly Equipment Tanks



Round Tanks

	Dia	Length	Tank	Craddle
25	23"	20"	62.00	71.00
55	23"	38"	104.00	77.00
75	24"	47"	127.00	127.00
95	24"	56"	170.00	136.00
110	30"	44"	173.00	154.00
150	30"	57"	208.00	221.00
150	32"	52"	208.00	215.00
200	32"	68"	254.00	313.00
200	38"	51"	254.00	298.00
300	38"	76"	329.00	360.00
500	48"	79"	449.00	438.00



Poly Pickup Tanks

	Dia	Height	
200	52"	30"	215.00
205	52"	26"	327.00
305	60"	30"	366.00
350	62"	34"	326.00
450	62"	41"	381.00

Round Fiberglass Equipment Tanks



Standard Outlet
2" Supply out
bottom of Sump

★ White Gelcoat Finish

★ 15" Manhole

★ Large Sump

	L	x Dia.	Tank	Saddles Each
100 Gal	34"	x 32"	\$442.00	\$136.00
160 Gal	50"	x 32"	492.00	136.00
200 Gal	66"	x 32"	564.00	136.00
300 Gal	75"	x 38"	642.00	144.00
400 Gal	75"	x 42"	817.00	151.00
500 Gal	72"	x 48"	925.00	155.00
750 Gal	111"	x 48"	1,385.00	155.00
1000 Gal	12'4"	x 48"	1,941.00	155.00

Fiberglass Truck Tanks

- ★ **Baffled** (1000 Gallon and up)
- ★ **Low Center of Gravity**
- ★ **Large 15" Manhole**
- ★ **Large Sump with Agitation Tube**
(Standard On Elliptical Models)
Optional on railed models.
Call for price
- Non DOT Regulated**
- ★ **White Gelcoat Finish**
(Helps Reflect Sunlight)



500-ER-SUMP

SIZE	L	W	H	PRICE
300 Gal	5'	5'8"	28"	\$1,090.00
300-ER-SUMP	5'	5'8"	31"	1,245.00
400 Gal	5'	5'8"	36"	1,144.00
400-ER-SUMP	5'	5'8"	39"	1,293.00
500 Gal	5'	5'8"	44"	1,211.00
500-ER-SUMP	5'	5'8"	47"	1,418.00

SIZE	L	W	H	PRICE
636 Gal	6'3"	5'8"	44"	1,418.00
725 Gal	6'3"	6'4"	45"	1,497.00
1000 Gal	8'2"	6'4"	45"	2,095.00
1225 Gal	10'1"	6'4"	45"	2,343.00
1500 Gal	12'4"	6'4"	45"	2,956.00
1650 Gal	10'1"	6'4"	57"	CALL
1500 Gal	8'4"	7'6"	61"	2,956.00
1725 Gal	10'5"	7'6"	54"	3,305.00
2000 Gal	10'5"	7'6"	61"	3,452.00
2200 Gal	12'9"	7'6"	54"	3,736.00
2400 Gal	12'9"	7'6"	61"	3,903.00
3000 Gal	15'8"	7'6"	61"	4,944.00
3500 Gal	18'2"	7'6"	61"	5,950.00
4000 Gal	20'8"	7'6"	61"	8,208.00
5400-TT Gal	21'	8'	78"	CALL



Free Standing Horizontal Elliptical

	Length	Width	Height	
510FS Ellip	80"	57"	39"	567.00
1035FS Ellip	90"	78"	52"	973.00
1610FS Ellip	139"	78"	58"	1,985.00
2350FS Ellip	146"	88"	63"	3,061.00
2750FS Ellip	146"	88"	70"	3,733.00
3200FS Ellip	172"	88"	74"	3,630.00
3250FS Ellip	146"	88"	79"	3,919.00

Free Standing Horizontal

	Dia	Length	
15FS	14"	30"	67.00
25FS	16"	34"	
35FS	18"	34"	79.00
65FS	24"	39"	139.00
70FS	24"	40"	160.00
125FS	32"	40"	227.00
165FS	32"	54"	280.00
225FS	38"	52"	325.00
325FS	38"	72"	435.00
335FS	44"	56"	396.00
535FS	48"	78"	540.00
735FS	48"	103"	847.00
925FS	62"	81"	1,023.00
1005FS	48"	130"	1,118.00
1065FS	56"	106"	1,117.00
1300FS	62"	114"	1,395.00
1750FS	62"	147"	2,125.00
1800FS	62"	140"	1,885.00
2600FS	62"	212"	2,990.00

Poly Vertical Storage Tanks



Poly Vertical	Dia	Height	Price				
20	16"	28"	73.00	800	46"	118"	628.00
25	18"	30"	62.00	850	54"	94"	643.00
40	18"	43"	77.00	900	46"	132"	760.00
55	20"	47"	97.00	1000	64"	81"	847.00
65	23"	42"	110.00	1050	86"	54"	658.00
75	23"	50"	118.00	1200	64"	97"	929.00
100	28"	45"	157.00	1350	86"	55"	783.00
105	23"	65"	163.00	1500	64"	115"	1,120.00
110	32"	41"	166.00	1500	86"	69"	830.00
130	32"	46"	193.00	1525	64"	122"	1,171.00
135	28"	59"	193.00	1650	86"	74"	877.00
160	28"	68"	224.00	2000	64"	156"	1,543.00
175	31"	61"	210.00	2000	90"	84"	1,335.00
180	40"	45"	206.00	2050	86"	96"	1,304.00
210	40"	49"	221.00	2150	102"	71"	1,422.00
225	31"	76"	272.00	2500	90"	103"	1,411.00
265	31"	88"	298.00	3000	90"	120"	1,703.00
295	42"	55"	302.00	3100	102"	103"	1,837.00
300	35"	81"	329.00	3400	102"	107"	1,949.00
300	42"	55"	291.00	4000	96"	140"	2,833.00
405	52"	48"	349.00	4200	96"	148"	2,981.00
420	42"	75"	379.00	5000	102"	156"	4,328.00
425	42"	75"	371.00	5150	102"	161"	4,158.00
500	46"	77"	433.00	6250	102"	194"	4,637.00
505	46"	80"	439.00	6500	120"	152"	4,663.00
550	52"	66"	430.00	7000	142"	125"	5,113.00
600	46"	91"	482.00	7800	120"	176"	5,881.00
625	64"	50"	384.00	8000	120"	180"	5,970.00
				9150	120"	203"	6,812.00
				9500	120"	213"	7,321.00
				10500	142"	177"	7,861.00
				12500	142"	208"	10,546.00

Poly Cone Bottom Storage Tanks



	Dia X Height	Height W/Stand	Tank Price	Stand Price
15 Gal	19" x 24"		76.00	84.00
30 Gal	24" x 30"	44"	96.00	89.00
40 Gal	30" x 40"	45"	138.00	159.00
60 Gal	24" x 42"	56"	127.00	89.00
85 Gal	30" x 44"	49"	185.00	159.00
110 Gal	30" x 51"	56"	217.00	159.00
150 Gal 45 deg	36" x 51"	63"	262.00	265.00
200 Gal 45 deg	42" x 55"	65"	321.00	302.00
300 Gal 45 deg	42" x 67"	76"	403.00	302.00
345 Gal 45 deg	52" x 58"	70"	431.00	503.00
350 Gal 45 deg	42" x 81"	93"	461.00	302.00
500 Gal 45 deg	52" x 81"	92"	504.00	503.00
1000 Gal 45 deg	64" x 98"	112"	900.00	770.00
1200 Gal 15 deg	90" x 62"	74"	875.00	1,025.00
1490 Gal 45 deg	64" x 132"	146"	1,209.00	770.00
1600 Gal 30 deg	90" x 85"	93"	1,044.00	1,280.00
1700 Gal 15 deg	86" x 85"	96"	1,037.00	1,003.00
2500 Gal 15 deg	90" x 111"	121"	1,372.00	1,025.00
2600 Gal 30 deg	90" x 123"	129"	1,757.00	1,280.00
2600 Gal 45 deg	86" x 146"	154"	1,757.00	1,369.00
3000 Gal 15 deg	90" x 128"	137"	1,891.00	1,025.00
4600 Gal 15 deg	102" x 155"	166"	3,990.00	1,382.00
4900 Gal 15 deg	102" x 159"	170"	4,306.00	1,382.00
6900 Gal 15 deg	122" x 168"	177"	5,404.00	3,908.00
8250 Gal 15 deg	122" x 195"	205"	6,680.00	3,908.00

Stock Watering Tanks



Round

280 Gal	5'8" Dia x 24"	\$470.00
600 Gal	7'10" Dia x 26"	555.00
1000 Gal	10' Dia x 25"	915.00

Oblong L x W x H

1050 Gal	151" x 96" x 24"	\$1,020.00
----------	------------------	------------

Fiberglass Vertical Tanks



Tanks Are Priced
Less Fittings

750 Gal Less Lid	30"	X 89" Dia	\$740.00
1050 Gal Less Lid	42"	X 89" Dia	885.00
1550 Gal Less Lid	62"	X 89" Dia	1,080.00
Cover for 750, 1050 & 1550	313.00		
2100 Gal	82"	X 89" Dia	1,970.00
2600 Gal	104"	X 89" Dia	2,345.00
3100 Gal	124"	X 89" Dia	2,504.00
4000 Gal	92"	X 9'6" Dia	3,880.00
6000 Gal	136"	X 9'6" Dia	5,400.00
8500 Gal	8'	X 14' Dia	10,670.00
16500 Gal	15'	X 14' Dia	13,960.00
24500 Gal	22'	X 14' Dia	28,308.00

Flat Bottom Tanks

90 Gal	34" x 32" x 28"	\$345.00
140 Gal	50" x 32" x 28"	416.00
180 Gal	66" x 32" x 28"	458.00
200 Gal	54" x 38" x 33"	461.00
300 Gal	75" x 38" x 33"	558.00



Priced less outlet.
Please specify size

Pest Control Operator Tanks

	W x L x H	Lid	Fitting	
35 Gal	19 x 35 x 21	5"	1"	\$112.00
50 Gal	19 x 38 x 23	8"	1"	120.00
100 Gal	30 x 38 x 29	8"	1"	193.00
150 Gal	37 x 48 x 29	12"	1-1/4"	232.00
200 Gal	37 x 48 x 38	12"	1-1/4"	287.00
300 Gal	37 x 69 x 40	16"	2"	608.00



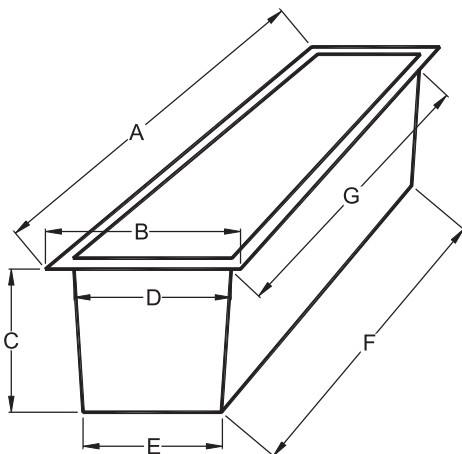
50-300 Gallon
Available with or
without sump

Float Valve for Artesian Water Systems on Flat Bottom Tanks Above



\$47.53 Less Thru Wall
Fitting

Rectangular Fiberglass Tanks



Tank Size	A Overall Length	B Overall Width	C Overall Height	D	E	F	G
14 Gallon	28.25	28.25	6.25	24	23.5	23.5	24
25 Gallon	20.25	22.25	16.25	20.25	19.5	19.5	22.25
60 Gallon	45.75	21.5	18	19.5	18.5	44.5	47.5
115 Gallon	36	31.25	28.5	28.25	28	35.25	39
100 Gallon							
100 Gallon	46	26.25	24.25	24.25	22	43.75	48
180 Gallon	52	39	23.75	36	33	48.75	55
400 Gallon	72	39.5	35.75	35.5	29.75	65.75	76

800-365-3070

TANK ACCESSORIES

							
6" River Bend Lid & Ring \$13.05 Lid Only \$7.15	5 1/2" Raven Lid & Ring \$37.00 \$18.50	10" Raven Lid & Ring \$42.70 \$20.70	8" River B/Ace Lid & Ring \$25.00 \$18.00	12" River B/Ace Lid & Ring \$33.00 \$24.00	16" River Bend Lid & Ring \$35.00 \$27.25	16" Hinged Lid River Bend Lid & Ring \$66.00	22" River Bend Lid & Ring \$103.00 \$66.50

 <p>ULTRASONICALLY SEALED!</p> <p>100% FULLY DRAINABLE!</p> <p>Tank Wall/Bottom</p> <p>Also Available in Manifold</p> 	Size	Price
	3/4"	42.47
	1"	42.47
	1 1/4"	64.35
	1 1/2"	40.41
	2"	40.41
	2"FP	45.57

	5" Ace Spin On Lid 10.00
--	-----------------------------------



 <p>Raven Tank Thru Walls Also Available</p>	Thru-Wall Fittings		
	Size	Hole OD	Price
	3/4"	1 3/8"	9.50
	1"	1 3/4"	12.50
	1 1/4"	2"	15.50
	1 1/2"	3"	21.50
	1 1/2" Antivortex		26.04
	2"	3"	21.50
	2" Antivortex		26.04
3"	4 3/8"	40.08	

Stainless Steel Thru-Wall Fittings		
Size	Hole Dia	Price
3/8" SS	1"	\$88.81
1/2" SS	1 3/8"	\$117.70
3/4" SS	1 5/8"	\$175.14
1" SS	2 1/4"	\$213.17
1 1/4" SS	2 1/4"	\$213.17
1 1/2" SS	3"	\$267.79
2" SS	3"	\$267.79
2" SS	3 1/4"	\$282.66
3" SS	4 3/8"	\$433.08

Fiberglass Tank Accessories		
24"	Manhole Cover Fiberglass	\$43.00
24"	Manhole Cover with 15" Lid	72.50
24" x 24"	Manway 24" Dia x 24" Long	385.00
24" x 48"	Manway 24" Dia x 48" Long	577.00
1/2"	Fiberglass Fitting Installed	50.00
1/2"	Fiberglass Fitting Installed DT	67.00
3/4"	Fiberglass Fitting Installed	51.00
3/4"	Fiberglass Fitting Installed DT	69.00
1"	Fiberglass Fitting Installed	55.00
1"	Fiberglass Fitting Installed DT	78.00
1 1/4"	Fiberglass Fitting Installed	58.00
1 1/4"	Fiberglass Fitting Installed DT	84.00
1 1/2"	Fiberglass Fitting Installed	59.00
1 1/2"	Fiberglass Fitting Installed DT	86.00
2"	Fiberglass Fitting Installed	63.00
2"	Fiberglass Fitting Installed DT	93.00
3"	Fiberglass Fitting Installed DT	127.00
4"	Fiberglass Fitting Installed DT	140.00
6"	Fiberglass Fitting Installed DT	203.00

Rotating Tank Rinse Nozzles	
------------------------------------	--

Strainer Baskets For River Bend Lids above	
8"	\$26.75
12"	32.25
16"	33.25

Fittings for Agitation	Can Rinsers \$32.95
	
Agitation Adapter	
Tee	\$11.32
Nozzle	4.91
	4.43
	Use to Jab Through and Rinse Cans

CHEMICAL HANDLING



All Tanks Feature Full Drain Outlet

	Tank	Stand	Dia
	15	69.00	84.00
	30	87.00	89.00
	40	125.00	159.00
	60	115.00	89.00
	85	167.00	159.00
	110	196.00	159.00

35 and 60 Gallon Blow Molded with Plastic Legs

35 Gallon	158.00
60 Gallon	184.00

Rinse Tanks



SP002.5-RT	2.5 Gal Rectangle	\$31.00
SP0003-RT	3 Gal Rectangle	33.00
SP003.5-CL	3.5 Gal Cylinder	32.00
SP0004-SQ5	4 Gal Square	47.00
SP0004-SQ8	4 Gal Square	47.00
SP0005-SQ5	5 Gal Square	47.00
SP0005-SQ8	5 Gal Square	47.00
SP0010-SQ8	10 Gal Square	66.00
Size	Dimensions	Lid Fitting
SP002.5-RT	7 x 15 x 14	5" Lid 3/4"
SP0003-RT	7 x 12 x 14	5" Lid 3/4"
SP003.5-CL	11 x 15	5" Lid 3/4"
SP0004-SQ5	11 x 11 x 15	5" Lid 1-1/4"
SP0004-SQ8	11 x 11 x 14	8" Lid 1-1/4"
SP0005-SQ5	11 x 11 x 20	8" Lid 1-1/4"
SP0005-SQ8	11 x 11 x 19	8" Lid 1-1/4"
SP0010-SQ8	13 x 13 x 21	8" Lid 1-1/4"



200 Gallon Wettable Powder Mix Tank and Stand \$843.00

Designed for use with transfer pump for agitation.
Large 24" lid. 2" inlet and outlet.

6 Gal W/Pump Mount



8 Gal Loaf



12 Gal

16 Gal

20 Gal



25 Gal ATV



45 Gal



80 Gal

Other Sizes Available

100 Gal



150 Gal



	Outlet	Lid	WxLxH	
5 Gal Rectangular	—	5"	10x22x8	\$36.00
6 Gal With Pump Mount	—	2"	12x15x8	39.00
6 Gal Rectangular	—	5"	12x15x8	39.00
8 Gal Loaf Tank	1/2"	5"	12x16x7	48.00
12 Gal Rectangular w/sump	3/4"	5"	14x18x12	52.00
12 Gal Loaf Tank	1/2"	5"	12x16x22	51.00
14 Gal ATV	—	5"	14x31	54.00
16 Gal Rectangular	—	5"	14x21x14	51.00
19 Gal Loaf Tank	1/2"	—	12x16x28	74.00
20 Gal Rectangular w/sump	3/4"	5"	14x28x12	69.00
25 Gal ATV with or without sump	—	5"	18x34	69.00
26 Gal Rectangular	3/4"	8"	18x25x19	84.00
45 Gal Rectangular	—	5"	18x37x18	97.00
50 Gal Rectangular	1"	8"	19x38x20	133.00
55 Gal Rectangular	1"	5"	18x18x44	122.00
80 Gal Rectangular	1"	5"	18x27x44	160.00
100 Gal Rectangular	1"	8"	27x43x26	187.00
150 Gal Rectangular	1"	8"	36x48x25	221.00
200 Gal Rectangular	1"	8"	36x48x34	276.00
250 Gal Rectangular	1-1/2"	16"	29x62x42	393.00
300 Gal Rectangular	1-1/2"	16"	29x62x53	393.00
400 Gal Rectangular	2"	16"	29x62x66	652.00