

Automatic NH₃ Controllers

Model 01242
Complete Kit with MT-3405
Controller
 List \$4,195.00 Sale 3,356.00



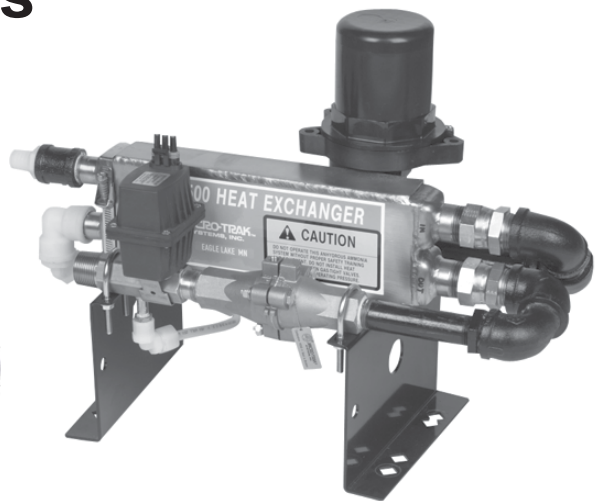
MT-3405

Model 01120
for existing MT-3405
 List \$3,195.00 Sale 2,556.00



MT-3000

Model 00140
for existing MT-3000
 List \$3,195.00 Sale 2,396.25



Completely assembled anhydrous kit with 5.0 square ft. stainless steel heat exchanger, K-Z electric shut off valve, strainer, NH₃ flowmeter, NH₃ electric servo valve, wiring harness, hardware and fittings for complete installation. Suitable for N-serve.

The NH₃ Kit is a complete, stand alone system that can be used with any new or existing Micro-Trak sprayer control Console. It provides accurate, automatic application control of anhydrous ammonia and is designed to satisfy application rates of 600 to 6000 lbs NH₃ per hour. Corrosion resistant materials assure long life even when applying NH₃ with N-Serve.



Boom Buster Nozzles
 Use for Road Side, Ditch, Fence Line,
 Row Crops, Grain and Pastures
 Solid Stainless Steel Tip
 Extra Wide Spray Pattern
 Excellent pattern and distribution.



See our web site for full GPA charts

We Stock Models 120-5R, 125, 140, 180-6, 180-6R, 180-10R, 187, 187-R, 260-11R, 265R, 375, 375-R, 437-R, 500-R



Great for State and County Right Of Way

Nozzle Combinations for Speeds from 4-10 MPH			
MCD 120-5R Band Width 5 Ft.	MCD 180-10R Band Width 10 Ft.	MCD 265-R Band Width 19.5 Ft.	
Nozzle Combinations for Speeds from 7-15 MPH			
MCD 180-10R Band Width 6 Ft.	MCD 260-11R Band Width 11 Ft.	MCD 375-R Band Width 21.5 Ft.	MCD 437-R Band Width 29.5 Ft.
Nozzle Combinations for Speeds from 16-30 MPH			
MCD 260-5R Band Width 5 Ft.	MCD 370-R Band Width 10 Ft.	MCD 500-R Band Width 20 Ft.	

NH3 ACCESSORIES

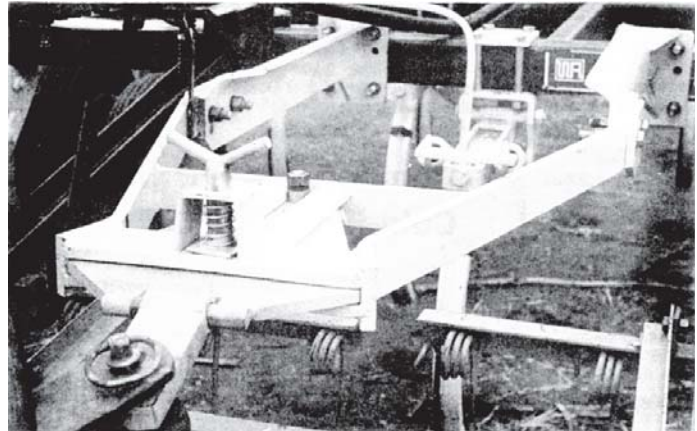
Ray-Mac Hitch

Ray-Mac hitch for use in NH3 applications. Comes standard with 32" long framework. Eliminates the need for excessive maneuvering.

Fits frame sizes of 2 1/2"-4"

Ray-Mac Hitch 32" long
 Extension to 45" long
 Extension to 60" long
 Extension to 70" long

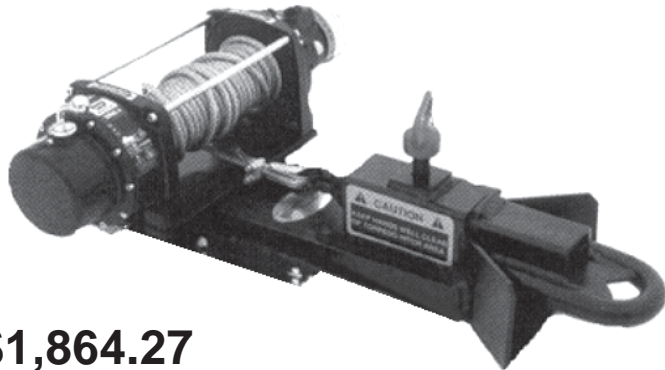
\$CALL
 CALL
 CALL
 CALL



Torpedo Hitch

Features:

- ★ Heavy Duty Hydraulic or Electric
- ★ Free Wheel
- ★ 25' 5/16" Aircraft Cable



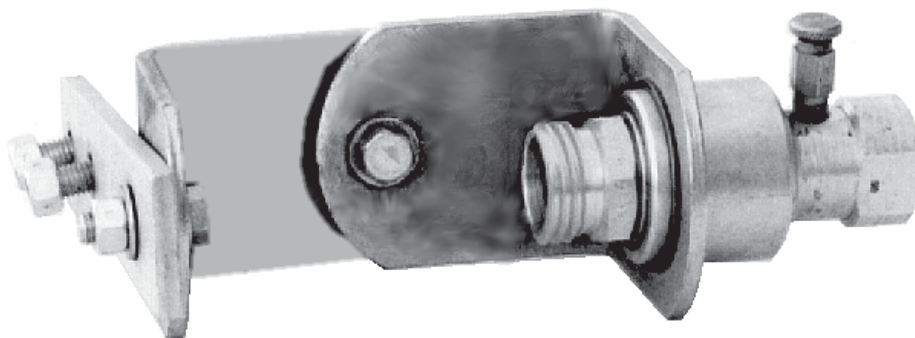
\$1,864.27

Pioneer Quick Couplers for NH3

Complete with Bracket and Bleeder Valve

1"
 Call for Price

1 1/4"
 Call for Price



Breakaway Parts

Teflon Ring	\$2.24
O-Ring (2 on 1 1/4")	1.46
Quad Ring for Acme Thread	1.66
1" Male Tip Only	80.36

NH₃ KNIVES & ACCESSORIES



DT3
Field Cultivator
3/8" 27.42
1/2" 27.42



DT4
Field Cultivator
3/8" 27.42
1/2" 27.42



CP65
Chisel Plow
3/8" 32.00
1/2" 32.00



CP70
Chisel Plow
3/8" 35.00
1/2" 35.00



CP70CI
Chisel Plow
3/8" 38.00
1/2" 39.00



FC01
Field Cultivator
3/8" 8.20



FC02
Field Cultivator
3/8" 8.50



CP02
Chisel Plow
3/8" 7.90



FC03
Field Cult
3/8" 7.90
1/2" 8.93



CP01
Chisel Plow
3/8" 7.90
1/2" 8.93



Lange
230
3/8" 48.00



Lange
240
3/8" 48.00



NH₃ Tank Hose

3/4"	\$8.22 Per Foot
1"	8.22 Per Foot
1 1/4"	14.38 Per Foot

NH₃ EVA Discharge Hose

See page 37
NH₃ discharge hose, available in
full rolls or cut to any specified
length.

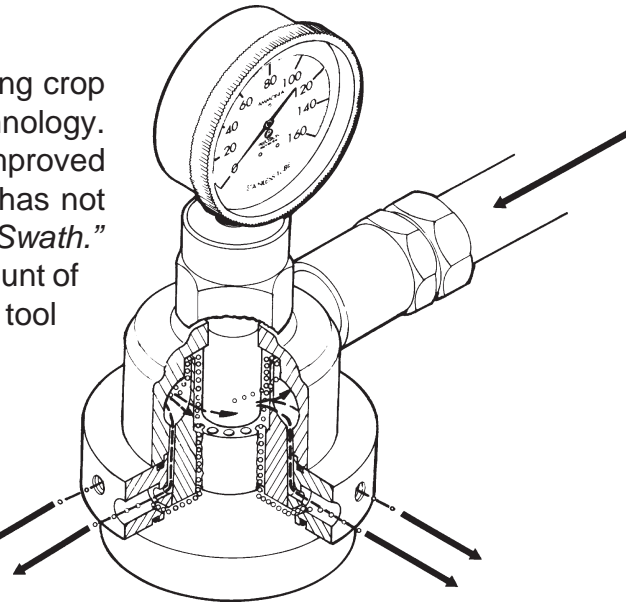
**25% Discount
on Full Rolls**

NH₃ ACCESSORIES

Vertical Dam Manifolds

In a day where all of us are concerned about increasing crop yields, it is vitally important to stay abreast of new technology. Even with the advancements in electronic meters, improved tractors, and tool bars, there is still a dimension that has not been adequately addressed: *"Distribution Across The Swath."* It does little good to get what you think is the exact amount of Nitrogen per acre if it is not divided evenly across the tool bar.

Continental NH₃ is proud to announce a revolutionary concept in distribution: the Vertical Dam Manifold system. The A-MVD manifold in conjunction with the A-SVD separator is designed to maintain the optimum distribution of NH₃ across the entire tool bar.



Call For Pricing

NH₃ Manifolds

A-6006B	14 Outlet 1/4"	92.55
A-6006A	18 Outlet 1/8"	109.88
A-6007C	24 Outlet 1/8"	152.77



A-6007-C

NH₃ Shut Off Valves

Hydra-Halt HH-0800C

Dependable Hydraulic Shut Off Valve

1" List \$585.00

Sale 351.00

1-1/4" List \$709.00

Sale 425.40



Electra-Halt 68F-55-Y

Dependable Electric Shut Off Valve

\$1,020.00 Valve Only

Sale 633.00

\$220.00 Switch Box

Sale 132.00



Valve Repair Kit

119.64