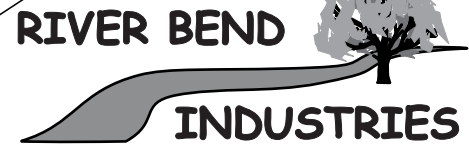
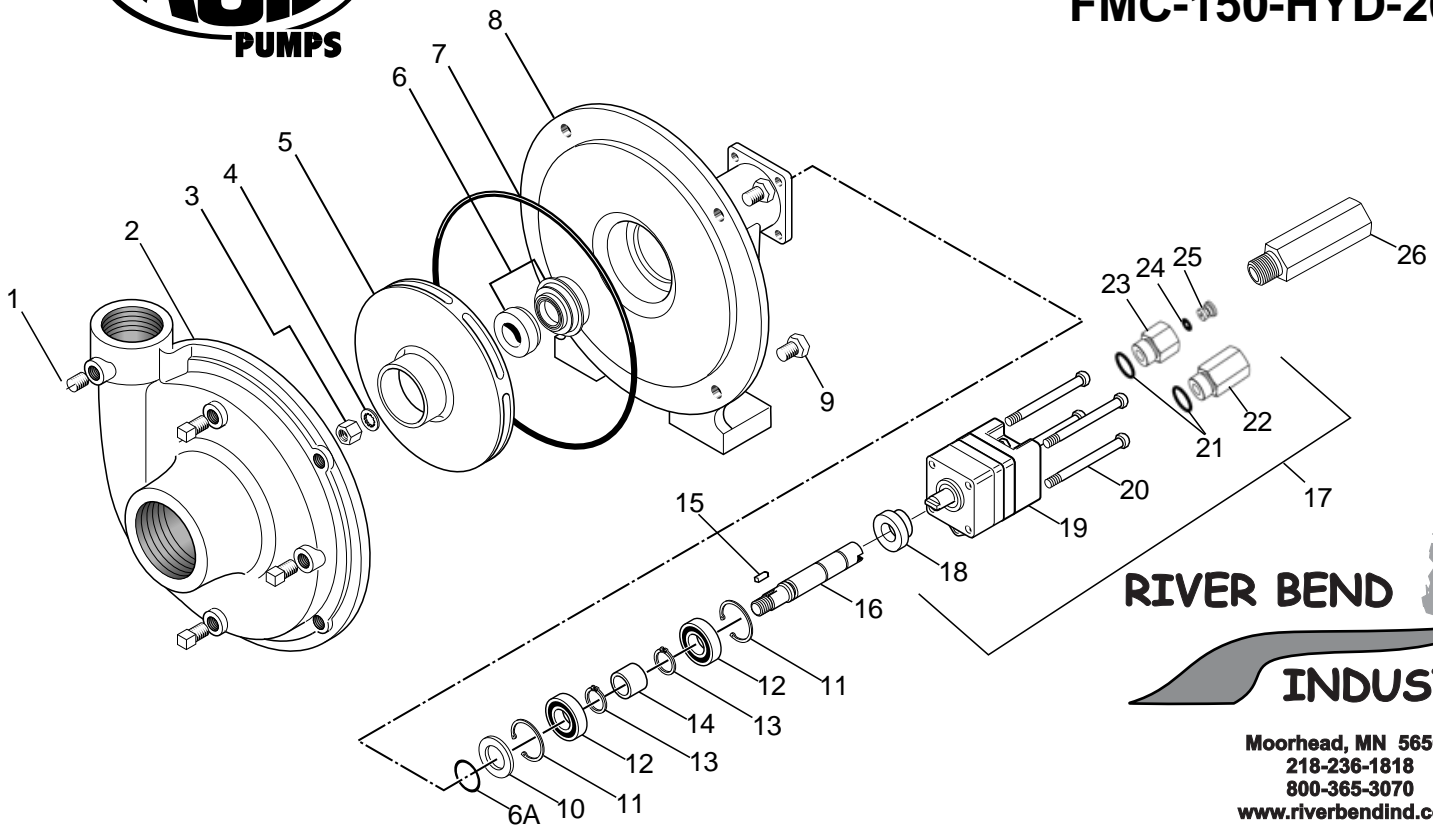




FMC-150-HYD-206



Moorhead, MN 56560
 218-236-1818
 800-365-3070
www.riverbendind.com

REF. #	PART NUMBER	EDP #	DESCRIPTION	REQ.
1	BAC-53	41110	Pipe Plug	4
1	41120	41120	Pipe Plug, Stainless Steel (optional)	4
2	BAC-12-150	40255	Volute, 1-1/2" x 1-1/4"	1
3	BAC-23-A	40391	Nut, 3/8" NF, Cad Plated	1
3	BAC-23-A-SS	40392	Nut, 3/8" NF, Stainless Steel (optional)	1
4*+	BAC-24-HYD-SS	40400	Washer, 3/8" Star, Stainless Steel	1
5	BAC-26-150-P	40446	Impeller, Valox, Keyway	1
5	BAC-26-150-CI	40445	Impeller, Cast Iron, Keyway (optional)	1
6*	BAC-7V	40152	Seal, Carbon/Ceramic Viton (includes 40160 O-Ring)	1
6+	BAC-7SC	40152	Seal, Silicon Carbide Viton (includes 40160 O-Ring) (optional)	1
6A*+	40160	40160	O-Ring, Shaft Seal	1
7*+	BAC-4-150	40015	O-Ring, Body Seal	1
8	8AC-14-150-HYD	40305	Mounting Frame (for 200 Series Hydraulic Motor)	1
9	40950	40950	Cap Screw, 3/8" NC x 3/4" Hex Head	4
9	40930	40930	Cap Screw, 3/8" NC x 3/4" Hex Head, Stainless Steel (optional)	4
10	BAC-54	41130	Slinger	1
11	BAC-33	40810	Snap Ring, Internal, BAC-14 Mounting Frame	2
12	BAC-37	40870	Ball Bearing, Sealed, BAC-6 Shaft	2
13	BAC-32	40790	Snap Ring, External, BAC-6 Shaft	2
14	BAC-32-S	40795	Spacer For BAC-6 Shaft	1
15	BACH-25	40420	Key, 1/8" x 1/8" x 1/2"	1
16	BAC-6-HYD-SS	40061	Shaft, 5/8" Diameter, Keyway and Tang Slot, Stainless Steel	1
17	BAC-75-HYD-206	41372	Hydraulic Motor, 7 GPM (Includes Parts 18 - 25)	1
18	S200	40161	Seal Support Spacer for 200 Series HYD Motor	1
19	BAC-75-HYD-206N	41397	Hydraulic Motor, 7 GPM (Motor Only - No External Fittings)	1
20	41255	41255	Cap Screw, 5/16" N. C. x 3-3/4" Socket Head (for 206N Motor)	4
21	41875	41875	O-Ring, #8 SAE Fitting	2
22	BAC-78-8SAE	41441	Reverse Check Valve, #8 SAE Male x 1/2" NPT Female	1
23	BAC-80-8SAE	41455	Adapter, Restrictor Body, #8 SAE Male x 1/2" NPT Female	1
24	41448	41448	O-Ring, Orifice Insert	1
25	BAC-79-7	41456	Orifice, Restrictor Insert, .109 (206N)	1
26	LS-206N	41418	Flow Limiting Valve (206N), #8 SAE Male x 1/2" NPT Female	1
*	RK-FMC-150	52710	Repair Kit for FMC-150 Series Pump	-
+	RK-FMCSC-150	52711	Repair Kit for FMC-150 Series with Silicon Carbide Shaft Seal	-
#	RK-BAC-75-HYD-L	41374	Repair Kit for 200 Series Motor with High Pressure Lip Seal	-