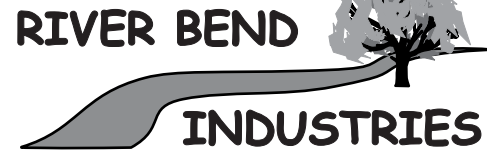
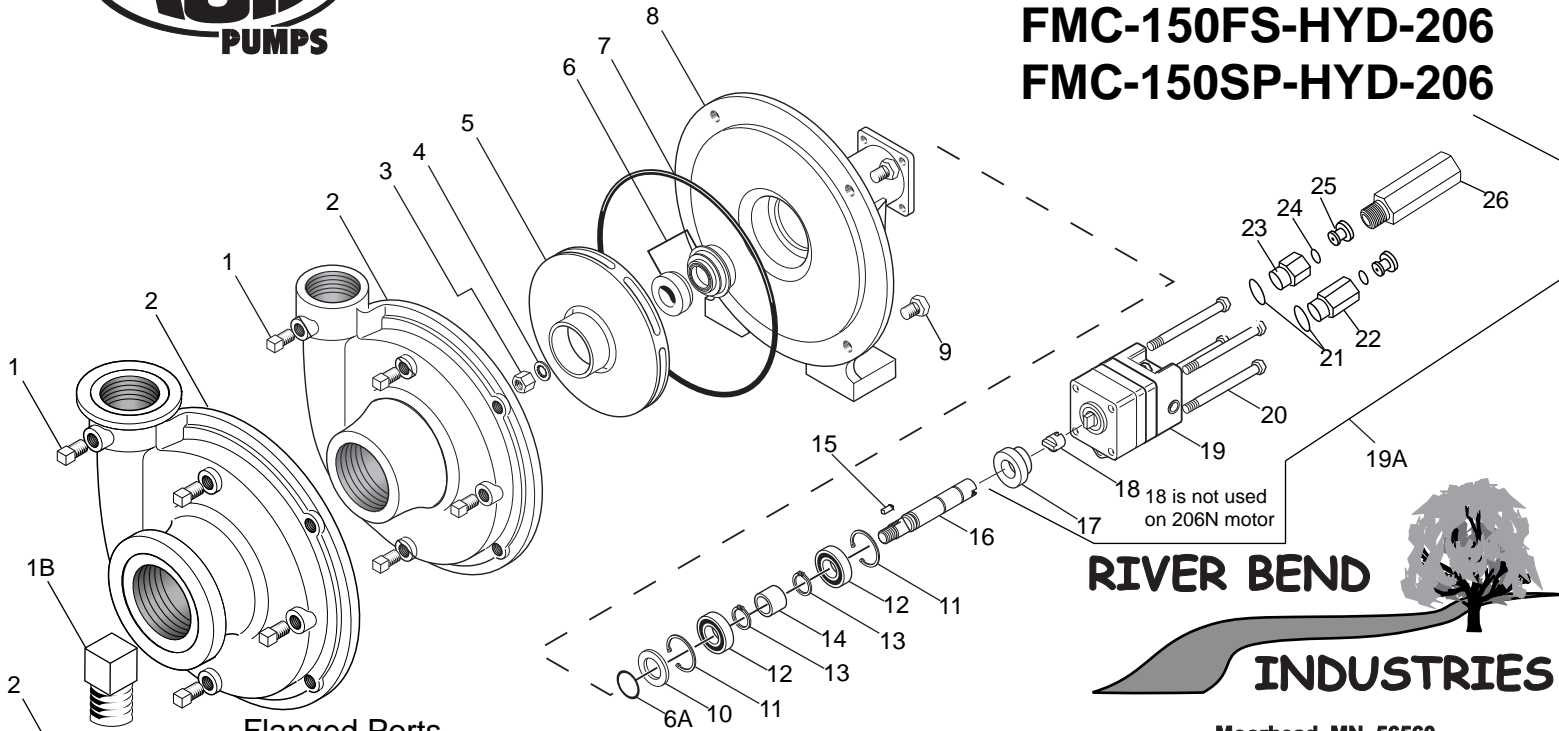


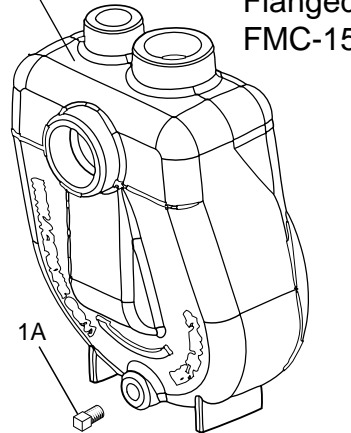


FMC-150-HYD-206
FMC-150F-HYD-206
FMC-150FS-HYD-206
FMC-150SP-HYD-206



Moorhead, MN 56560
 218-236-1818
 800-365-3070
www.riverbendind.com

Flanged Ports
 FMC-150F-HYD-206



Self Priming
 FMC-150SP-HYD-206

Ref. #	PART NUMBER	EDP#	DESCRIPTION	REQ.
1	BAC-53	41110	Pipe Plug, 1/8" NPT	4
1	41120	41120	Pipe Plug, 1/8" NPT Stainless Steel	4
1A	20750	20750	Pipe Plug, Drain, 1/4" NPT Self Priming Pump	1
1B	41105	41105	Pipe Plug, Fill, 3/4" NPT	1
2	BAC-12-150	40255	Volute, 1-1/2" x 1-1/4"	1
2	BAC-12-150-FLG	40257	Volute, 1-1/2" NPT & 220 Flange x 1-1/4" NPT & 200 Flange	1
2	BAC-12-150-SS	40259	Volute, 1-1/2" NPT & 220 Flange x 1-1/4" NPT & 200 Flange Stainless	1
2	BAC-12-150-SP	40254	Volute, Self-priming, 1-1/2" x 1-1/4"	1
3	BAC-23-A	40391	Nut, 3/8" NF, Cad Plated	1
3	BAC-23-A-SS	40392	Nut, 3/8" NF, Stainless Steel (Optional)	1
4+*	BAC-24-HYD-SS	40400	Washer, 3/8" Star, Stainless Steel	1
5	BAC-26-150-P	40446	Impeller, Valox, Keyway	1
5	BAC-26-150-CI	40445	Impeller, Cast Iron, Keyway (Optional)	1
6+	BAC-7V	40151	Seal, Carbon/Ceramic/Viton (includes 40160 O-Ring)	1
6*	BAC-7SC	40152	Seal, Silicon Carbide/Viton (includes 40160 O-Ring) (Optional)	1
6A+*	40160	40160	O-Ring, Shaft Seal	1
7+*	BAC-4-150	40015	O-Ring, Body Seal	1
8	BAC-14-150-HYD	40305	Mounting Frame (for 200 Series Hydraulic Motor)	1
9	40950	40950	Cap screw, 3/8" NC x 3/4" Hex Head	4
9	40930	40930	Cap screw, 3/8" NC x 3/4" Hex Head, Stainless Steel (optional)	4
10	BAC-54	41130	Slinger	1
11	BAC-33	40810	Snap Ring, Internal, BAC-14 Mounting Frame	2
12	BAC-37	40870	Ball Bearing, Sealed, BAC-6 Shaft	2
13	BAC-32	40790	SnapRing, External, BAC-6 Shaft	2
14	BAC-32-S	40795	Spacer for BAC-6 Shaft	1
15	BACH-25	40420	Key, 1/8" x 1/8" x 1/2"	1
16	BAC-6-HYD-SS	40061	Shaft, 5/8" Diameter, Keyway and Tang Slot, Stainless Steel	1
17	S200	40161	Seal Support Spacer for 200 Series HYD Motor	1
18	BAC-76-HYD	41380	Coupling for Hydraulic Motor, NOT USED ON 206N MOTOR	1
19	BAC-75-HYD-206N	41397	Hydraulic Motor, 7 GPM (Motor Only - No External Fittings)	1
19A	BAC-75-HYD-206	41372	Hydraulic Motor, 7 GPM (Includes Parts 17, 19 - 26)	1
20	41255	41255	Cap screw, 5/16" N.C. x 3-3/4" Socket Head (for 206N Motor)	4
21	41875	41875	O-ring, #8 SAE Fitting	2
22	BAC-78-8SAE	41441	Reverse Check Assembly, #8 SAE Male x 1/2" NPT Female	1
23	BAC-80-8SAE	41455	Body, Restrictor Orifice, #8 SAE Male x 1/2" NPT Female	1
24	41448	41448	O-ring, Orifice Insert	1
25	BAC-79-7	41456	Orifice, Restrictor Insert, .109 (206N)	1
26	LS-206N	41418	Flow Limiting Valve (206N), #8 SAE Male x 1/2" NPT Female	1
+	RK-FMC-150	52710	Repair Kit for FMC-150 Series Pump	-
*	RK-FMCSC-150	52711	Repair Kit for FMC-150 Series With Silicon Carbide Shaft Seal	-
#	RK-BAC-75-HYD-L	41374	Repair Kit for 200 Series Motor With High Pressure Lip Seal	-