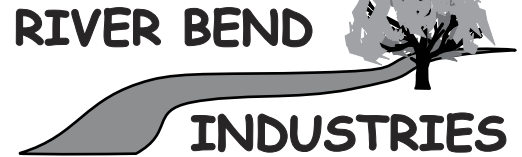
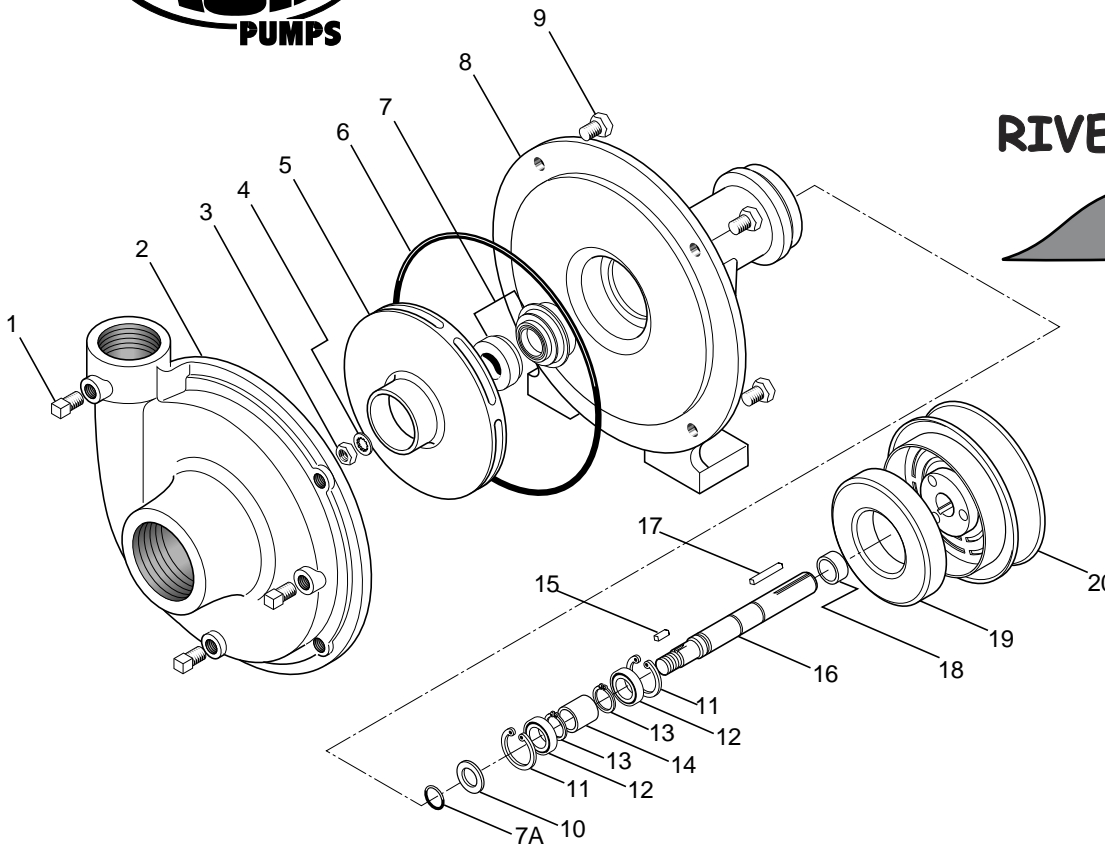




FMC-150-MAG



Moorhead, MN 56560
218-236-1818
800-365-3070
www.riverbendind.com



REF. #	PART NUMBER	EDP#	DESCRIPTION	REQ.
1	41110	41110	Pipe Plug, 3/8" NPT	3
1	41120	41120	Pipe Plug, 3/8" NPT, Stainless Steel (Optional)	3
2	BAC-12-150	40255	Volute, 1-1/2" x 1-1/4", Cast Iron	1
3	BAC-23A	40391	Locknut, 3/8" NF, Cadmium Plated	1
4*	BAC-24-HYD-SS	40400	Washer, 3/8" Stainless Steel	1
5	BAC-26-150-P	40446	Impeller, with Keyway, Thermoplastic	1
5	BAC-26-150	40445	Impeller, with Keyway, Cast Iron (Optional)	1
6*	BAC-4-150	40015	O-Ring, Volute Seal	1
7*	BAC-7V	40151	Seal, Vilon (Includes 40160 O-Ring)	1
7	BAC-7SC	40152	Seal, Silicon Carbide (Includes 40160 O-Ring)	1
7A*	40160	40160	O-Ring, Shaft Seal	1
8	BAC-14-150-MAG	40306	Mounting Frame, machined for clutch assembly	1
9	BAC-39	40950	Cap Screw, 3/8" NC x 3/4"	4
10	BAC-54	41130	Slinger	1
11	BAC-33	40810	Internal Snap Ring, Mounting Frame	2
12	BAC-37	40870	Sealed Ball Bearing	2
13	BAC-32	40790	External Snap Ring, Shaft	2
14	BAC-32-S	40795	Spacer, Shaft	1
15	BACH-25	40420	Key, 1/8" x 1/8" x 1/2"	1
16	BAC-6-150/200-SS	40056	Shaft, 5/8" with Keyway, Stainless Steel	1
16	BAC-6-150/200	40055	Shaft, 5/8" with Keyway (Optional)	1
17	BAC-50	41080	Key, 3/16" x 3/16" x 1-1/4"	1
18	41477	41477	Spacer, Clutch	1
19	41476	41476	Coil Ring, 12 Volt, DC Activated	1
20	41479	41479	5-1/4" Pulley Assembly Complete with Bearing and Clutch Driver	1
#	RK-FMC-150	52710	Repair Kit for FMC series	-
#	41475	41475	Magnetic Clutch Assembly	-

* Items included in pump repair kit.