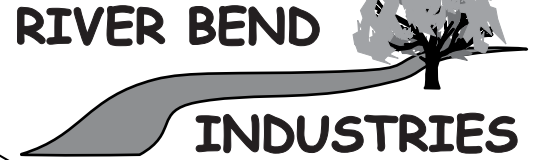
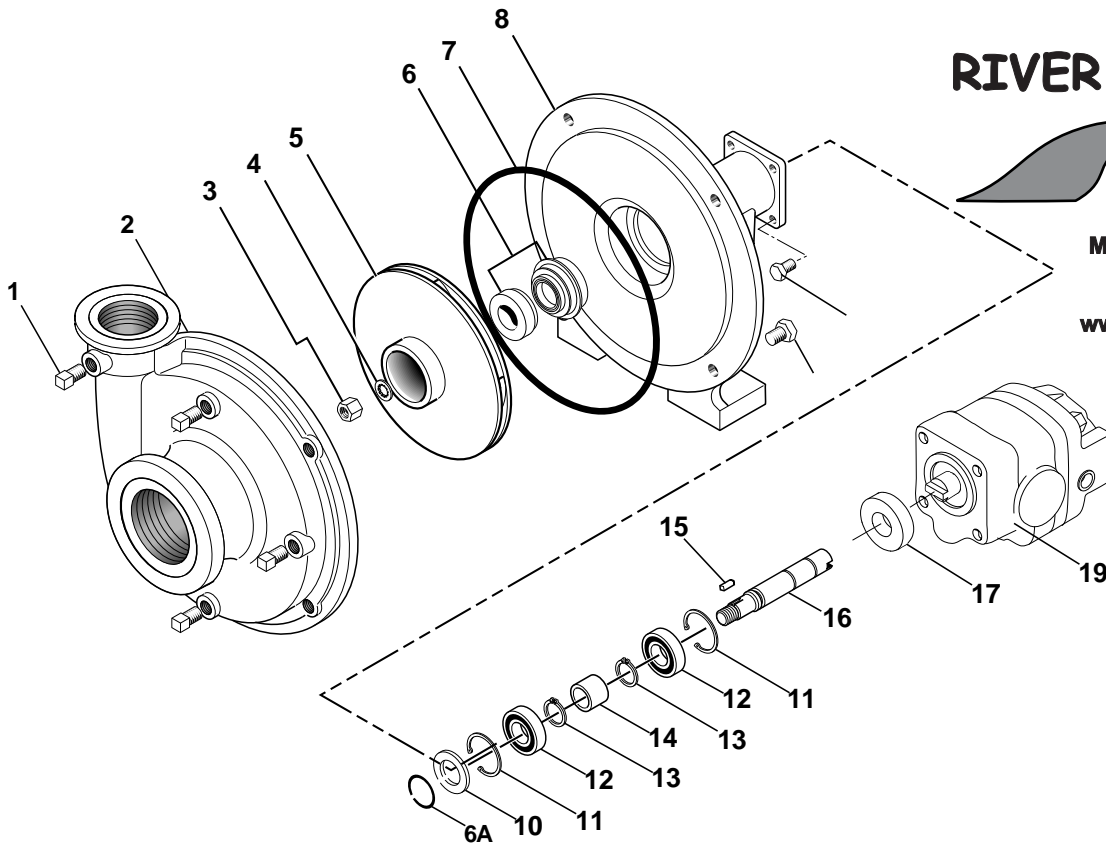




FMC-150F-HYD-304



Moorhead, MN 56560
 218-236-1818
 800-365-3070
www.riverbendind.com



REF.#	PART NUMBER	EDP. #	DESCRIPTION	REQ.
1	BAC-53	41110	Pipe Plug	3
1	41120	41120	Pipe Plug, Stainless Steel (Optional)	3
2	BAC-12-150-FLG	40250	Volute, 1-1/2" NPT & 220 Flange x 1-1/4" NPT & 200 Flange	1
3	BAC-23-A	40391	Nut, 3/8" NF, Cad Plated	1
3	BAC-23-A-SS	40392	Nut, 3/8" NF, Stainless Steel (Optional)	1
4	BAC-24-HYD-SS	40400	Washer, 3/8" Star, Stainless Steel	1
5	BAC-26-150-P	40446	Impeller, Valox, Keyway	1
5	BAC-26-150-CI	40445	Impeller Cast Iron, Keyway (Optional) 1	1
6*	BAC-7V	40151	Seal, Mechanical, Viton (Includes 40160)	1
6#	BAC-7SC	40152	Seal, Mechanical, Silicon Carbide, (Includes 40160), (Optional)	1
6A*#	40160	40160	O-Ring, Shaft Seal	1
7*#	BAC-4-150	40015	O-Ring, Body Seal	1
8	BAC-14-150-HYD-300	40304	Mounting Frame (For-300 Series Hydraulic Motor)	1
9	40950	40950	Cap Screw, 3/8" NC x 3/4" Hex Head	4
9	40930	40930	Cap Screw, 3/8" NC x 3/4" Hex Head, Stainless Steel (Optional)	4
10	BAC-54	41130	Slinger	1
11	BAC-33	40810	Snap Ring, Internal, BAC-14 Mounting Frame	2
12	BAC-37	40870	Ball Bearing, Sealed, BAC-6 Shaft	2
13	BAC-32	40790	Snap Ring, External, BAC-6 Shaft	2
14	BAC-32-S	40795	Spacer For BAC-6 Shaft	1
15	BACH-25	40420	Key, 1/8" x 1/8" x 1/2"	1
16	BAC-6-HYD-SS	40061	Shaft, 5/8" Diameter, Keyway And Tang Slot, Stainless Steel	1
17	S300	40162	Seal Support Spacer, 300 Series HYD Motor, Effective 6/00	1
18	41330	41330	Cag Screw, 5/16" NC x 3/4" Hex Head For 304 Motor	4
22	BAC-75-HYD-304	41381	Reverse Check Valve, #8 SAE Male x 1/2" NPT Female	1
*	RK-FMC-150	52710	Repair Kit For FMC-150 Series Pump	1
#	RK-FMCSC-150	52711	Repair Kit For FMC-150 Series With Silicon Carbide Shaft Seal	1
	RK-BAC-75-HYD-300-L	41362	Repair Kit For 300-L Series Motors	1

* Items Included In Pump Repair Kit.