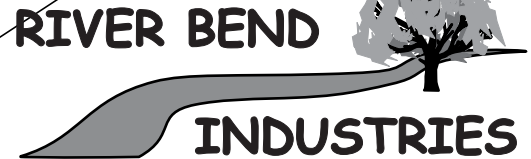
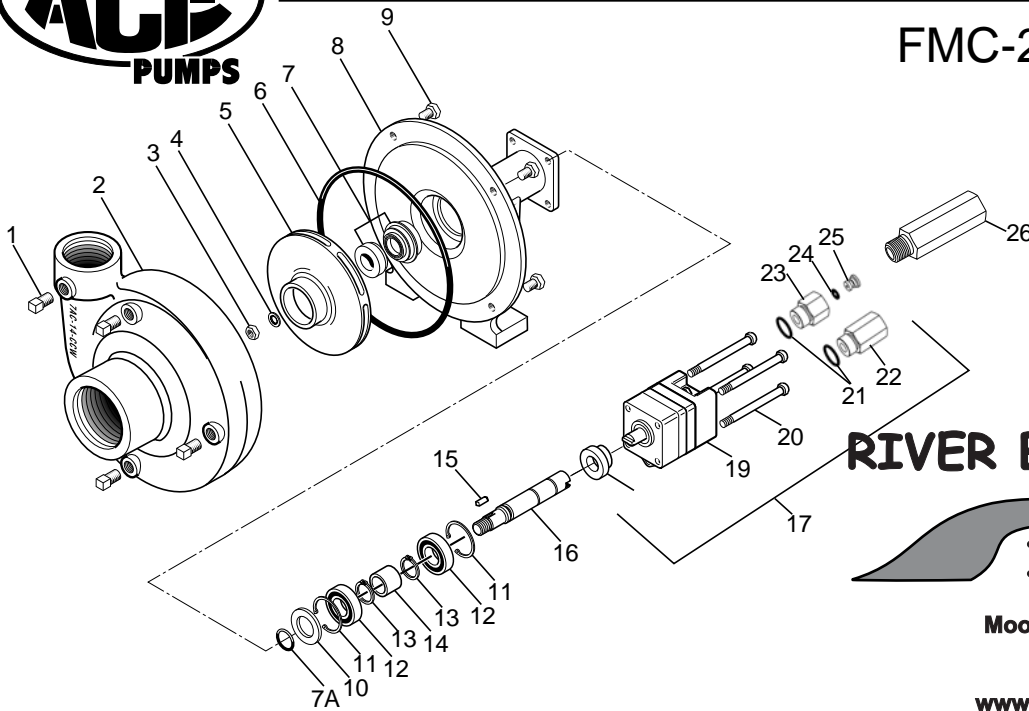




FMC-200-HYD-210



Moorhead, MN 56560
 218-236-1818
 800-365-3070
www.riverbendind.com

REF. #	PART NUMBER	EDP #	DESCRIPTION	REQ.
1	BAC-53	41110	Pipe Plug	4
1	41120	41120	Pipe Plug, Stainless Steel (optional)	4
2	7AC-14-CGW	41526	Volute, 2" x 1-1/2"	1
2	7AC-14-FLG	41530	Volute, 300 Series Flange x 220 Series Flange (200F models)	1
3	BAC-23-A	40391	Nut, 3/8" NF, Cad Plated	1
3	BAC-23-A-SS	40392	Nut, 3/8" NF, Stainless Steel (optional)	1
4+	BAC-24-HYD-SS	40400	Washer, 3/8" Star, Stainless Steel	1
5	BAC-26-200-CL	40433	Impeller, with Extended keyway, Cast Iron (optional)	1
5	BAC-26-200-P	40434	Impeller, with Extended keyway, Valox plastic	1
5'+	BAC-4A	40005	O-Ring, Body Seal	1
7'	BAC-7V	40151	Seal, Mechanical, Viton (includes 40160 O-Ring)	1
7+	BAC-7SC	40152	Seal, Mechanical Silicon Carbide (includes 40160 O-Ring) (Optional)	1
7A	40160	40160	O-Ring, Shaft Seal	1
8	BAC-14-HYD	40300	Mounting frame	1
9	40950	40950	Cap Screw, 3/8" NC x 3/4" Hex Head	4
9	40930	40930	Cap Screw, 3/8" NC x 3/4" Hex Head, Stainless Steel (optional)	4
10	BAC-54	41130	Slinger	1
11	BAC-33	40810	Snap Ring, Internal, BAC-14 Mounting Frame	2
12	BAC-37	40870	Ball Bearing, Sealed, BAC-6 Shaft	2
13	BAC-32	40790	Snap-Ring, External BAC-6 Shaft	2
14	BAC-32-S	40795	Spacer for BAC-6 Shaft	1
15	BAC-25	40425	Key, 118" x 118" x 13/16", Extended Keyway	1
16	BAC-6-HYD-200-SS	40063	Shaft, Extended Keyway, Tang Slot, Stainless Steel	1
17	BAC-75-HYD-210	41375	Hydraulic Motor, 10 GPM (Includes Parts 18-25)	1
16	S200	40161	Seal Support Spacer for 200 Series HYD motor	1
19	BAC-75-HYD-210N	41434	Hydraulic Motor, 10 GPM (Motor Only - No External Fittings)	1
20	41254	41254	Cap Screw, 5/16" N.C. x 4" Socket Head (for 210N Motor)	4
21	41675	41875	O-ring, #8 SAE Fitting	1
22	BAC-76-8SAE	41441	Reverse Check Valve, #8 SAE Male x 1/2" NPT Female	1
23	BAC-80-8SAE	41455	Adapter, Restrictor Body, #8 SAE Male x 1/2" NPT Female	1
24	41448	41448	O-Ring, Orifice Insert	1
25	BAC79-7	41456	Orifice, Restrictor Insert, .109 (210)	1
26	LS-210N	41423	Flow Limiting Valve (210N), #8 SAE Male x 1/2" NPT Female (optional)	1
*	RK-FMC	52700	Repair Kit for FMC Series Pump	-
+	RK-FMCSC	52706	Repair Kit for FMC Series Pump With Silicon Carbide Shaft Seal	-
#	RK-BAC-75-HYD-L	41362	Repair Kit for 200 Series Motor With High Pressure Lip Seal	-