



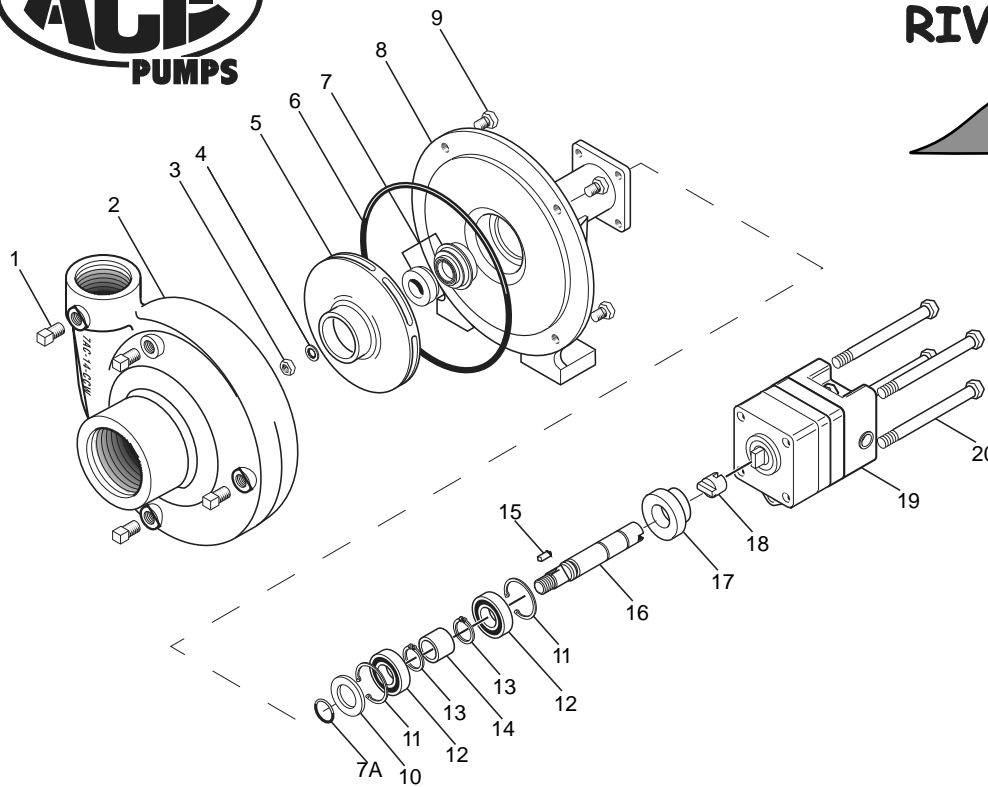
FMC-200-HYD-210

RIVER BEND



INDUSTRIES

Moorhead, MN 56560
 218-236-1818
 800-365-3070
www.riverbendind.com



REF. #	PART NUMBER	EDP #	DESCRIPTION	REQ.
1	BAC-53	41110	Pipe plug	4
1	41120	41120	Pipe plug, stainless steel (optional)	4
2	7AC-14-CCW	41526	Volute, 2" x 1-1/2"	1
3	BAC-23-A	40391	Nut, 3/8" NF, cad plated	1
4	BAC-24-HYD-SS	40400	Washer, 3/8" star, stainless steel	1
5	BAC-26-200-CI	40433	Impeller, with extended keyway, cast iron (serial E-9 and up)	1
5	BAC-26-200-P	40434	Impeller, with extended keyway, Valox plastic (available 12/99)	1
5	BAC-26-HYD-200-CI	41525	Impeller, cast iron, keyway (obsolete 6/1/99)	1
6*	BAC-4	40010	Gasket, 4 hole	1
6*	BAC-4A	40005	O-ring, body seal, effective April 1996	1
7*	BAC-7V	40151	Seal, mechanical, Viton (includes 40160 O-Ring)	1
7	BAC-7SC	40152	Seal, mechanical, silicon carbide (includes 40160 O-Ring) (optional)	1
7A	40160	40160	O-ring, shaft seal	1
8	BAC-14-HYD	40300	Mounting frame	1
9	40950	40950	Cap screw, 3/8" NC x 3/4" hex head	4
9	40930	40930	Cap screw, 3/8" NC x 3/4" hex head, stainless steel (optional)	4
10	BAC-54	41130	Slinger	1
11	BAC-33	40810	Snap ring, internal, BAC-14 mounting frame	2
12	BAC-37	40870	Ball Bearing, sealed, BAC-6 shaft	2
13	BAC-32	40790	Snap ring, external, BAC-6 shaft	2
14	BAC-32-S	40795	Spacer for BAC-6 shaft	1
15	BAC-25	40425	Key, 1/8" x 1/8" x 13/16", extended keyway (serial E-9 and up)	1
15	BACH-25	40420	Key, 1/8" x 1/8" x 1/2" (obsolete 6/99)	1
16	BAC-6-HYD-200-SS	40063	Shaft, extended keyway, tang slot, stainless steel (serial E-9 and up)	1
16	BAC-6-HYD-SS	40061	Shaft, 5/8" dia., keyway, tang slot, stainless steel (obsolete 6/99)	1
17	S200	40161	Seal support spacer for 200 Series HYD motor, effective 6/00	1
18	BAC-76-HYD	41380	Coupling for hydraulic motor	1
19	BAC-75-HYD-210	41375	Hydraulic motor, 8GPM	1
20	41257	41257	Cap screw, 5/16" N. C. x 4" hex head, motor to pump	4
#	RK-FMC	52700	Repair kit for FMC series pump	-
#	RK-BAC-75-HYD	41371	Repair kit for 200 Series hydraulic motor	-
#	RK-BAC-75-HYD-L	41362	Repair kit for 200 Series -L hydraulic motor (effective 10/1/99)	-

* Items included in pump repair kit.