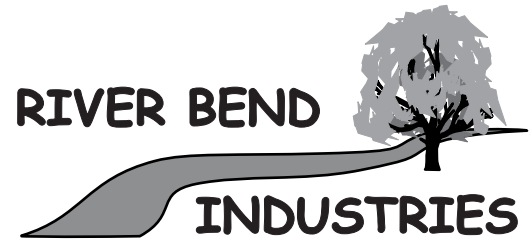
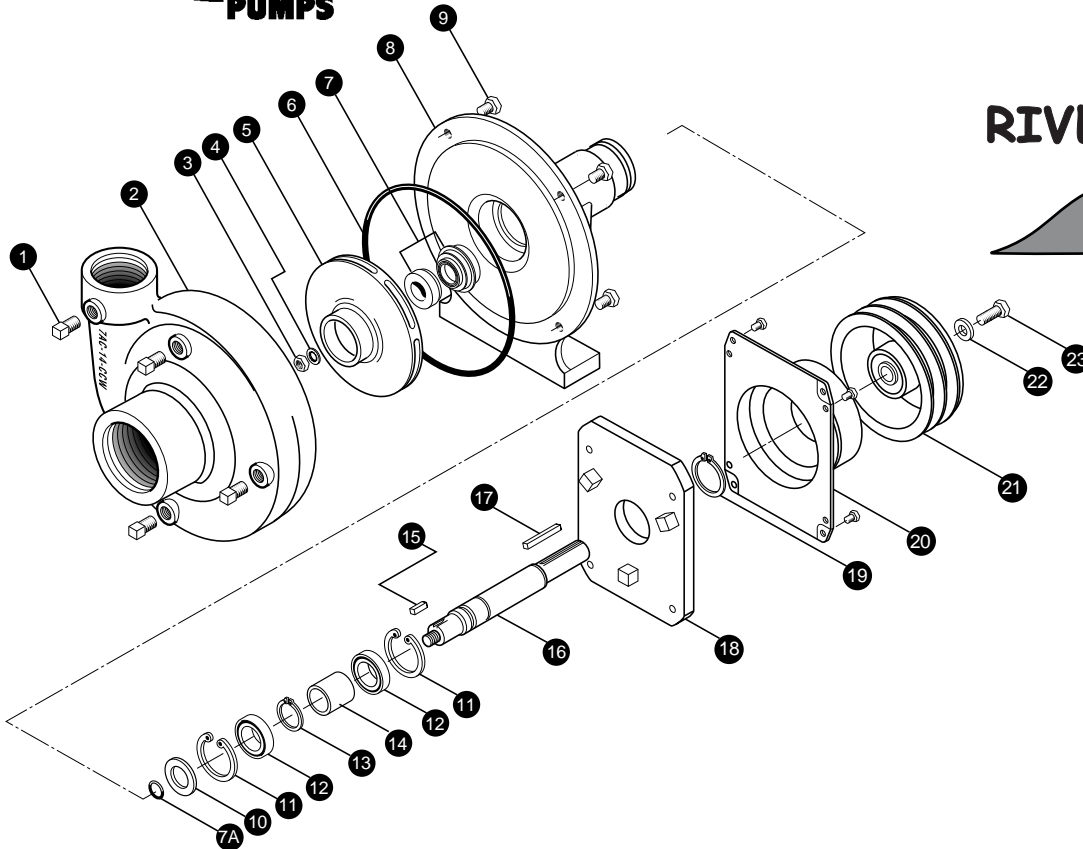




# FMC-200-MAG-DX



Moorhead, MN 56560  
 218-236-1818  
 800-365-3070  
[www.riverbendind.com](http://www.riverbendind.com)



REF.#	PART#	EDP#	DESCRIPTION	QTY.
1	BAC-53	41110	Pipe plug, 1/8" NPT	4
1	41120	41120	Pipe plug, stainless steel, 1/8" NPT (optional)	4
2	7AC-14-CCW	41526	Volute, 2" x 1-1/2". cast iron	1
3	BAC-23-A	40391	Nut, 3/8" NF Hex, cad plated locknut	1
4	BAC24-HYD-SS	40400	Washer, 3/8", stainless steel	1
5	BAC-26-200-P	40434	Impeller, 5-1/2" dia, extended keyway, thermoplastic	1
5	BAC-26-200-CI	40433	Impeller, 5-1/2" dia, extended keyway, cast iron (optional)	1
6	BAC-4A	40005	O-Ring, BAC-12 Volute seal	1
7	BAC-7V	40151	Seal, Viton mechanical (includes O-Ring 40160)	1
7	BAC-7SC	40152	Seal, silicon carbide, mechanical (optional)	1
7A	40160	40160	O-Ring, BAC-6X shaft	1
8	BAC-14X-MIA	40313	Mounting frame, x series, machined for idler arm	1
9	40950	40950	Cap screw, 3/8" NC x 3/4" Hex head	4
9	40930	40930	Cap screw, 3/8" NC x 3/4" Hex head SS (Optional)	4
10	BAC-54	41130	Slinger	1
11	BAC-33X	40812	Snap ring, internal, BAC-14X mounting frame	2
12	BAC-37X	40872	Bearing, BAC-6X driven shaft	2
13	BAC-32X	40792	Snap ring, external, BAC-6X driven shaft	1
14	BAC-32X-S	40796	Spacer for BAC-6X shaft	1
15	BAC-25	40425	Key, 1/8" x 1/8" x 13/16". wotj leuwau	1
16	BAC-6X-200-D-SS	40059	Shaft, heavy duty, X series driven shaft with keyway	1
17	BAC-50	41080	Key, 3/16" x 3/16" x 1-1/4"	1
18	41473	41473	Adapter plate, X clutch	1
19	BAC-36X	40855	Snap ring, external	1
20	41496	41496	Coil ring with 4 cap screws, -D clutch, 12 volt DC activated	1
21	41497	41497	Pulley assembly, 5" diameter, -D clutch	1
22	41494	41494	Washer, -D clutch attachment	1
23	GE-60	42230	Cap Screw, 5/16" NF x 3/4" -D clutch attachment	1
*	RK-FMC	52700	Repair kit for FMC series	-
+	RK-FMCSC	52706	Repair kit for FMC series with silicon carbide seal	-
#	41493	41493	Magnetic Clutch assembly, includes 41496 and 41497	-