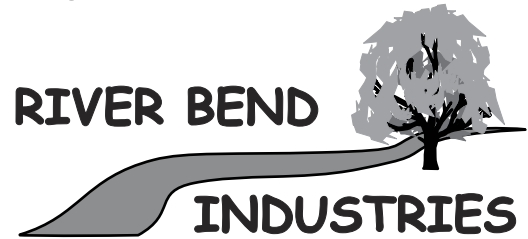
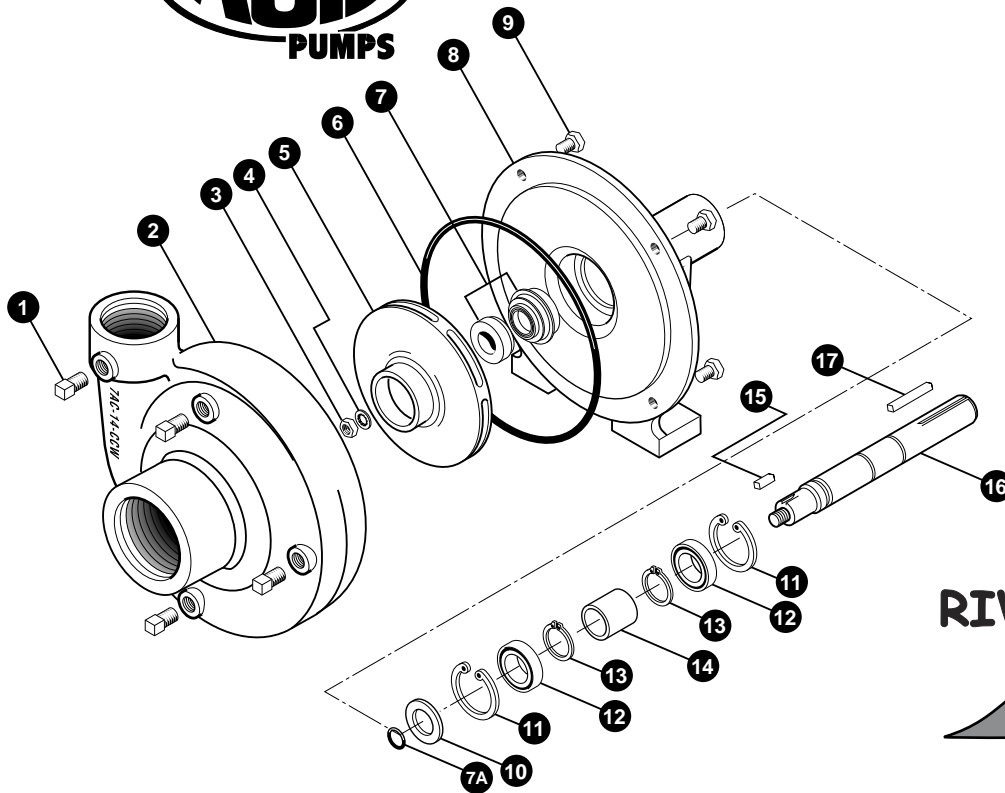




FMC-200



Moorhead, MN 56560
 218-236-1818
 800-365-3070
www.riverbendind.com

REF. #	PART #	EDP #	DESCRIPTION	REQ.
1	41110	41110	Pipe plug, 1/8" NPT	4
1	41120	41120	Pipe plug, 1/8" NPT, stainless steel (optional)	4
2	7AC-14-CCW	41526	Volute, 2" x 1-1/2", cast iron	1
3	BAC-23-A	40391	Nut, 3/8" NF Hex, cad plated locknut	1
4	BAC-24-HYD-SS	40400	Washer, 3/8", stainless steel	1
5	BAC-26-200-CI	40433	Impeller, 5-1/2" dia., extended keyway, cast iron, effective Dec. '98	1
5	BAC-26-HYD-200-CI	41525	Impeller, 5-1/2" dia., with keyway, cast iron	1
*6	BAC-4A	40005	"O" Ring for BAC-12 volute seal, effective Apr. '96	1
*6	BAC-4	40010	Gasket, 4 hole	1
*7	BAC-7V	40151	Seal, Viton mechanical seal (includes 40160 "O" Ring)	1
7	BAC-7SC	40152	Seal, Silicon carbide mechanical seal (includes 40160 "O" Ring) (optional)	1
7A	40160	40160	"O" Ring for BAC-6 shaft	1
8	BAC-14-F	40310	Mounting frame	1
9	40930	40930	Cap screw, 3/8" NC x 3/4" Hex head, stainless steel (optional)	4
9	40950	40950	Cap screw, 3/8" NC x 3/4" Hex head	4
10	BAC-54	41130	Slinger	1
11	BAC-33	40810	Snap ring, internal, BAC-14 mounting frame	2
12	BAC-37	40870	Bearing, BAC-6 driven shaft	2
13	BAC-32	40790	Snap ring, external, BAC-6 driven shaft	2
14	BAC-32-S	40795	Spacer for BAC-6 shaft	1
15	BAC-25	40425	Key, 1/8" x 1/8" x 13/16", extended keyway, effective Dec. '98	1
15	BACH-25	40420	Key, 1/8" x 1/8" x 1/2"	1
16	BAC-6-150/200	40055	Shaft, 5/8" Driven shaft with keyway (optional)	1
16	BAC-6-150/200-SS	40056	Shaft, 5/8" Driven shaft with keyway, stainless steel	1
16	BAC-6-200-SS	40057	Shaft, 5/8" Driven, extended keyway, stainless steel, effective Dec. '98	1
17	BAC-50	41080	Key, 3/16" x 3/16" x 1-1/4"	1
#	RK-FMC	052700	Repair kit for FMC series	-

* Items included in pump repair kit.