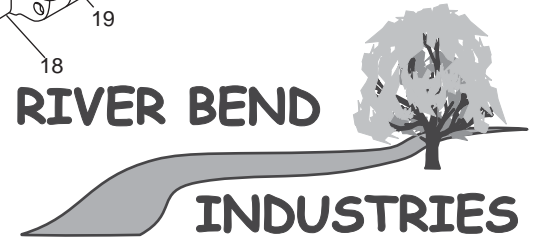
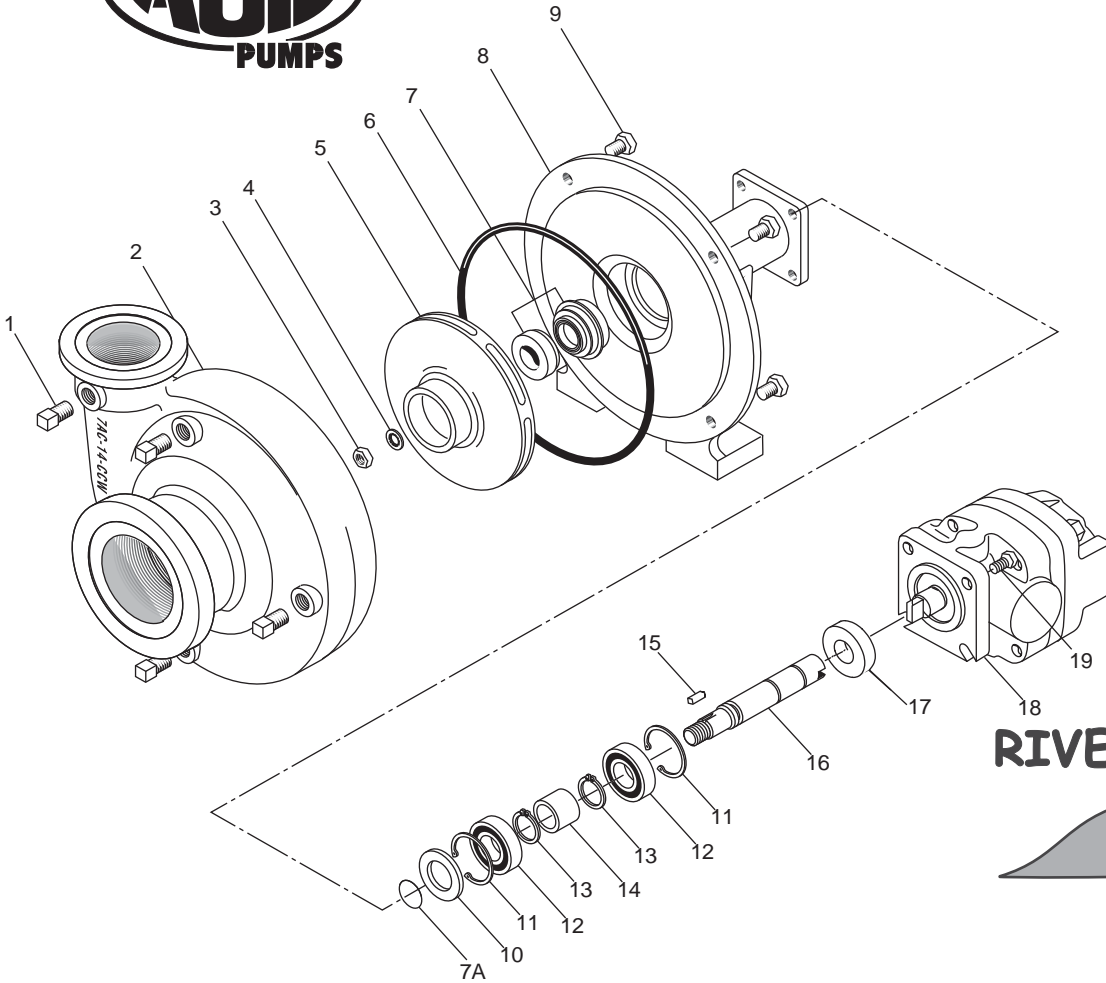




FMC-200F-HYD-304



Moorhead, MN 56560
 218-236-1818
 800-365-3070
www.riverbendind.com

REF. #	PART NUMBER	EDP#	DESCRIPTION	REQ.
1	BAC-53	41110	Pipe Plug	4
1	41120	41120	Pipe Plug, Stainless Steel (optional)	4
2	7AC-14-FLG	41530	Volute, 300 Standard Port Flange x 220 Full Port Flange	1
3	BAC-23-A	40391	Nut, 3/8" NF, Cad Plated	1
4	BAC-24-HYD-SS	40400	Washer, 3/8" Star, Stainless Steel	1
5	BAC-26-200-CI	40433	Impeller, with Extended Keyway, Cast Iron (optional)	1
5	BAC-26-200-P	40434	Impeller, with Extended Keyway, Thermoplastic	1
*6	BAC-4A	40005	O-Ring, Body Seal, Effective April 1996	1
*7	BAC-7V	40151	Seal, Mechanical, Viton (includes 40160 O-Ring)	1
7	BAC-7SC	40152	Seal, Mechanical, Silicon Carbide (includes 40160 O-Ring) (optional)	1
7A	40160	40160	O-Ring, Shaft Seal	1
8	BAC-14-HYD-300	40301	Mounting Frame (for -300 series hydraulic motor)	1
9	40950	40950	Cap Screw, 3/8" NC x 3/4" Hex Head	4
9	40930	40930	Cap Screw, 3/8" NC x 3/4" Hex Head, Stainless Steel (optional)	4
10	BAC-54	41130	Slinger	1
11	BAC-33	40810	Snap Ring, Internal, BAC-14 Mounting Frame	2
12	BAC-37	40870	Ball Bearing, Sealed, BAC-6 Shaft	2
13	BAC-32	40790	Snap Ring, External, BAC-6 Shaft	2
14	BAC-32-S	40795	Spacer for BAC-6 Shaft	1
15	BAC-25	40425	Key, 1/8" x 1/8" x 13/16", Extended Keyway (Date Code E-9 and Up)	1
16	BAC-6-HYD-200-SS	40063	Shaft, Extended Keyway, Tang, Stainless Steel (Date Code E-9 and Up)	1
17	S300	40162	Seal Support Spacer for 300 Series HYD motor, effective 6/00	1
18	BAC-75-HYD-304	41381	Hydraulic Motor, 11 GPM	1
19	41330	41330	Cap Screw, 5/16" N. C. x 3/4" Hex Head, Motor to Pump	4
#	RK-FMC	52700	Repair Kit for FMC Series pump	-
#	RK-FMCSC	52706	Repair Kit for FMC Series pump with Silicon Carbide Seal	-
#	RK-BAC-75-HYD-300-L	41362	Repair Kit for 300 Series -L motor	-

* Items included in pump repair kit.