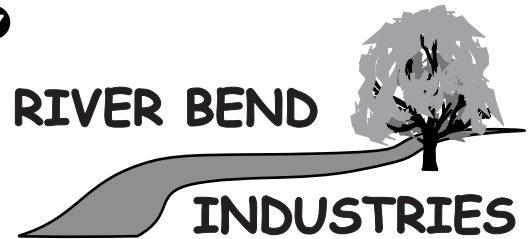
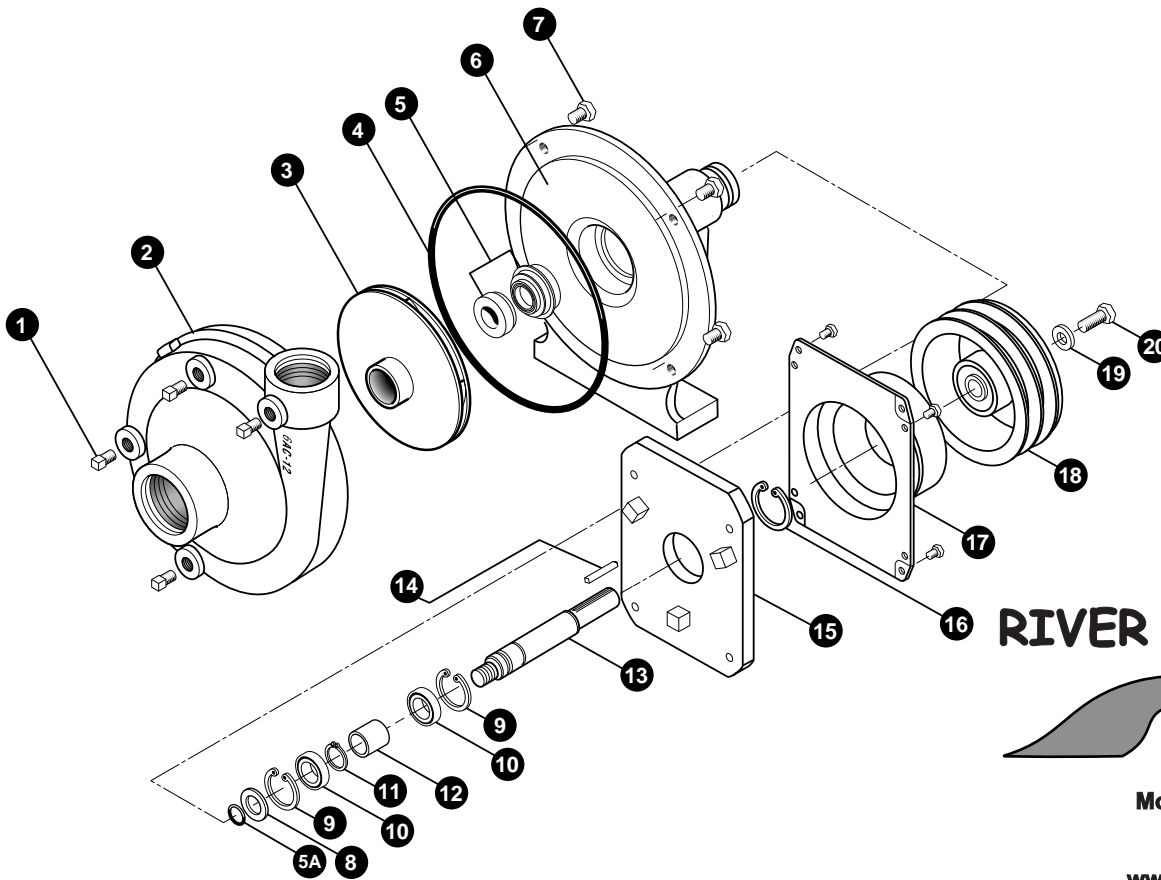




# FMC-CW-150-MAG-DX3



Moorhead, MN 56560  
 218-236-1818  
 800-365-3070  
[www.riverbendind.com](http://www.riverbendind.com)

REF.	# PART#	EDP#	DESCRIPTION	REQ.
1	41110	41110	Pipe plug, 1/8" NPT	4
2	6AC-12	30130	Volute, 1-1/2" x 1-1/4", clockwise rotation, cast iron	1
3	BAC-26-CW-150-P	41510	Impeller, 5-1/2" dia., right hand NF thread, thermoplastic	1
4*+	BAC-4A	40005	"O" Ring for BAC-12 volute seal, effective Apr. '96	1
5*	BAC-7V	40151	Seal, Viton, mechanical (includes 40160 "O" Ring)	1
5+	BAC-7SC	40152	Seal, Silicon Carbide, mechanical (includes 40160 "O" Ring)	1
5A*+	40160	40160	"O" Ring for BAC-6 shaft	1
6	BAC-14X3-MIA	40316	Mounting frame, -X series machined for idler arm	1
7	40950	40950	Cap screw, 3/8"NC x 3/4" Hex head	4
8	BAC-54	41130	Slinger	1
9	BAC-33X	40812	Snap ring, internal, BAC-14 mounting frame	2
10	BAC-37X	40872	Bearing, BAC-6 driven shaft	2
11	BAC-32X	40792	Snap ring, external, BAC-6 driven shaft	1
12	BAC-32X-S	40796	Spacer for BAC-6 shaft	1
13	BAC-6X-CW-D-SS	41507	Shaft, 5/8" Driven, -D clutch, right hand NF thread, stainless steel	1
14	BAC-50	41080	Key, 3/16" x 3/16" x 1-1/4"	1
15	41473	41473	Adapter plate, -D clutch, X Series	1
16	BAC-36X	40855	Snap ring, external, X series pump	1
17	41496	41496	Coil ring with 4 cap screws, - D clutch, 12 volt, DC activated	1
18	41497	41497	5" Pulley assy., -D clutch	1
19	41494	41494	Washer, -D clutch attachment	1
20	GE-60	42230	Cap Screw, 5/16" NF x 3/4", -D clutch attachment	1
*	RK-FMC	52700	Repair kit for FMC series with BAC-7V shaft seal	-
+	RK-FMCSC	52706	Repair kit for FMC series with BAC-7SC shaft seal	-
#	41493	41493	Magnetic Clutch assembly, includes 41492, 41496, and 41497	-