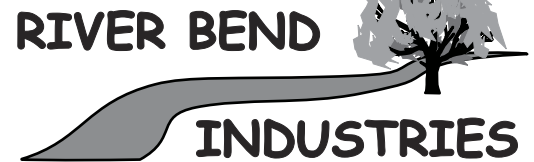
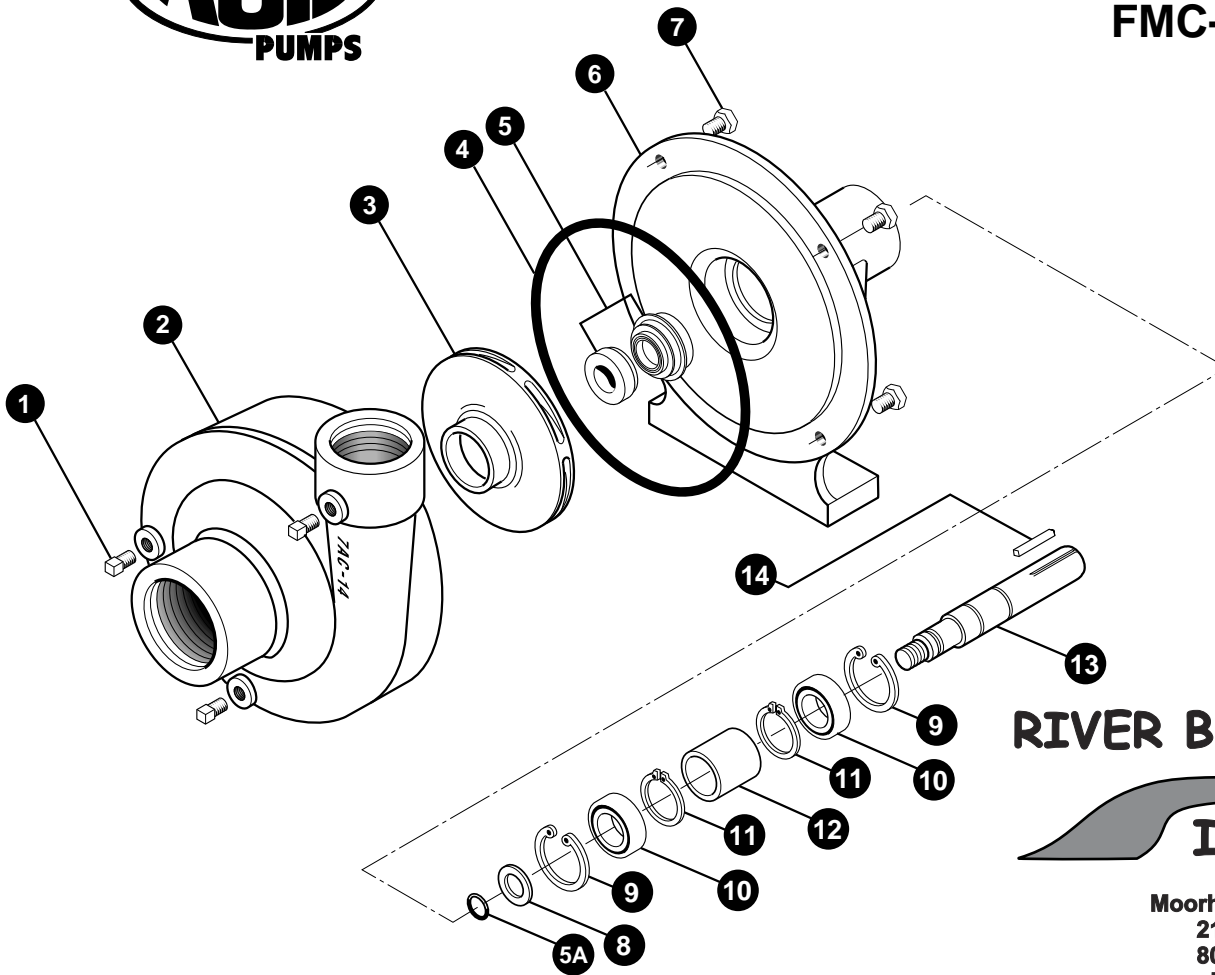




FMC-CW-200-X



Moorhead, MN 56560
 218-236-1818
 800-365-3070
www.riverbendind.com

REF. #	PART#	EDP#	DESCRIPTION	REQ.
1	41110	41110	Pipe plug, 1/8" NPT	4
1	41120	41120	Pipe plug, 1/8" NPT, stainless steel (optional)	4
2	7AC-14-4	30145	Volute, 2" x 1-1/2", clockwise rotation, cast iron	1
3	BAC-26-CW-200-P	41523	Impeller, 5-1/8" dia., right hand NF thread, thermoplastic	1
3	BAC-26-CW-200-CI	41520	Impeller, 5-1/8" dia., right hand NF thread, cast iron (optional)	1
*4	BAC-4A	40005	"O" Ring for BAC-12 volute seal, effective Apr. '96	1
*4	BAC-4	40010	Gasket, 4 hole	1
*5	BAC-7V	40151	Seal, Viton mechanical seal (includes 40160 "O" ring)	1
5	BAC-7SC	40152	Seal, Silicon Carbide Mech Seal (includes 40160 "O" ring)	1
5A	40160	40160	"O" Ring for BAC-6 shaft	1
6	BAC-14X-F	40309	Mounting frame, X series	1
7	40930	40930	Cap screw, 3/8" NC x 3/4" Hex head, stainless steel (optional)	4
7	40950	40950	Cap screw, 3/8" NC x 3/4" Hex head	4
8	BAC-54	41130	Slinger	1
9	BAC-33X	40812	Snap ring, internal, BAC-14X mounting frame	2
10	BAC-37X	40872	Bearing, BAC-6X driven shaft	2
11	BAC-32X	40792	Snap ring, external, BAC-6X driven shaft	2
12	BAC-32X-S	40796	Spacer for BAC-6X shaft	1
13	BAC-6X-CW-SS	41504	Shaft, 3/4" Driven, right hand NF thread, stainless steel	1
14	BAC-50	41080	Key, 3/16" x 3/16" x 1-1/4"	1
#	RK-FMC	52700	Repair kit for FMC series	-
#	RK-FMCSC	52706	Repair kit for FMC series with BAC-7SC shaft seal	-

* Parts included in repair kit