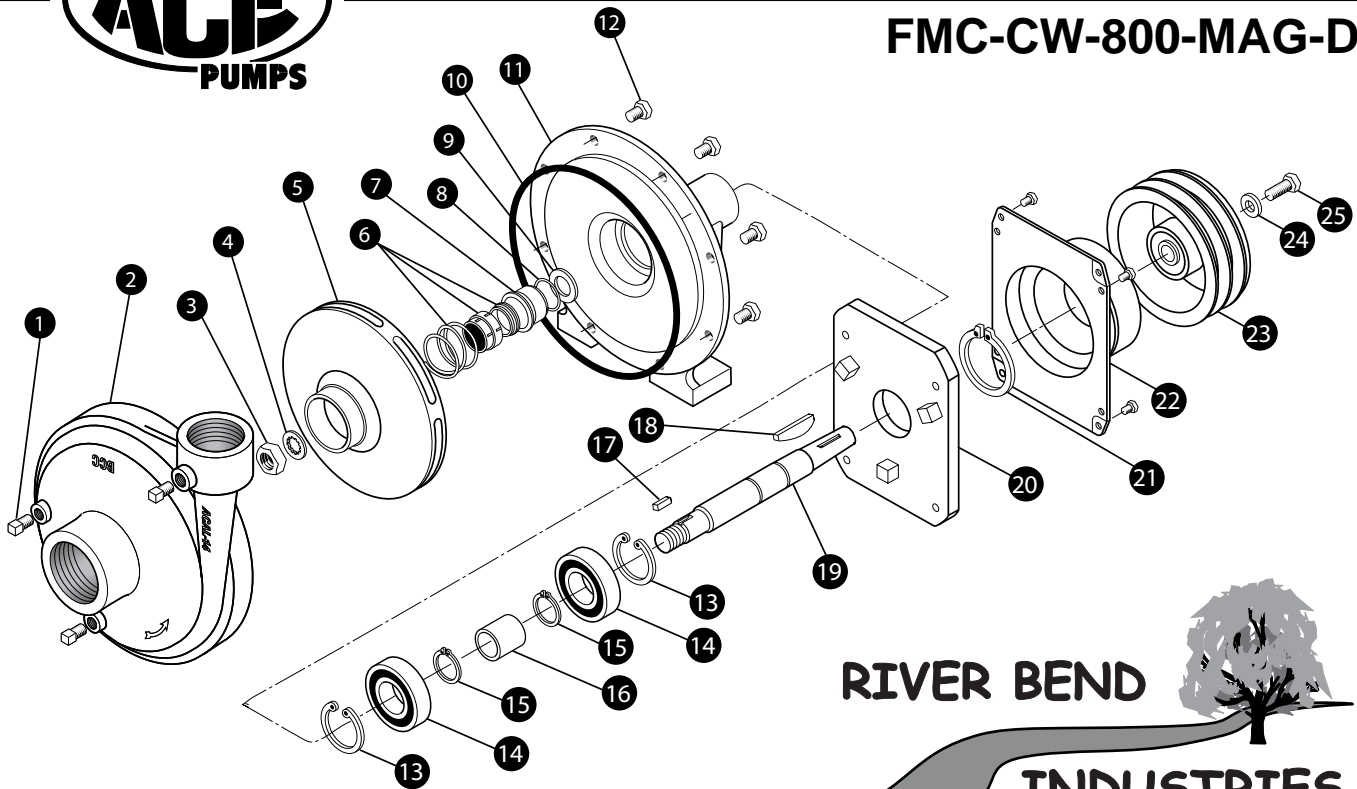





# FMC-CW-800-MAG-D



**RIVER BEND**  
  
**INDUSTRIES**

Moorhead, MN 56560  
 218-236-1818  
 800-365-3070  
[www.riverbendind.com](http://www.riverbendind.com)

REF. #	PART NO.	EDP NO.	DESCRIPTION	REQ.
1	BAC-53	41110	Pipe plug, 1/8" NPT	3
1	41120	41120	Pipe plug, 1/8" NPT, stainless steel (optional)	3
2	ACAL-14	30160	Volute, 2" x 1-1/2"	1
3	45195	45195	Nut, 9/16" - 18 lock nut, stainless steel	1
4	BACG-44-A	45191	Lockwasher, 9/16" ID, stainless steel	1
5	ACAL-26-75	30555	Impeller with keyway, 8" diameter	1
6*	TYPE 21-984	30255	Seal, .984" Type 21	1
6+	TYPE 21-984-SC	30256	Seal, .984" Type 21, silicon carbide (optional)	1
7	BACG-90M	45270	Seal cartridge for mechanical seal	1
8*+	73010jk	73010	O-Ring for seal cartridge	1
9	GE-54	42220	Slinger	1
10*+	ACAL-4	30009	O-ring for ACAL-14 volute seal	1
11	ACAL-15-MAG-D	30168	Mounting frame, machined to accept MAG-D clutch	1
12	40950	40950	Cap screw, 3/8" NC x 3/4" hex head	8
12	40930	40930	Cap screw, 3/8" NC x 3/4" hex, stainless steel (optional)	8
13	BACG-33	45165	Snap ring, internal	2
14	ACAL-37-DRB	30179	Bearing, double row	2
15	ACAL-32	30174	Snap ring, external	2
16	ACAL-32-S-A	30176	Spacer for ACAL-6 Shaft	1
17	41079	41079	Key for impeller, 3/16" x 3/16" x 1/2"	1
18	41088	41088	Woodruff key, #505	1
19	ACAL-6-SS-A	30019	Shaft, stainless steel, for FMC-CW-800-MAG-D	1
20	41484	41484	Adapter plate, MAG-D clutch	1
21	41483	41483	Snap ring, external, for adapter plate	1
22	41487	41487	Coil ring, MAG-D clutch	1
23	41482	41482	Pulley assembly, MAG-D clutch	1
24	41494	41494	Washer	1
25	GE-60	42230	Cap screw	1
#	41481	41481	Clutch assembly, INCLUDES 41482 & 41487	-
*	RK-FMC-CW-800	52715	Repair kit for FMC-CW-800 pumps	-
+	RK-FMCS-CW-800	52716	Repair kit for FMC-CW-800 pumps, silicon carbide shaft seal	-