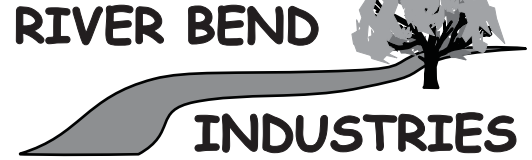
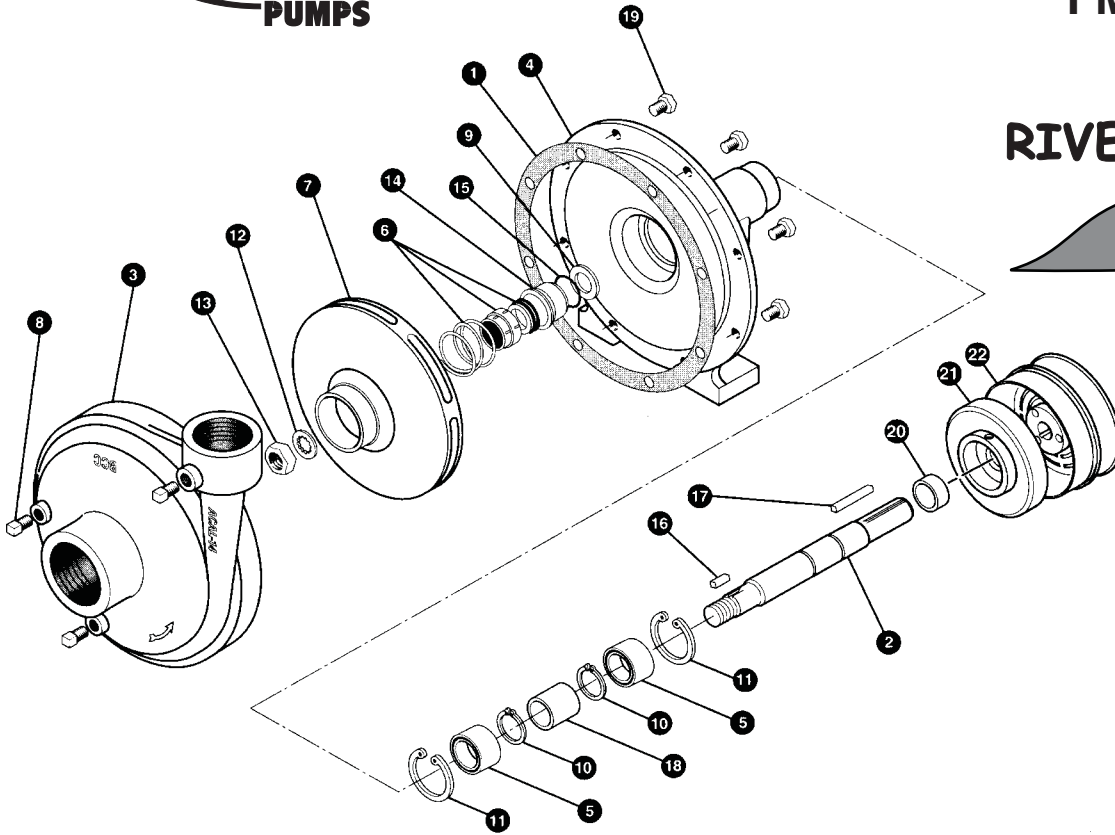




FMC-CW-800-MAG



Moorhead, MN 56560
 218-236-1818
 800-365-3070
www.riverbendind.com



REF. #	PART NO.	EDP NO.	DESCRIPTION	REQ.
1*	ACAL-4	30009	"O" ring for ACAL-14 volute seal	1
1	9000	31130	Gasket, 8 holes	1
2	ACAL-6-SS-A	30017	Shaft, stainless steel	1
3	ACAL-14	30160	Volute, 2" x 1-1/2"	1
4	ACAL-15-MAG	30166	Mounting frame, machined to accept magnetic clutch	1
5	ACAL-37-DRB	30179	Bearing, double row	2
6*	TYPE 21-984	30255	Seal, .984" Type 21	1
6	TYPE 21-984-SC	30256	Seal, .984" Type 21, silicon carbide (optional)	1
7	ACAL-26-75	30555	Impeller with keyway, 8" diameter	1
8	BAC-53	41110	Pipe plug, 1/8" NPT	3
8	41120	41120	Pipe plug, 1/8" NPT, stainless steel (optional)	3
9	GE-54	42220	Slinger	1
10	ACAL-32	30174	Snap ring, external	2
11	BACG-33	45165	Snap ring, internal	2
12	BACG-44-A	45191	Lockwasher, 9/16" ID, stainless steel	1
13	45195	45195	Nut, 9/16" - 18, stainless steel	1
14	BACG-90M	45270	Seal cartridge for mechanical seal	1
15*	73010	73010	"O" Ring for seal cartridge	1
16	41079	41079	Key for impeller, 3/16" x 3/16" x 1/2"	1
17	BAC-50	41080	Key for shaft, 3/16" x 3/16" x 1-1/4"	1
18	ACAL-32-S-A	30176	Spacer for ACAL-6 Shaft	1
19	40950	40950	Cap screw, 3/8" NC x 3/4" hex head	8
20	41489	41489	Spacer, magnetic clutch	1
21	41487	41487	Coil ring, 12 volt DC activated	1
22	41486	41486	5" Pulley assembly with bearing and clutch driver	1
#	41485	41485	Clutch assembly, heavy duty clutch rated at 30 ft-lbs torque, complete with pulley, clutch driver, coil ring, and spacer.	1
*	RK-FMC-CW-800	52715	Repair kit for FMC-CW-800-MAG pump	1