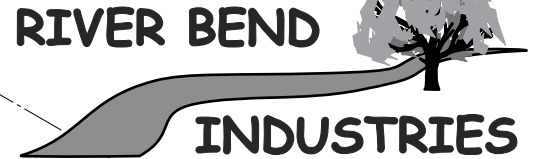
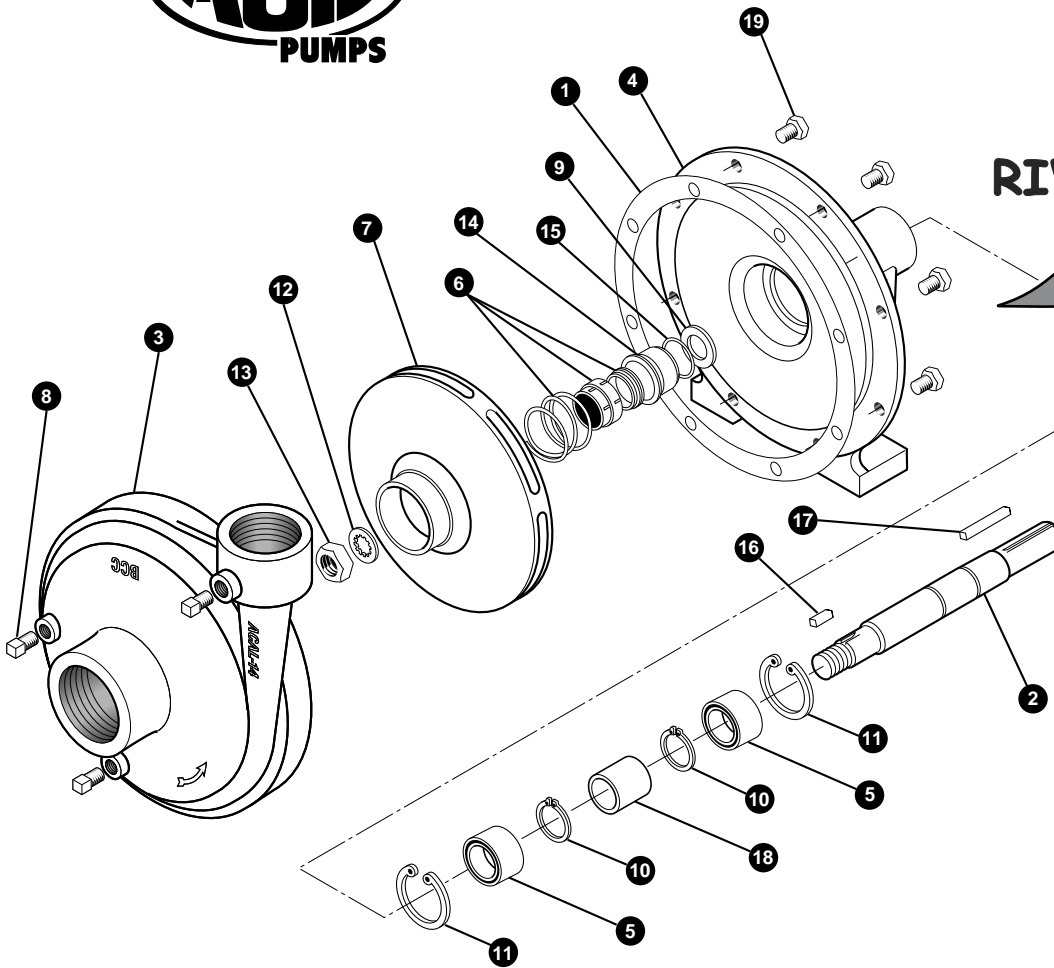




FMC-CW-800



Moorhead, MN 56560
 218-236-1818
 800-365-3070
www.riverbendind.com



REF. #	PART NO.	EDP NO.	DESCRIPTION	REQ.
1*	ACAL-4	30009	O-Ring for ACAL-14 volute seal	1
1	9000	31130	Gasket, 8 hole, obsolete Jan.96	1
2	ACAL-6-SS-A	30017	Shaft, stainless steel	1
2	ACAL-6	NLA	Shaft, old style for single row bearings Convert to new style shaft with double bearing	1
3	ACAL-14	30160	2"x 1-1/2" Volute	1
4	ACAL-15	30165	Mounting frame	1
5	ACAL-37-DRB	30179	Bearing, double row (new style shaft)	2
5	806	10650	Bearing, single row (old style shaft)	2
6*	TYPE 21-984	30255	Seal, .984" type 21	1
6	TYPE 21-984-SC	30256	Seal, .984" type 21, silicon carbide (optional)	1
7	ACAL-26-75	30555	8" Impeller with keyway	1
8	BAC-53	41110	1/8" NPT pipe plug	3
8	41120	41120	1/8" NPT pipe plug, stainless steel (optional)	3
9	GE-54	42220	Slinger	1
10	ACAL-32	30174	External snap ring	2
11	BACG-33	45165	Internal snap ring	2
12	BACG-44-A	45191	9/16" Lockwasher, stainless steel	1
13	45195	45195	9/16" - 18 Lock nut, hex	1
14	BACG-90M	45270	Seal cartridge for mechanical seal	1
15*	73010	73010	O-Ring for seal cartridge	1
16	41079	41079	3/16" x 3/16" x 1/2" Impeller key	1
17	BAC-50	41080	3/16" x 3/16" x 1-1/4" Shaft key	1
18	ACAL-32-S-A	30176	Spacer for ACAL-6 Shaft	1
19	40950	40950	3/8" NC x 3/4" hex head cap screw	8
#	RK-FMC-CW-800	52715	Repair kit for FMC-CW-800 pump	1

* Items included in pump repair kit.