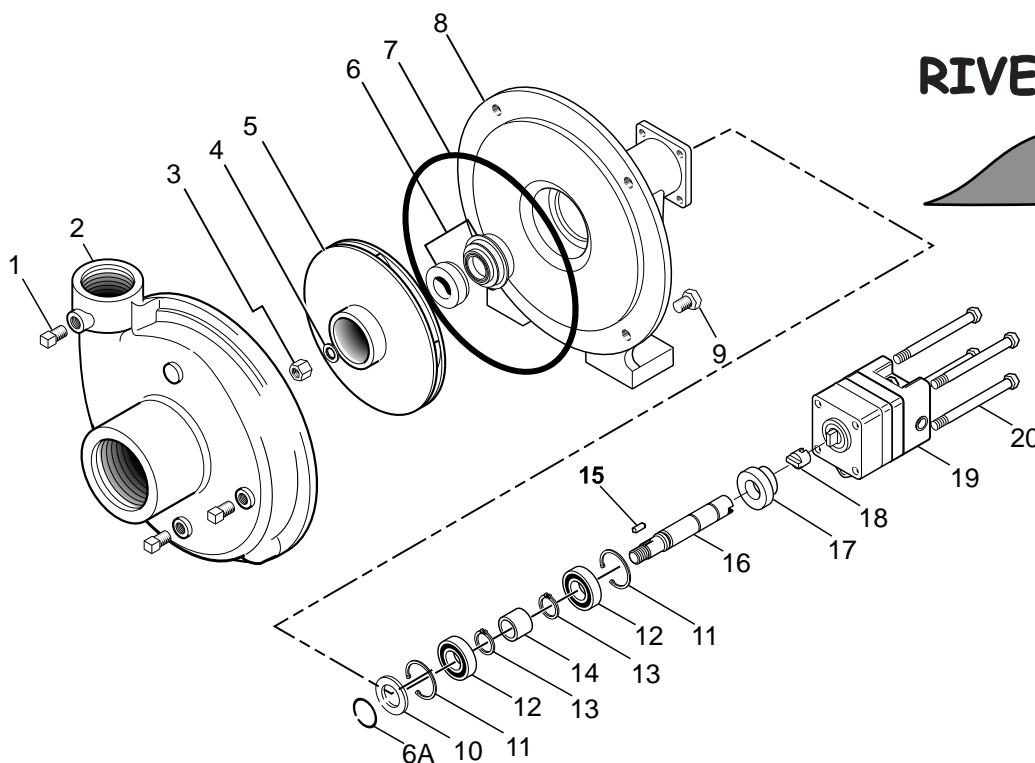
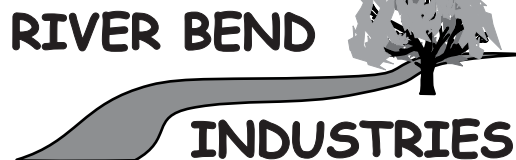




FMC-HYD-202 FMC-HYD-203



Moorhead, MN 56560
218-236-1818
800-365-3070
www.riverbendind.com

REF. #	PART NUMBER	EDP. #	DESCRIPTION	REQ.
1	41110	41110	Pipe Plug	3
1	41120	41120	Pipe Plug, Stainless Steel (Optional)	3
2	BAC-12	40250	Volute, 1-1/4" x 1"	1
3	BAC-23-A	40391	Nut, 3/8" NF, Cad Plated	1
4	BAC-24-HYD-SS	40400	Washer, 3/8" Star, Stainless Steel	1
5	BAC-26-HYD-VALOX	40440	Impeller, Valox, Keyway	1
5	BAC-26-HYD-CI	40442	mpeller, Cast Iron, Keyway (Optional)	1
6*	BAC-7V	40151	Seal, Mechanical, Viton (Includes 40160)	1
6	BAC-7SC	40152	Seal, Mechanical, Silicon Carbide, (Includes 40160), (Optional)	1
6A	10160	40160	O-Ring, Shaft Seal	1
7*	BAC-4	40010	Gasket, 4 Hole (Obsolete 1996)	1
7*	BAC-4A	40005	O-Ring, Body Seal	1
8	BAC-14-HYD	40300	Mounting Frame (For-200 Series Hydraulic Motors)	1
9	40950	40930	Cap Screw, 3/8" NC x 3/4" Hex Head	4
9	40930	40930	Cap Screw, 3/8" NC x 3/4" Hex Head, Stainless Steel (Optional)	4
10	BAC-54	41130	Slinger	1
11	BAC-33	40810	Snap Ring, Internal, BAC-14 Mounting Frame	2
12	BAC-37	40870	Ball Bearing, Sealed, BAC-6 Shaft	2
13	BAC-32	40790	Snap Ring, External, BAC-6 Shaft	2
14	BAC-32-S	40795	Spacer For BAC-6 Shaft	1
15	BACH-25	40420	Key, 1/8" x 1/8" x 1/2"	1
16	BAC-6-HYD-SS	40061	Shaft, 5/8" Diameter, Keyway And Tang Slot, Stainless Steel	1
17	S200	40161	Seal Support Spacer, 200 Series Motor Lip Seal; Effective 6/00	1
18	BAC-76-HYD	41380	Coupling For Hydraulic Motor	1
19	BAC-75-HYD-202	41368	Hydraulic Motor, 2 GPM	1
19	BAC-75-HYD-203	41367	Hydraulic Motor, 3 GPM	1
20	41250	41250	Cap Screw, 5/16" NC x 3-1/4" Hex Head (For 202 Motor)	4
20	41256	41256	Cap Screw, 5/16" NC x 3-1/2" Hex Head (For 203, 204 Motor)	4
#	RK-FMC	52700	Repair Kit For FMC Series Pump	1
#	RK-BAC-75-HYD	41371	Repair Kit For 202, 203, 204, 206 and 210 Motor	1
#	RK-BAC-75-HYD-L	41374	Repair Kit For 200 Series HYD Motors Equipped With Teflon Lip Seal	1

* Items Included In Pump Repair Kit.