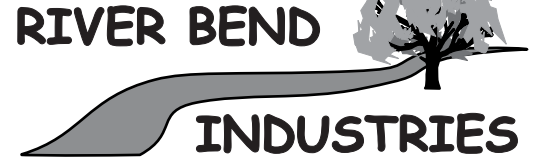
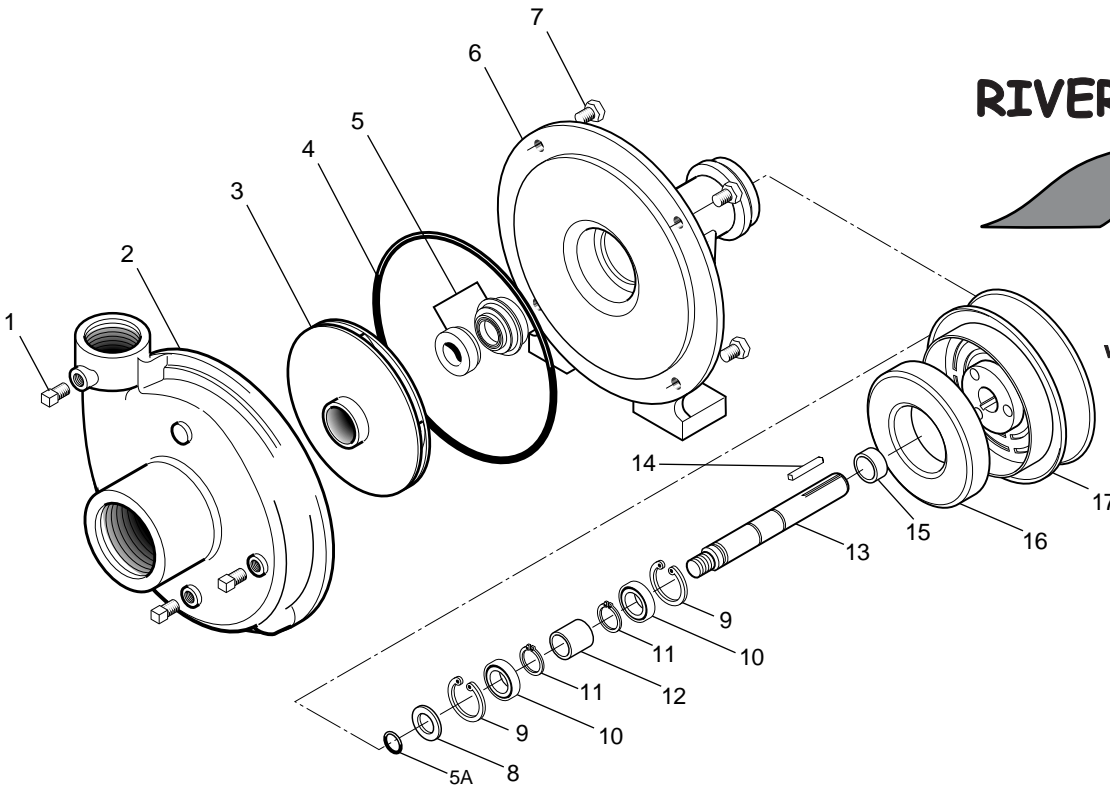




FMC-MAG



Moorhead, MN 56560
 218-236-1818
 800-365-3070
 www.riverbendind.com



REF. #	PART #	EDP#	DESCRIPTION	REQ
1	41110	41110	Pipe plug, 1/8" NPT	1
1	41120	41120	Pipe plug, 1/8" NPT, stainless steel (optional)	1
2	BAC-12	40250	Volute, 1-1/4" x 1", cast iron	1
3	BAC-26-VALOX	40430	Impeller, Valox, left hand thread	1
3	BAC-26-CI	40432	Impeller, cast iron, left hand thread (optional)	1
*4	BAC-4A	40005	"O" Ring for BAC-12 volute seal, effective Apr. '96	1
*4	BAC-4	40010	Gasket, 4 hole	1
*5	BAC-7VC	40151	Seal, Viton mechanical seal (includes 40160 "O" ring)	1
5	BAC-7S	40152	Seal, Silicon Carbide Mechanical Seal (Includes 40160 O-Ring)	1
5A	40160	40160	"O" Ring for BAC-6 shaft	1
6	BAC-14-MAG	40285	Mounting Frame, machined to accept magnetic clutch assembly	1
7	40930	40930	Cap screw, 3/8" NC x 3/4" Hex head, stainless steel (optional)	4
7	40950	40950	Cap screw, 3/8" NC x 3/4" Hex head	4
8	BAC-54	41130	Slinger	1
9	BAC-33	40810	Snap ring, internal, BAC-14 mounting frame	2
10	BAC-37	40870	Bearing, BAC-6 driven shaft	2
11	BAC-32	40790	Snap ring, external, BAC-6 driven shaft	2
12	BAC-32-S	40795	Spacer for BAC-6 shaft	1
13	BAC-6	40050	Shaft, 5/8" Driven shaft, left hand course thread (optional)	1
13	BAC-6-SS	40070	Shaft, 5/8" Driven shaft, left hand thread, stainless steel	1
14	BAC-50	41080	Key, 3/16" x 3/16" x 1-1/4"	1
15	41477	41477	Spacer, clutch	1
16	41476	41476	Coil ring, 12 volt, DC activated	1
17	41479	41479	5-1/4" Pulley assembly complete with bearing and clutch driver	1
#	RK-FMC	052700	Repair Kit for FMC series	
#	41475	41475	Magnetic clutch assembly, includes 41476, 41477, 41479	

* Items included in pump repair kit.