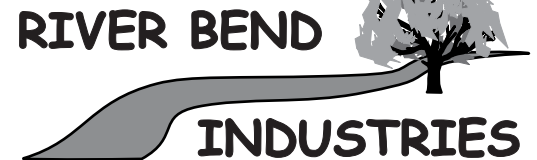
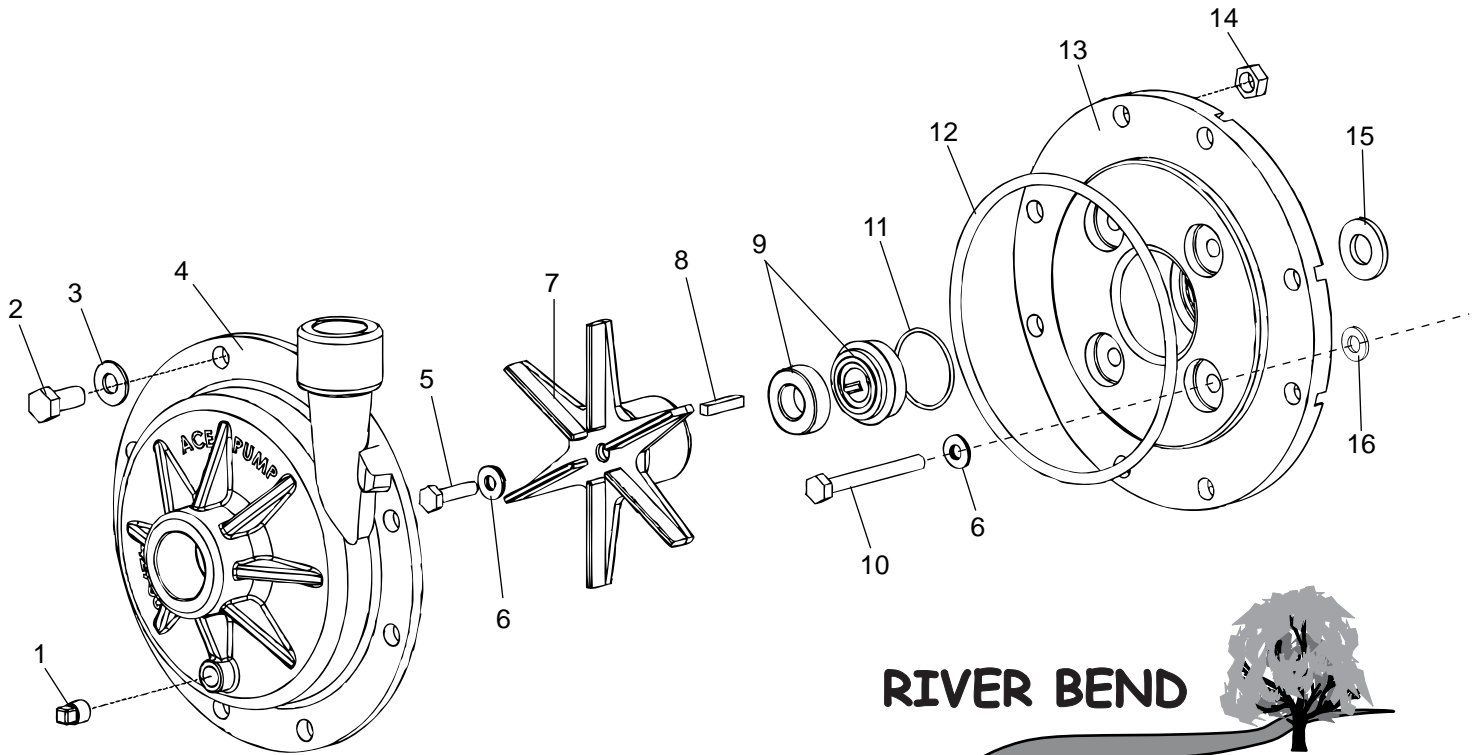




GE-75



Moorhead, MN 56560  
 218-236-1818  
 800-365-3070  
[www.riverbendind.com](http://www.riverbendind.com)

REF. #	PART NUMBER	EDP #	DESCRIPTION	REQ.
1	BAC-53-P	41119	Pipe plug, 1/8" NPT, plastic	1
2	80250	80250	Cap screw, 3/8"-16 x 7/8", hex head	8
3	42701	42701	Washer, 3/8" flat	8
4	GE-12-75	42700	Volute, 3/4" x 1", polypropylene	1
5	42240	42240	Cap screw, 1/4"-28 x 1", hex, stainless steel	1
6*	30028	30028	Washer, sealing	5
7	GE-26-75	42710	Impeller, with keyway, polypropylene	1
8	41082	41082	Key, 3/16" x 3/16" x 15/16"	1
9*	GE-7-75V	42730	Seal, 5/8" , Viton type rubber	1
10	42245	42245	Cap screw, M8 x 60, stainless steel (Honda)	4
10	42238	42238	Cap screw, 5/16"NF x 2-1/4"(Briggs)	4
11*	40159	40159	O-ring, shaft seal, GE-75	1
12*	40017	40017	O-ring, volute seal, GE-75	1
13	GE-14-75	42720	Bracket, GE-75, polypropylene	1
14	BAC-45	41010	Nut, hex, 3/8"	8
15	BAC-54	41130	Slinger	1
16	41488	41488	Spacer, bracket (Briggs)	4
#	42055	42055	Engine, 3 HP, Honda GX100QA2	1
#	42071	42071	Engine, 3.5 HP, Briggs 91232-1040	1
#	RK-GE-75	60840	Repair kit for GE-75	-

\* Items included in pump repair kit.