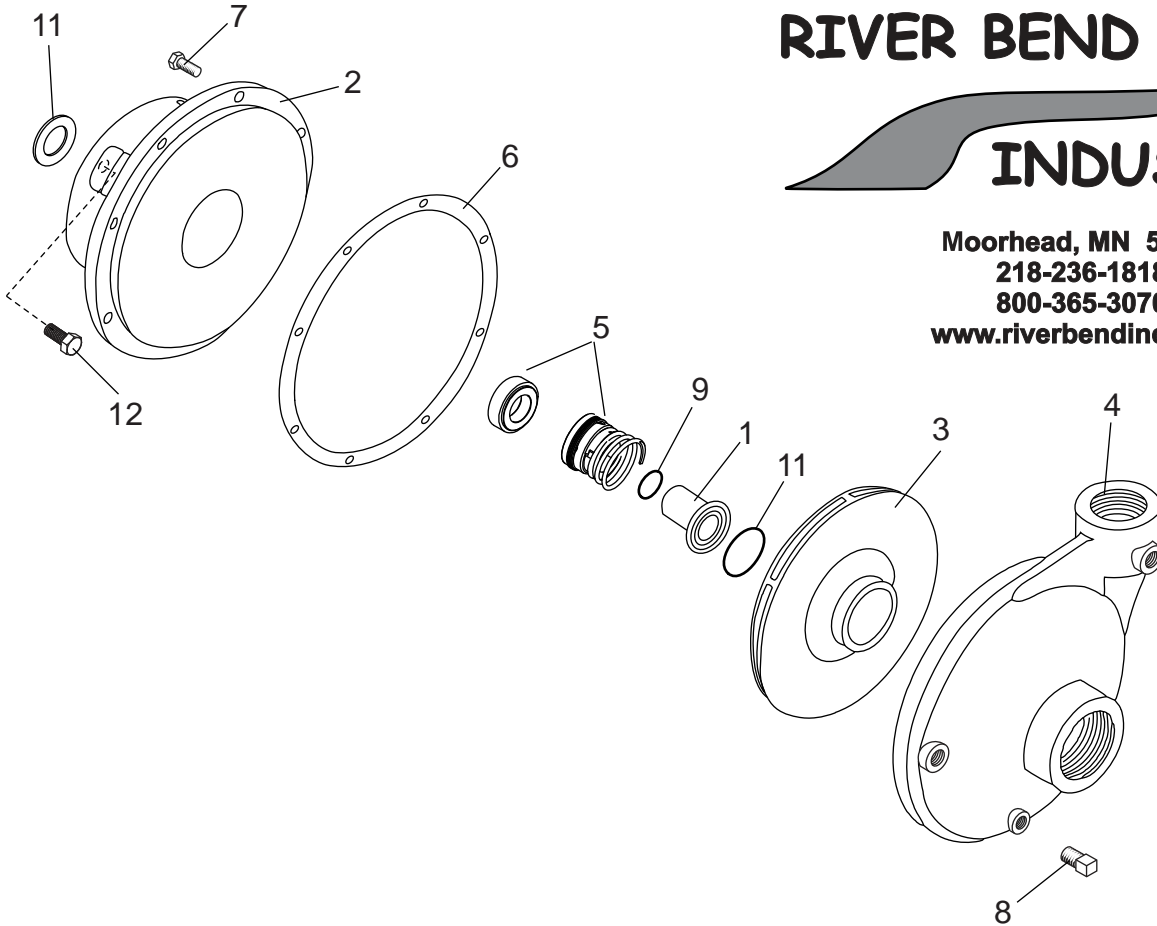


RIVER BEND



INDUSTRIES

Moorhead, MN 56560
 218-236-1818
 800-365-3070
www.riverbendind.com



REF. #	PART NUMBER	EDP#	DESCRIPTION	REQ.
1	ACAL-7-SS	30018	Shaft sleeve, stainless steel	1
2	ACAL-143	30045	Bracket	1
3	ACAL-26-TH	30047	Impeller	1
4	ACAL-14	30160	Volute, 2" x 1-1/2"	1
5*	30265	30265	Seal, 1.25" Type 21 Mechanical Seal	1
6	ACAL-4	30009	O-Ring	1
6*	9000	31130	Gasket, 8 hole (obsolete 12/94)	1
7	BAC-39	40950	Cap Screw, 3/8" NC x 3/4"	8
7	BAC-39-SS	40930	Cap Screw, 3/8" NC x 3/4" Stainless Steel (optional)	8
8	41110	41110	1/8" NPT Pipe Plug	3
8	41120	41120	1/8" NPT Pipe Plug, Stainless Steel (optional)	3
9*	41860	41860	O-Ring, Engine Shaft	1
10	42066	42066	Gas Engine, 8 HP Honda	1
11	42221	42221	Slinger	1
12	SP-62	42255	5/16" NF x 1" Cap Screw	4
12A	GE-44	42200	Lock Washer, 5/16" (not shown)	4
13*	72990	72990	O-Ring, Shaft Sleeve Seal	1
*	RK-GE-800/1600	61000	Repair Kit for GE-800 and GE-1600	#

* Items included in pump repair kit.