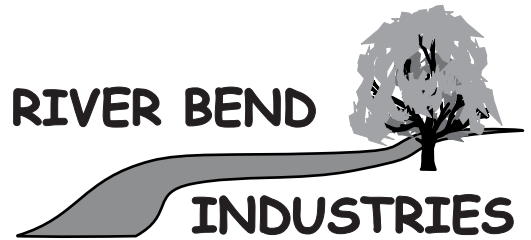
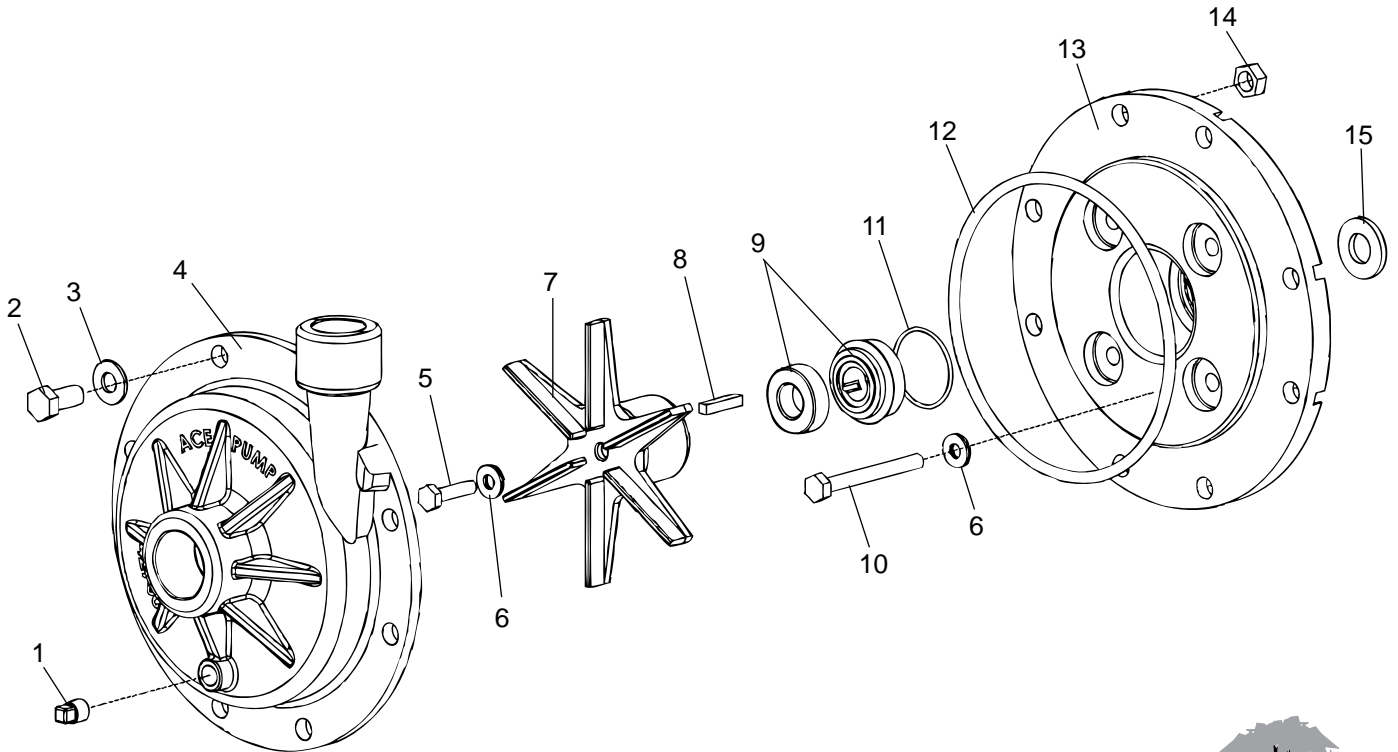




# GE-85



Moorhead, MN 56560  
 218-236-1818  
 800-365-3070  
[www.riverbendind.com](http://www.riverbendind.com)

Ref No.	Part No.	EDP No.	Description	Qty.
1	BAC-53-P	41119	Pipe plug, 1/8" NPT, plastic	1
2	80250	80250	Cap screw, 3/8"-16 x 7/8"	8
3	42701	42701	Washer, 3/8" flat	8
4	GE-12-75	42700	Volute, 1" x 3/4", polypropylene	1
5	GE-60-SS	42235	Cap Screw, 5/16"-NF x 3/4", hex, stainless steel	1
6*+	30028	30028	Washer, sealing	5
7	GE-26-85	42711	Impeller, polypropylene	1
8	41082	41082	Key, Impeller, 3/16" x 3/16" x 15/16"	1
9*	BAC-7-660V	30225	Seal, 3/4", Viton	1
9+	BAC-7SC-660V	30226	Seal, 3/4", Carbide/Ceramic/Viton (optional)	1
10	42245	42245	Cap screw, M8 x 60, stainless steel	4
10	42238	42238	Cap screw, 5/16" NF x 2-1/4"	4
11*+	40159	40159	O-Ring, shaft seal, GE-85	1
12*+	40017	40017	O-Ring, volute seal, GE-85	1
13	GE-14-85	42721	Bracket, GE-85, Polypropylene	1
14	BAC-45	41010	Nut, hex 3/8"	8
15	GE-54-660	42222	Slinger	1
*	RK-GE-85	60845	Repair Kit, for GE-85	-
+	RK-GESC-85	60846	Repair Kit, for GE-85, silicon carbide seal	-