



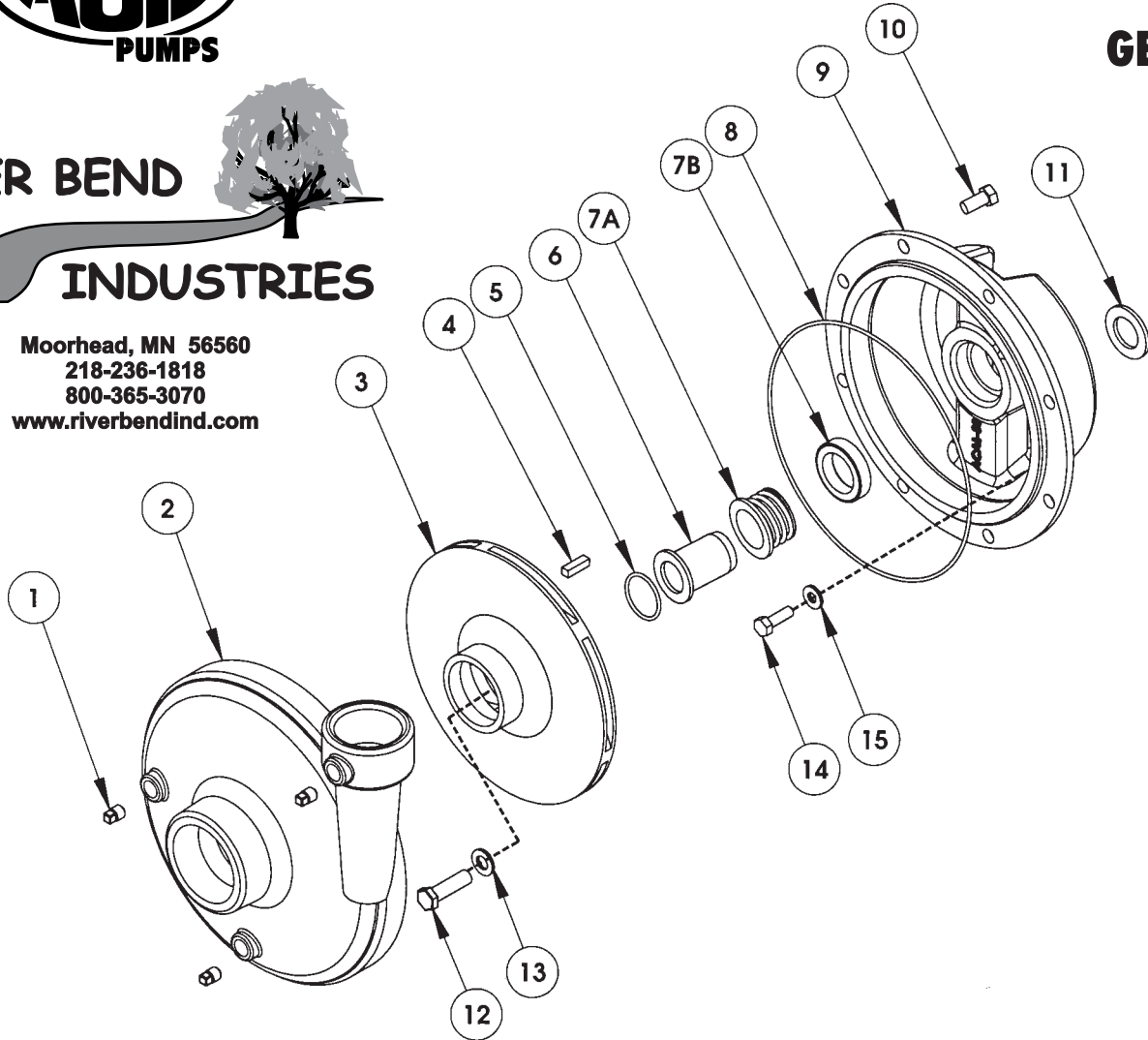
**GE-860**

**RIVER BEND**



**INDUSTRIES**

Moorhead, MN 56560  
 218-236-1818  
 800-365-3070  
 www.riverbendind.com



REF. #	PART NUMBER	EDP#	DESCRIPTION	REQ.
1	BAC-53	41110	1/8" NPT Pipe Plug	3
1	41120	41120	1/8" NPT Pipe Plug, Stainless Steel (optional)	3
2	ACAL-14	30160	Volute, 2" x 1 1/2"	1
3	ACAL-26-860	30558	Impeller, GE-860, Cast Iron	1
4	41083	41083	Key, 1/4" x 1/4" x 7/8"	1
5*	41865	41865	O-Ring, Impeller	1
6	42108	42108	Shaft Sleeve GE-860 Stainless Steel	1
7*	TYPE 21-1.25-V60	30267	Seal, 1.25" TYPE 21 mechanical Seal, Viton	1
8*	ACAL-4	30009	O-Ring Gasket for ACAL-14 Volute	1
9	ACAL-88	30187	Bracket, Cast Iron	1
10	40950	40950	Cap Screw, 3/8" NC x 3/4"	8
10	40930	40930	Cap Screw, 3/8" NC x 3/4", Stainless Steel (optional)	8
11	GE-54	42220	Slinger, 1" ID x 1-5/8" OD x 1/8"	1
12	30022	30022	Cap screw, 7/16"-20 UNF x 1-1/2", Stainless Steel	1
13*	30023	30023	Washer, 7/16" Sealing	1
14	GE-60-SS	42235	Cap screw, 5/16" NF x 3/4", Stainless Steel	4
15*	30028	30028	Washer, 5/16" Sealing, Stainless Steel	4
#	42072	42072	Gas engine, 8 HP Honda, Pull Start, GX240K1 QA2	1
#	42067	42067	Gas engine, 8 HP Honda, Electric Start, GX240K1 QAE2	1
#	RK-GE-860/1600	61010	Repair Kit for GE-860	1

\*Items included in pump repair kit