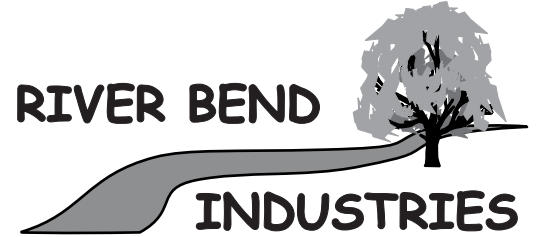
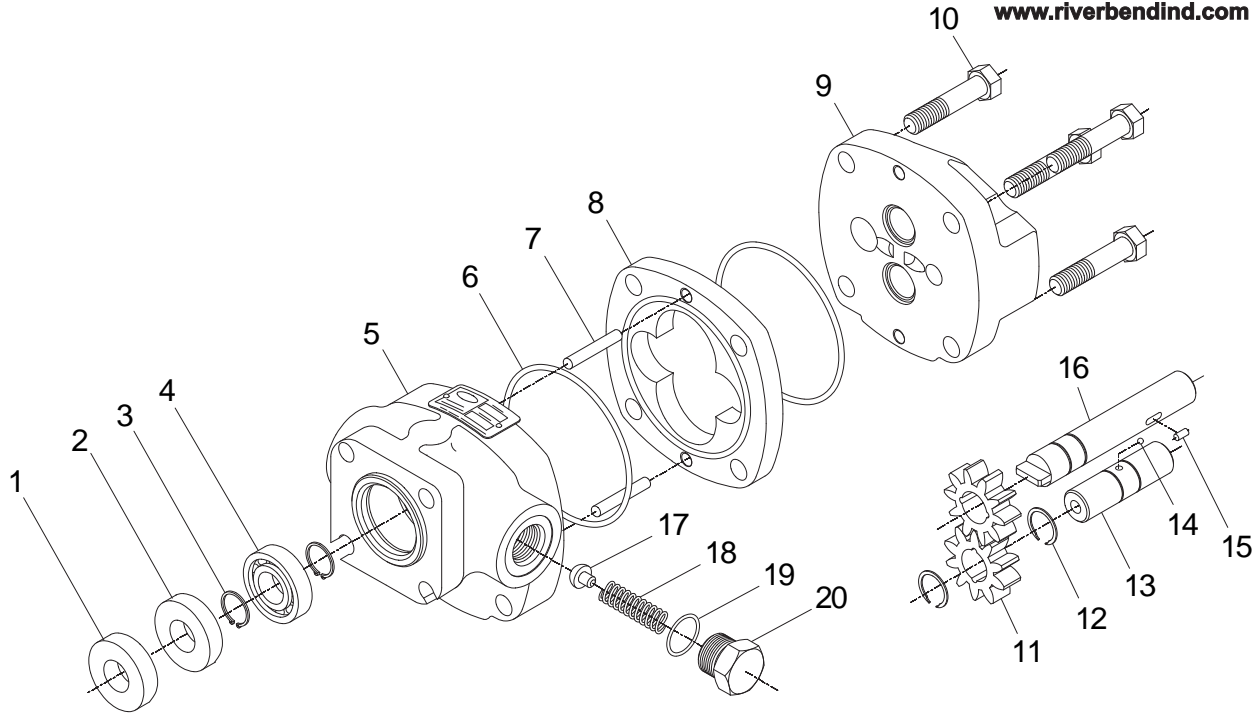




BAC-75-HYD-304-12SAE
 BAC-75-HYD-305
 BAC-75-HYD-306
 BAC-75-HYD-307



Moorhead, MN 56560
 218-236-1818
 800-365-3070
www.riverbendind.com



REF#	Model 304	Model 305	Model 306	Model 307	Description	Qty.
1*	40162	40162	40162	40162	Seal Support Spacer	1
2*	40154	40154	40154	40154	Seal Cartridge ("L" Models)	1
3	43205	43205	43205	43205	Retaining Ring, Bearing	2
4	43225	43225	43225	43225	Ball Bearing	1
5	43015	43015	43015	43015	Drive Plate, 300 Series	1
6*	43130	43130	43130	43130	O-Ring, Housing Seal	2
7	43085	43086	43087	43081	Dowel Pin, Housing	2
8	43005	43006	43007	43001	Gear Housing	1
9	43025	43025	43025	43025	End Plate, #12 SAE End Ports	1
10	43185	43185	43185	43185	Cap Screw, 3/8" N.C. Hex Head	4
11	43035	43036	43037	43031	Gear	2
12	43240	43240	43240	43240	Retaining Ring, Gear	2
13	43235	43236	43237	43231	Idler Shaft	1
14	43255	43255	43255	43255	Ball, Idler Shaft	1
15	43195	43196	43196	43191	Dowel Pin, Drive Shaft	1
16	43045	43046	43047	43041	Drive Shaft	1
17	43300	43300	43300	43300	Plunger, Coasting Check	1
18	43305	43305	43305	43305	Spring, Coasting Check	1
19*	43310	43310	43310	43310	O-Ring, Coasting Check	1
20	43315	43315	43315	43315	Valve Cap, Coasting Check	1
*	41362	41362	41362	41362	Motor Repair Kit, Cartridge Style Lip Seal	--