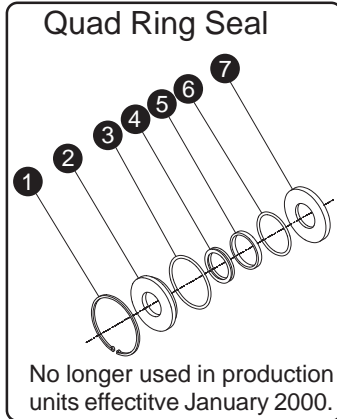
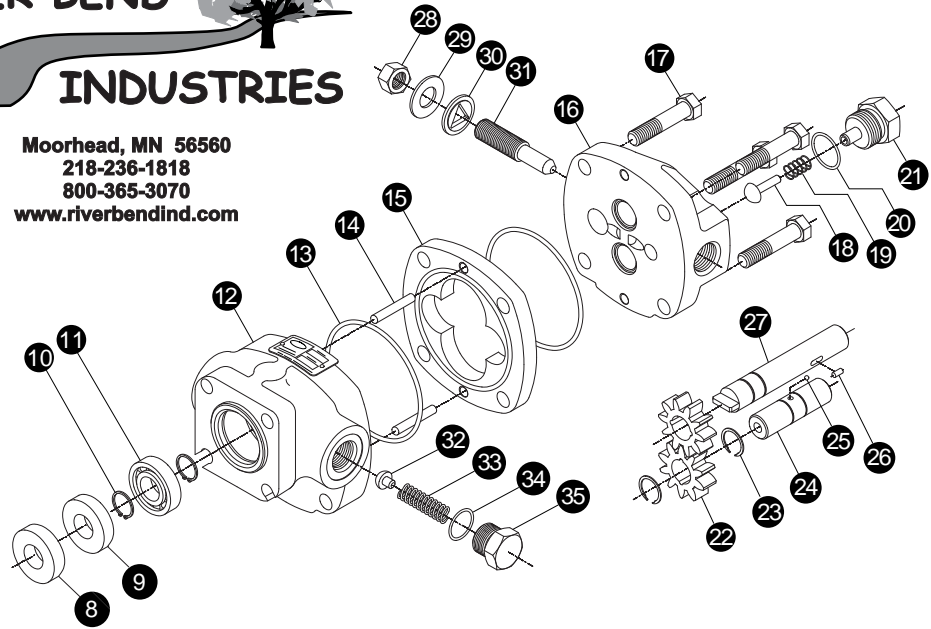


Moorhead, MN 56560
218-236-1818
800-365-3070
www.riverbendind.com

BAC-75-HYD-304
BAC-75-HYD-304L
BAC-75-HYD-310
BAC-75-HYD-310L

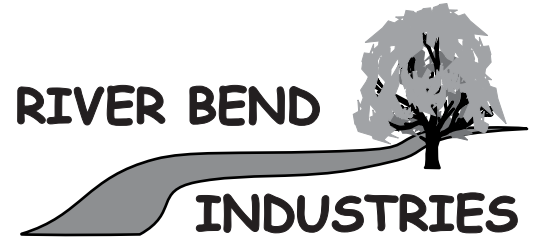


Note: Repair kit, 41362 (RK-BAC-75-HYD-300-L), will retrofit into older 304 (not 310) motors with quad ring shaft seal.

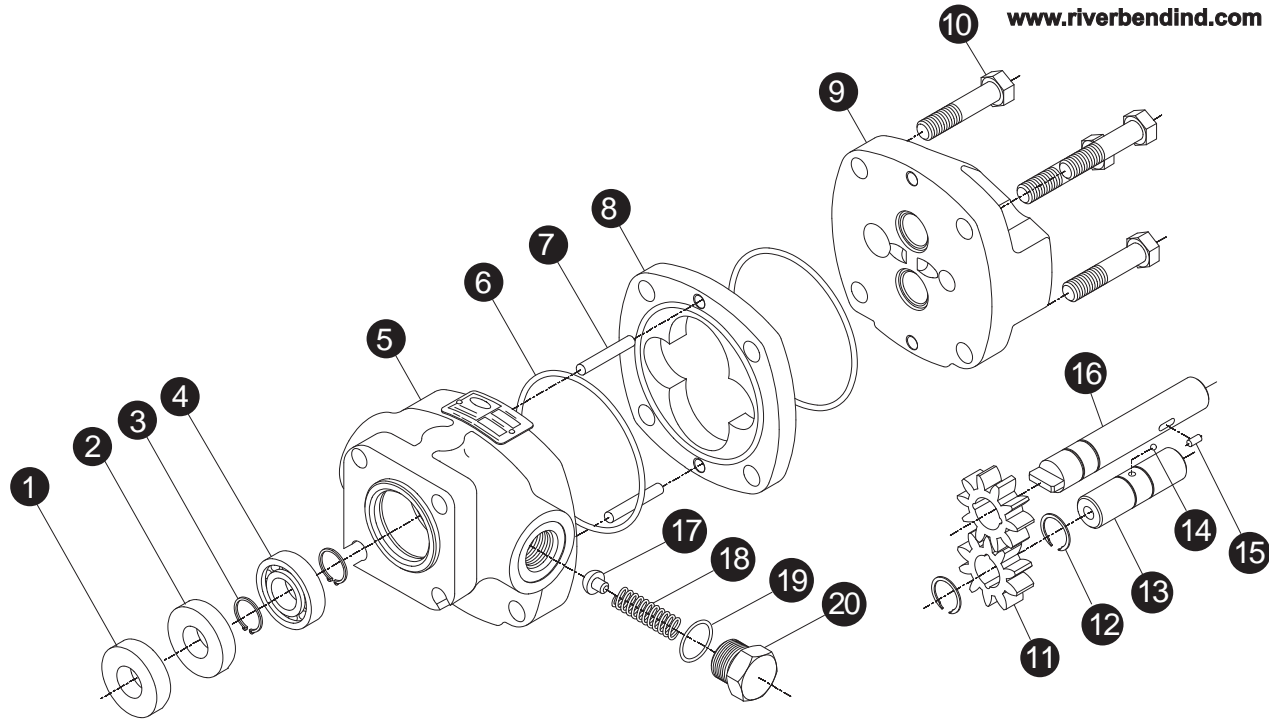
REF#	Model 304	Model 304L	Model 310	Model 310L	Description	Required
1	43175	--	41370	--	Retaining Ring, Shaft Seal	1
2	43051	--	43051	--	Steel Seal retainer	1
3*	43141	--	43140	--	O-Ring, Seal Retainer	1
4*	43161	--	43160	--	Quad Ring Shaft Seal	1
5	43125	--	43120	--	Collar, Quad Ring Shaft Seal	1
6*	43151	--	43150	--	O-Ring, Seal Collar	1
7	43095	--	43090	--	Backup Washer	1
8#	40162	40162	--	40162	Seal Support Spacer	1
9#	40154	40154	--	40154	Seal Cartridge ("L" Models)	1
10	43205	43205	43200	43200	Retaining Ring, Bearing	2
11	43225	43225	43220	43225	Ball Bearing	1
12	43015	43015	43010	43015	Drive Plate	1
13*#	43130	43130	43130	43130	O-Ring, Housing Seal	2
14	43085	43085	43080	43080	Dowel Pin, Housing	2
15	43005	43005	43000	43000	Gear Housing	1
16	43020	43020	43020	43020	End Plate	1
17	43185	43185	43180	43180	Cap Screw, 3/8" N.C. Hex Head	4
18	43210	43210	43210	43210	Plunger, Reverse Flow Check	1
19	43060	43060	43060	43060	Spring, Reverse Flow Check	1
20*#	43290	43290	43290	43290	O-Ring, Reverse Flow Check	1
21	43070	43070	43070	43070	Valve Cap, Reverse flow Check	1
22	43035	43035	43030	43030	Gear	2
23	43240	43240	43240	43240	Retaining Ring, Gear	2
24	43235	43235	43230	43230	Idle Shaft	1
25	43255	43255	43250	43250	Ball, Idle Shaft	1
26	43195	43195	43190	43190	Dowel Pin, Drive Shaft	1
27	43045	43045	43040	43042	Drive Shaft	1
28	43270	43270	43270	43270	Hex Nut, Needle Valve	1
29	43292	43292	43292	43292	Backup Washer, Flat Steel, Needle	1
30*#	43291	43291	43291	43291	1/2" Thread Seal, Needle valve	1
31	43260	43260	--	43260	Adjusting Screw, Needle Valve	1
32	43300	43300	--	43300	Plunger, Coasting Check	1
33	43305	43305	--	43305	Spring, Coasting Check	1
34*#	43310	43310	--	43310	O-Ring, Coasting Check	1
35	43315	43315	--	43315	Valve Cap, Coasting Check	1
*	41361	41361	41379	--	Motor Repair Kit, Quad Ring Shaft Seal	--
#	41362	41362	--	41362	Motor Repair Kit, Cartridge Style Lip Seal	--



BAC-75-HYD-304-12SAE
 BAC-75-HYD-305
 BAC-75-HYD-306
 BAC-75-HYD-307



Moorhead, MN 56560
 218-236-1818
 800-365-3070
www.riverbendind.com



REF#	Model 304	Model 305	Model 306	Model 307	Description	Required
1*	40162	40162	40162	40162	Seal Support Spacer	1
2*	40154	40154	40154	40154	Seal Cartridge ("L" Models)	1
3	43205	43205	43205	43205	Retaining Ring, Bearing	2
4	43225	43225	43225	43225	Ball Bearing	1
5	43015	43015	43015	43015	Drive Plate, 300 Series	1
6*	43130	43130	43130	43130	O-Ring, Housing Seal	2
7	43085	43086	43087	43081	Dowel Pin, Housing	2
8	43005	43006	43007	43001	Gear Housing	1
9	43025	43025	43025	43025	End Plate, #12 SAE End Ports	1
10	43185	43185	43185	43185	Cap Screw, 3/8" N.C. Hex Head	4
11	43035	43036	43037	43031	Gear	2
12	43240	43240	43240	43240	Retaining Ring, Gear	2
13	43235	43236	43237	43231	Idler Shaft	1
14	43255	43255	43255	43255	Ball, Idler Shaft	1
15	43195	43196	43196	43191	Dowel Pin, Drive Shaft	1
16	43045	43046	43047	43041	Drive Shaft	1
17	43300	43300	43300	43300	Plunger, Coasting Check	1
18	43305	43305	43305	43305	Spring, Coasting Check	1
19*	43310	43310	43310	43310	O-Ring, Coasting Check	1
20	43315	43315	43315	43315	Valve Cap, Coasting Check	1
*	41362	41362	41362	41362	Motor Repair Kit, Cartridge Style Lip Seal	--