

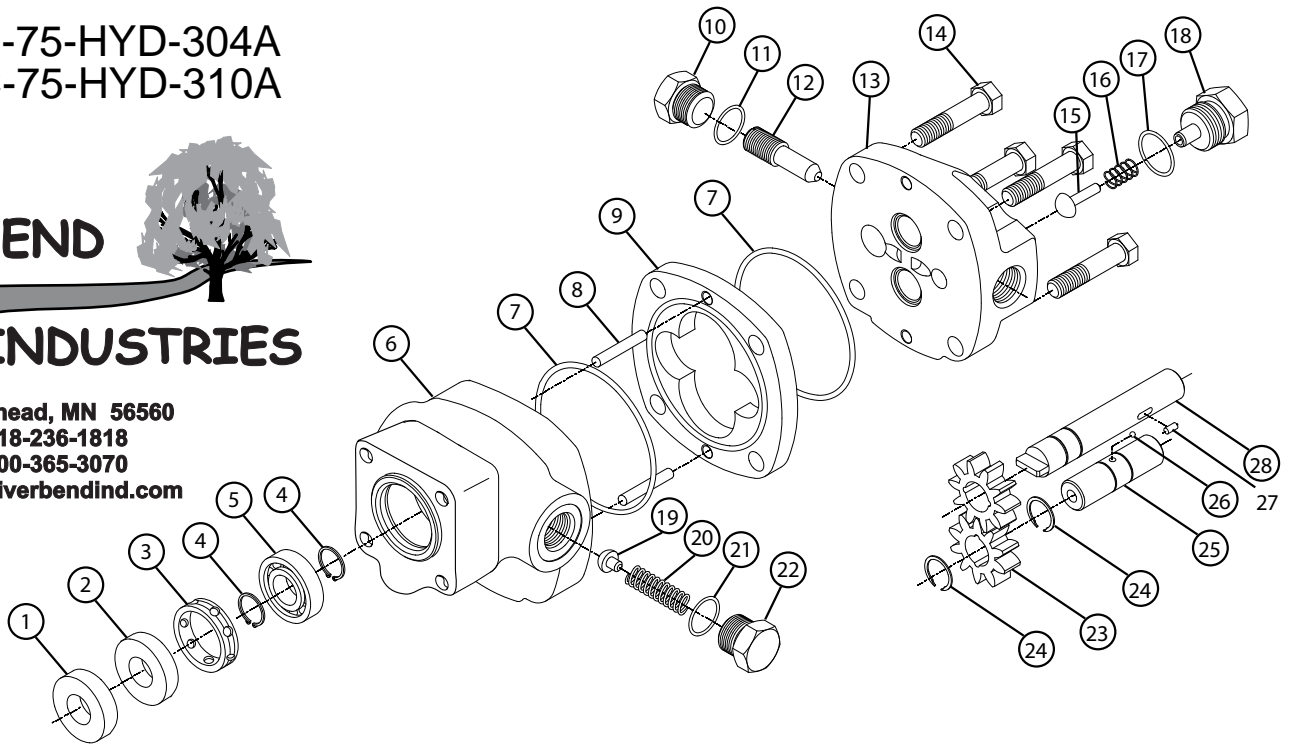


HYDRAULIC MOTOR PARTS LIST

BAC-75-HYD-304A
BAC-75-HYD-310A



Moorhead, MN 56560
218-236-1818
800-365-3070
www.riverbendind.com

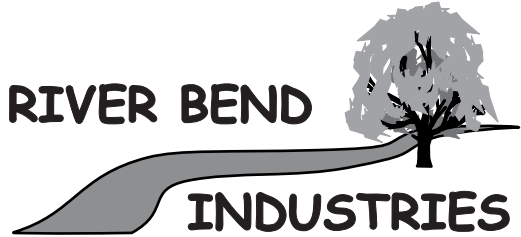


REF #	MODEL 304A	MODEL 310A	DESCRIPTION	REQ.
1*	40162	40162	Seal Support Spacer, S300	1
2*	40154	40154	Seal Cartridge, BAC-75-300-TLS	1
3	43056	43056	Spacer Seal/Bearing, Perforated, 300A Series Motor	1
4	43205	43205	Retaining Ring, Bearing	2
5	43225	43225	Ball Bearing	1
6	43016	43016	Drive Plate	1
7*	43130	43130	O-Ring, Housing Seal	2
8	43085	43080	Dowel Pin, Housing	2
9	43005	43000	Gear Housing	1
10	43275	43275	Cap, Needle Valve, 300A Series Motor	1
11*	43276	43276	O-Ring, Needle Cap, 300A Series Motor	1
12	43265	43265	Needle, 300A Series Motor	1
13	43021	43021	End Plate, 300A Series Motor	1
14	43185	43180	Cap Screw, 3/8" N.C. Hex Head	4
15	43210	43210	Plunger, Reverse Flow Check	1
16	43060	43060	Spring, Reverse Flow Check	1
17*	43290	43290	O-Ring, Reverse Flow Check	1
18	43070	43070	Valve Cap, Reverse Flow Check	1
19	43300	43300	Plunger, Coasting Check	1
20	43305	43305	Spring, Coasting Check	1
21*	43310	43310	O-Ring, Coasting Check	1
22	43315	43315	Valve Cap, Coasting Check	1
23	43035	43030	Gear	2
24	43240	43240	Retaining Ring, Gear	2
25	43235	43230	Idler Shaft	1
26	43250	43250	Ball, Idler Shaft	1
27	43195	43190	Dowel Pin, Drive Shaft	1
28	43046	43039	Drive Shaft	1
*	41362	41362	Motor Repair Kit, Includes 1, 2, 7, 11, 17 & 21	--

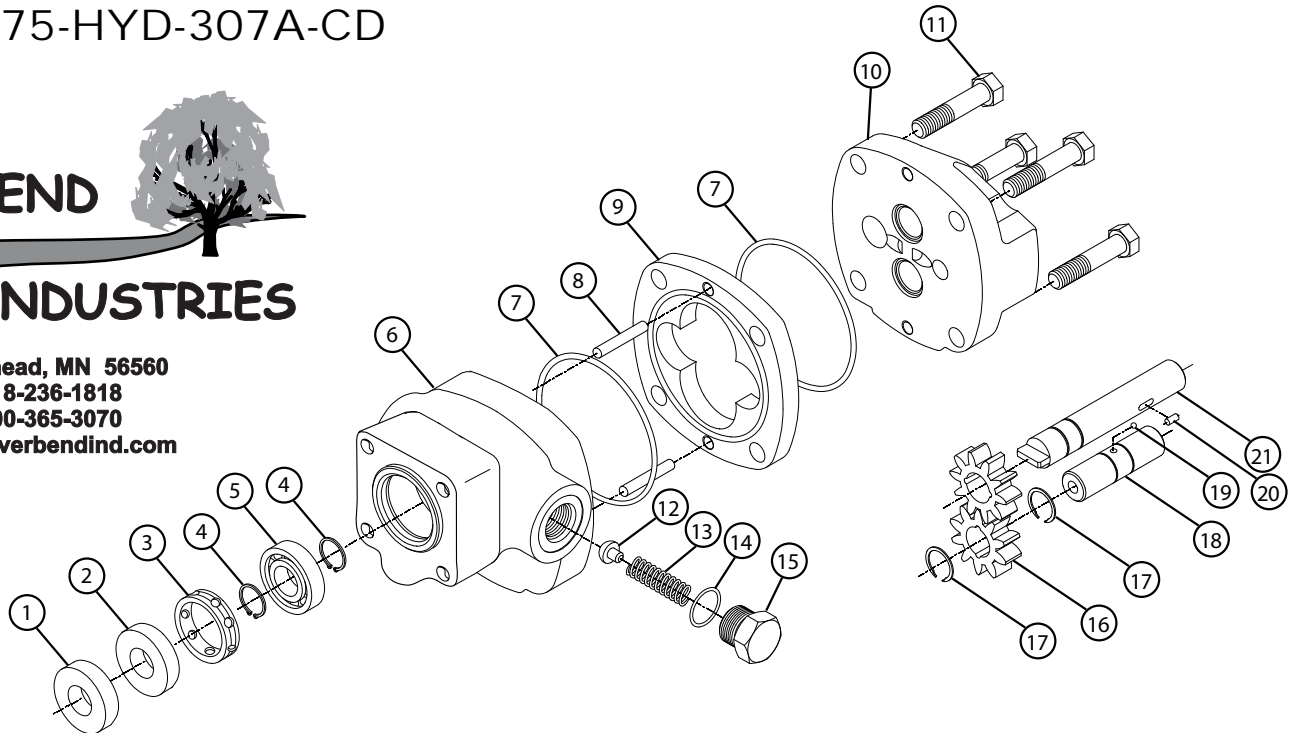


HYDRAULIC MOTOR PARTS LIST

BAC-75-HYD-304A-12SAE
BAC-75-HYD-307A-CD



Moorhead, MN 56560
218-236-1818
800-365-3070
www.riverbendind.com



REF #	MODEL 304A-12SAE	MODEL 307A-CD	DESCRIPTION	REQ.
1*	40162	40162	Seal Support Spacer, S300	1
2*	40154	40154	Seal Cartridge, BAC-75-300-TLS	1
3	43056	43056	Spacer Seal/Bearing, Perforated, 300A Series Motor	1
4	43205	43205	Retaining Ring, Bearing	2
5	43225	43225	Ball Bearing	1
6	43016	--	Drive Plate, 300A Series Motor	1
6	--	43017	Drive Plate, #6 SAE Case Drain, 300A Series Motor	1
7*	43130	43130	O-Ring, Housing Seal	2
8	43085	43081	Dowel Pin, Housing	2
9	43005	43001	Gear Housing	1
10	43025	43025	End Plate, #12 SAE End Ports	1
11*	43185	43185	Cap Screw, 3/8" N.C. Hex Head	4
12	43300	43300	Plunger, Coasting Check	1
13	43305	43305	Spring, Coasting Check	1
14*	43310	43310	O-Ring, Coasting Check	1
15	43315	43315	Valve Cap, Coasting Check	1
16	43035	43031	Gear	2
17	43240	43240	Retaining Ring, Gear	2
18	43235	43231	Idler Shaft	1
19	43250	43250	Ball, Idler Shaft	1
20	43195	43191	Dowel Pin, Drive Shaft	1
21	43046	43043	Drive Shaft	1
*	41362	41362	Motor Repair Kit, Includes 1, 2, 7 & 14	--