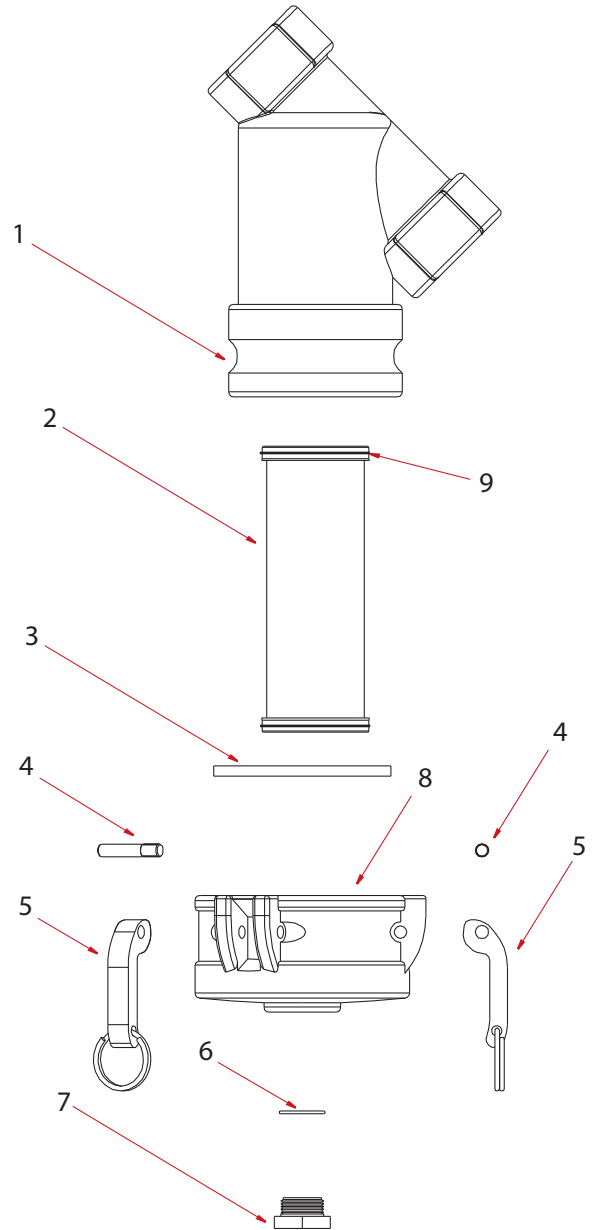


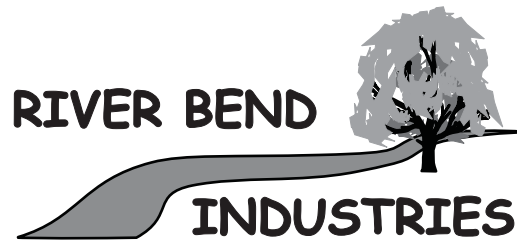


2" LSQ "Y" STRAINER

REPLACEMENT PARTS LSQ POLY "Y" STRAINER			
ITEM	PART NO	DESCRIPTION	QTY
1	LSQ150-B	1½" LSQ Line Strainer Body	1
1	LSQ200-B	2" LSQ Line Strainer Body	1
2	LS206	6 Mesh Screen (Fits 1½" & 2" Screen)	1
2	LS212	12 Mesh Screen (Fits 1½" & 2" Strainers)	1
2	LS220	20 Mesh Screen (Fits 1½" & 2" Strainers)	1
2	LS230	30 Mesh Screen (Fits 1½" & 2" Strainers)	1
2	LS250	50 Mesh Screen (Fits 1½" & 2" Strainers)	1
2	LS280	80 Mesh Screen (Fits 1½" & 2" Strainers)	1
2	LS2120	120 Mesh Screen (Fits 1½" & 2" Strainers)	1
3	LSQ200-G	2" Gasket (Fits 1½" & 2") – EPDM	1
3	LSQ200-GV	2" Gasket (Fits 1½" & 2")– FKM (viton type)	1
4	300P	Cam Pin Stainless Steel (Fits LSQ Cap)	1
5	300K	Cam Arm Stainless Steel 3" w/Ring	1
6	LSQ200R1	O-Ring for Clean-Out Plug - EPDM	1
6	LSQ200-RV	O-Ring for Clean-Out Plug – FKM (viton type)	1
7	PLUG075S	1" Clean-Out Plug	1
8	LSQ200-C*	2" Cap (Fits 1½" & 2" Strainers)	1
9	LS-141-G	O-Ring, Screen Ends	2



NOTE: Items marked with asterisk* include parts 3, 4, 5, 6 and 7.



Moorhead, MN 56560
 218-236-1818
 800-365-3070
www.riverbendind.com