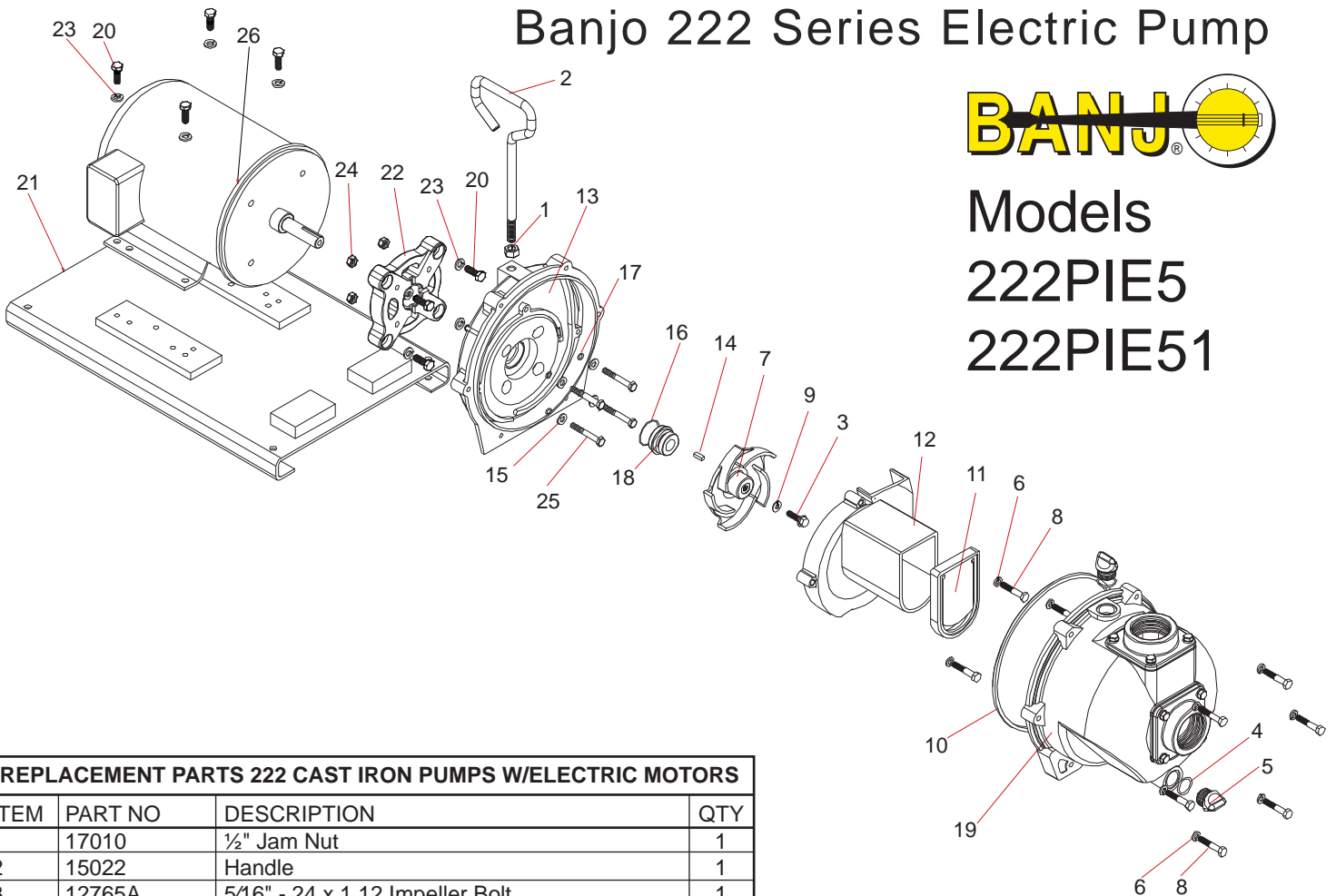


# Banjo 222 Series Electric Pump



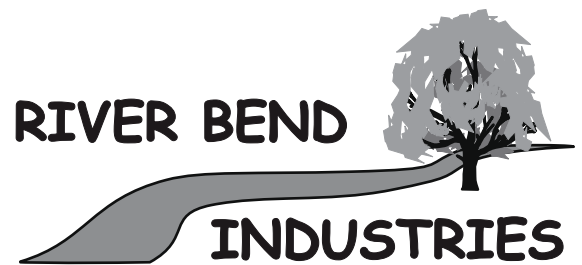
Models  
222PIE5  
222PIE51



## REPLACEMENT PARTS 222 CAST IRON PUMPS W/ELECTRIC MOTORS

ITEM	PART NO	DESCRIPTION	QTY
1	17010	1/2" Jam Nut	1
2	15022	Handle	1
3	12765A	5/16" - 24 x 1.12 Impeller Bolt	1
4	13778	O-Ring	2
5	13777	Prime/Drain Plug	2
6	V10118	5/16" Lock Washer	9
7	15772	5 Vane Impeller	1
8	12715A	5/16" - 24 x 1.75 HHCS	13
9	12774VA	Impeller Bolt Gasket	1
10	12719A	Body O-Ring	1
11	12705	Check Valve	1
12	15702	Volute	1
13	15703	Rear Bracket	1
14	12902A	3/16" SQ. x 5/8" Key	1
15	12901	5/16" Flat Washer	4
16	12710	O-Ring	
17	12717	O-Ring	4
18	12713V	Seal Assembly	1
18	12713SD	Severe Duty Seal	1
19	15712 Body	1	
20	17704	3/16" - 16 x 1.25 HHCS Bolt	8
21	17701	C-Faced Base Plate	1
22	12046	56C Adapter	1
23	V20018	3/8" Lock Washer	8
24	V20019	3/8" 16 SS Hex Nut	4
25	BF107	5/16" - 18 x 2 1/4" HHCS Bolt	4
26	BEM5-182CZ	5 HP 3450 RPM Three Phase Motor	1
26	BEM51-182CZ	5 HP 3450 RPM Single Phase Motor	1
N/S	12099	7/16"-14 x 1.25" HHCS	1
N/S	15751	Bracket Shim	1
N/S	15752	Impeller Shim	1
N/S	15000	Repair Kit	
		(Items 4,7,9-11,14,16-18,12099,15751&15752)	1
N/S	15000V	FKM (viton type) Repair Kit	1
N/S	15999	Seal Kit	
		(Items 4, 9-11, 14,16-18,12099,15751&15752)	1
N/S	15999V	FKM (viton type) Seal Kit	1

NOTE: EPDM gaskets, seals and o-rings used in the following assemblies unless otherwise noted: 222PBI, 222PIHY, 222PI5, 222PIH5, 222POI. Pumps equipped with FKM (viton type) also available.



Moorhead, MN 56560  
218-236-1818  
800-365-3070  
[www.riverbendind.com](http://www.riverbendind.com)