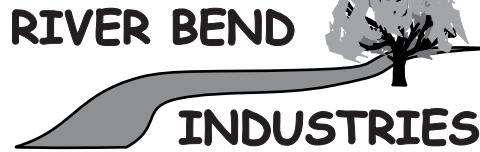
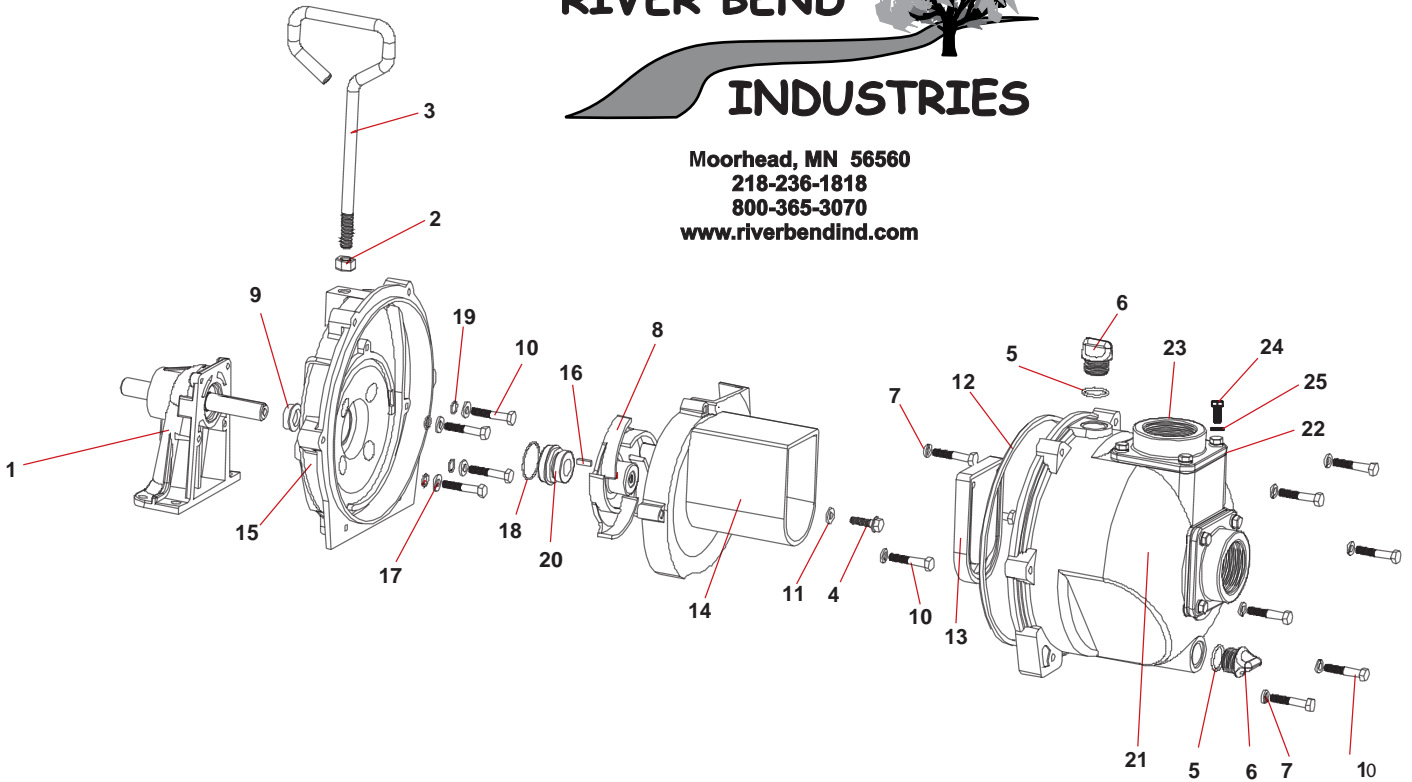


Banjo 222 Series Pump



Moorhead, MN 56560
 218-236-1818
 800-365-3070
 www.riverbendind.com



REPLACEMENT PARTS 222 SERIES CAST IRON PUMPS

ITEM	PART NO	DESCRIPTION	QTY	ITEM	PART NO	DESCRIPTION	QTY
1	12882A	Bearing Pedestal Assembly	1	20	12713V	Seal Assembly	1
1	12600B	Hydraulic Pedestal Assembly	1	20	12713SD	Severe Duty Seal	1
2	17010	½" Jam Nut	1	21	15712	Body	1
3	15022	Handle	1	22	17013	Flange Outlet Gasket	2
4	12765A	5/16" - 24 x 1.12 Impeller Bolt	1	23	17000	Threaded Flange	1
5	13778	O-Ring	2	N/S	12099	7/16"-14 x 1.25" HHCS (for Impeller Removal)	1
6	13777	Prime/Drain Plug	2	N/S	15751	Bracket Shim	1
7	V10118	5/16" Lock Washer	9	N/S	15752	Impeller Shim	1
8	15772	5 Vane Impeller	1	N/S	17033	Z-Rails	1pr
9	12716	Pump Slinger	1	N/S	17034	5/16" - 18 x 1¼" Zinc Plated	4
10	12715A	5/16" - 24 x 1.75 HHCS	13	N/S	V10119	5/16" -18 Hex Nut	4
11	12774VA	Impeller Bolt Gasket	1	N/S	V10118	5/16" Lock Washer	4
12	12719A	Body O-Ring	1	N/S	15000	Repair Kit (Items 5, 8, 11-13, 18-20, 12099, 15751 & 15752)	1
13	12705	Check Valve	1	N/S	15000V	FKM (viton type) Repair Kit	1
14	15702	Volute	1	N/S	15999	Seal Kit Seal Kit (Items 5, 11-13, 18-20, 12099, 15751 & 15752)	1
15	15703	Rear Bracket	1	N/S	15999V	FKM (viton type) Seal Kit	1
16	12902A	3/16" sq x 5/8" Impeller Key	1				
17	12901	5/16" Flat Washer	4				
18	12710	O-Ring	1				
19	12717	O-Ring	4				

Pump Repair Kits Contain Items Marked With Asterisk

NOTE: EPDM Gaskets, Seals and O-rings used in the following assemblies unless otherwise noted: 222PBI, 222PIHY, 222PI5, 222PIH5, 222POI. Pumps equipped with FKM (viton type) also available.