



3" "Y" Strainers

FEATURES

- Lightweight.
- High volume.
- Constructed of glass filled polypropylene.
- ½" drain plug in bottom of cap.
- Reinforced stainless steel screen.
- 3" female NPT threads.
- 7.5 P.S.I. maximum.



3" Female NPT threads!

FEATURES

- EPDM gaskets standard FKM (viton type) available.
- Corrosion resistant.
- 200 P.S.I. maximum.
- Clean-out plug.
- Stainless steel screens sold separately.

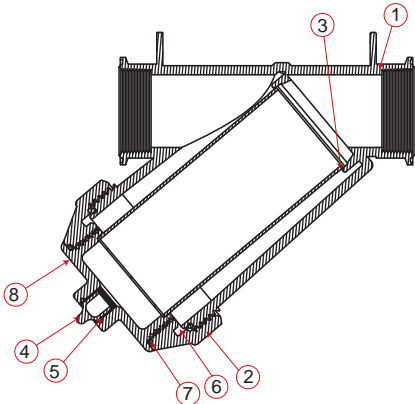


3" 316 STAINLESS STEEL "Y" STRAINERS

PART NO	DESCRIPTION
LSS300-06	3" Line Strainer With 4 Mesh Screen
LSS300-08	3" Line Strainer With 8 Mesh Screen
LSS300-12	3" Line Strainer With 12 Mesh Screen
LSS300-20	3" Line Strainer With 20 Mesh Screen
LSS300-50	3" Line Strainer With 50 Mesh Screen
LSS300-80	3" Line Strainer With 80 Mesh Screen

3" POLY "Y" STRAINERS

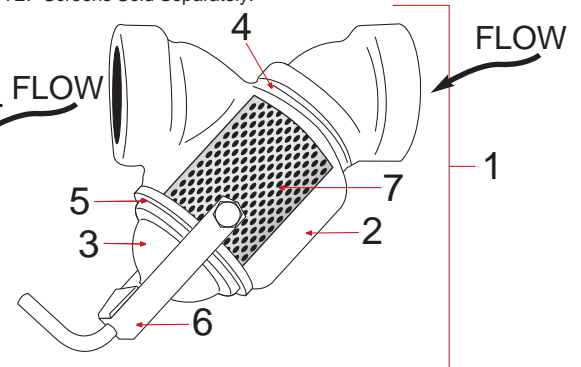
PART NO	DESCRIPTION
LSM300-04	3" Line Strainer With 4 Mesh Screen
LSM300-08	3" Line Strainer With 8 Mesh Screen
LSM300-12	3" Line Strainer With 12 Mesh Screen
LSM300-20	3" Line Strainer With 20 Mesh Screen
LSM300-50	3" Line Strainer With 50 Mesh Screen



RIVER BEND INDUSTRIES

Moorhead, MN 56560
218-236-1818
800-365-3070
www.riverbendind.com

NOTE: Screens Sold Separately.



REPLACEMENT PARTS 3" POLY - Y - STRAINER

ITEM	PART NO	DESCRIPTION	QTY
1	MLS300B1	3" Poly Bowl	1
2	MLS300CAP	3" FKM (viton type) Gasket	1
3	LS304	4 Mesh Screen	1
3	LS308	8 Mesh Screen	1
3	LS312	12 Mesh Screen	1
3	LS320	20 Mesh Screen	1
3	LS350	50 Mesh Screen	1
4	13777	½" Clean Out Plug	1
5	13778	EPDM O-Ring Clean Out Plug	1
6	MLS300G	EPDM Cap Gasket	1
6	MLS300GV	FKM (viton type) Cap Gasket	1
7	MLS300ECG	EPDM End Cap Gasket	1
7	MLS300ECGV	FKM (viton type) Cap Gasket	1
8	LS300EC	End Cap Only (Plug Sold Separately)	1

QTY

REPLACEMENT PARTS 3" STAINLESS STEEL - Y - STRAINER

ITEM	PART NO.	DESCRIPTION	QTY
1	LSS300-BC	3" SS Body, Cap & Gaskets	1
2	LSS300-B	3" SS Body	1
3	LSS300-C	3" SS Cap	1
4	LSS300-S	EPDM Screen Seal	2
4	LSS300-SV	FKM (viton type) Screen Seal	2
5	LSS300-G	EPDM Cap Gasket	1
5	LSS300-GV	FKM (viton type) Cap Gasket	1
6	LSS300-H	Handle/Clamp Assembly	1
7	LSS306	6 Mesh SS Screen	1
7	LSS308	8 Mesh SS Screen	1
7	LSS312	12 Mesh SS Screen	1
7	LSS320	20 Mesh SS Screen	1
7	LSS330	30 Mesh SS Screen	1
7	LSS350	50 Mesh SS Screen	1

***WARNING: 3" Polypropylene "Y" Strainer to be used on suction side or non pressure side in all applications.**