

Models

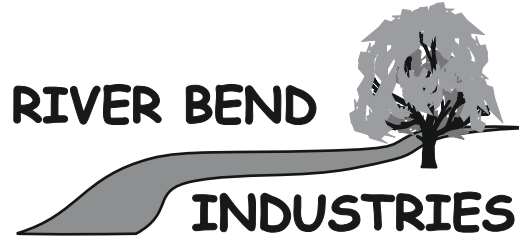
333PIH13

333PI16

333PIE15

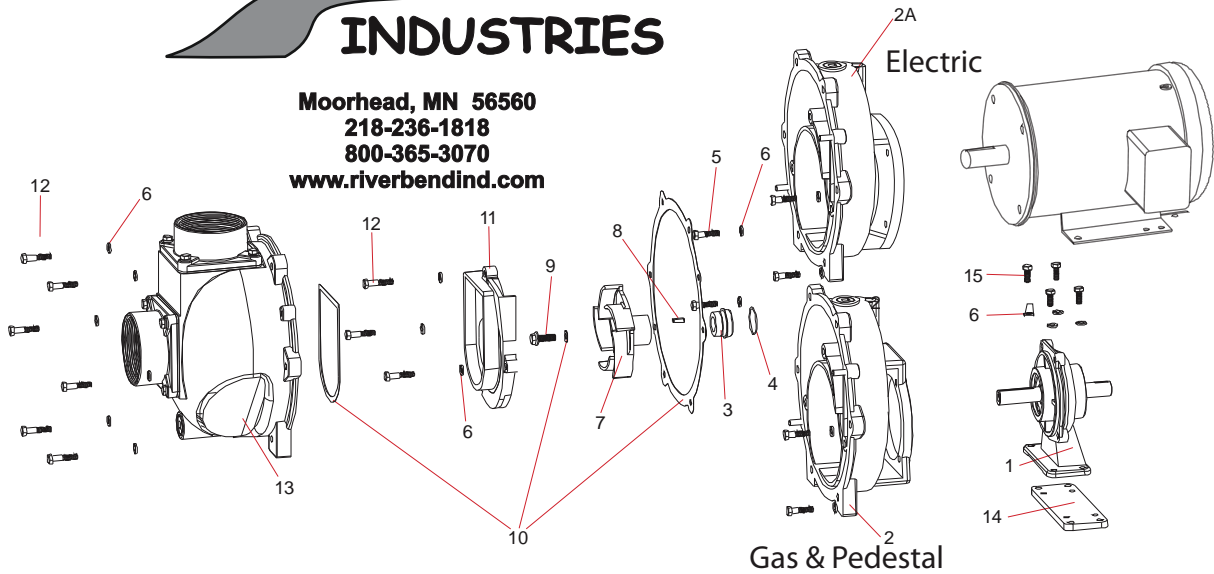
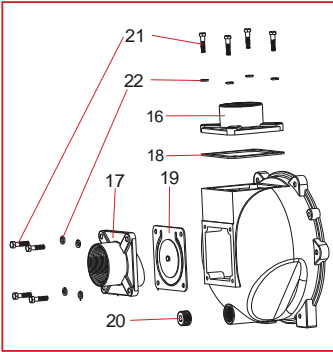
333PBI

Banjo 333 Series Pump



Moorhead, MN 56560
218-236-1818
800-365-3070
www.riverbendind.com

16733 Body Assembly



REPLACEMENT PARTS

ITEM	PART NO	DESCRIPTION	QTY
N/S	16099	Impeller Removal Bolt	1
1	18500	Bearing Pedestal (333PBI)	1
2	16704	Rear Bracket	1
2A	16704A	Rear Bracket Electric Motor C-Face	1
3	16713	Mechanical Seal (Gas Engine)	1
3 & 4	15025	Mechanical Seal and O-Ring (Electric Motor)	1
4	16710	O-Ring	1
5	17704	3/8" - 16 x 1.25" SS Cap Screw (333PBI)	4
6	V20018	3/8" SS Lock Washer	17
7	16773	3" Impeller (333PBI) 1" Shaft	1
7	16773A	3" Impeller (333PIE15) 1-3/8" Shaft 5 Vane	1
7	16774	3" Impeller (333PIH13) 1" Shaft	1
8	16901	1/4" SQ. 3/4" Key Stock	1
9	16765	Impeller Bolt (333PBI)	1
10	16019	Gasket Set	1
11	16702	Volute	1
12	V20011SS	3/8"-16 x 1.75" SS Bolt	9
13	16733	Body	1
14	18511	Adapter Plate (333PBI)	1
15	18512	3/8" - 16 x 0.875" SS HHCS (333PBI)	4
N/S	16751	Bracket Shim Set	1
N/S	16752	Impeller Shim	1
N/S	18033	Handle	1
N/S	18034	5/8" SS Jam Nut	1
16	16001	Outlet Flange	1
17	16003	Inlet Flange	1
18	16706	FKM (viton type) Inlet Gasket w/ Check	1
19	16011	FKM (viton type) Outlet Gasket	1
20	13777	Plug	2
21	18027	3/8" - 16 x 1.50" HHCS (333PIH13)	8
22	V20018	3/8" SS Lock Washer	8
23	13778	O-Ring	2
N/S	16101	Repair Kit (Includes items 16099, 3, 4, 7, 8, 10, 16751, 16752) Gas Motor	1