

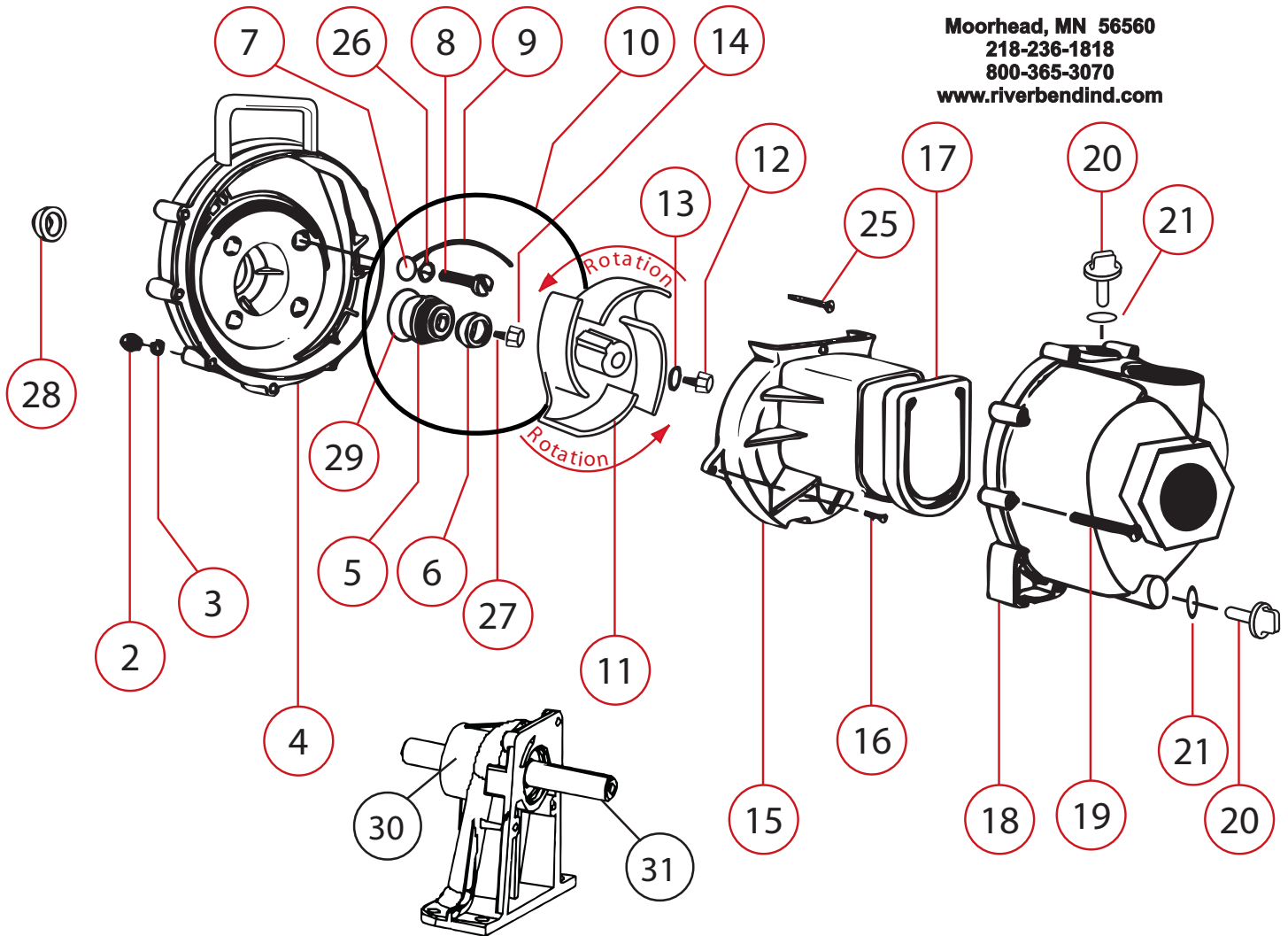
Banjo 3" Poly Gas and Pedestal

RIVER BEND



INDUSTRIES

Moorhead, MN 56560
 218-236-1818
 800-365-3070
 www.riverbendind.com



REPLACEMENT PARTS FOR PUMPS MANUFACTURED BEGINNING SEPT. 1996

ITEM	DESCRIPTION	PER PUMP	PART No.	ITEM	DESCRIPTION	PER PUMP	PART No.
2	Body Nuts SS	10	V07019	18	Poly Pump Body Assembly	1	13711
3	Lock Washer SS	10	V07018	19	Body Screws SS	10	12720
4	Poly Pump Rear Bracket	1	12703A	20	Prime / Drain Plug	2	13777
5 & 6	Seal Assembly*+	1	12713	21	Prime / Drain Plug O-Ring*	2	13778
7	Screw Heads "O" Ring*+	4	12717	25	Upper Volute Screw SS	1	12900
8	Bracket Screws SS	4	12715A	26	Rear Bracket Washer SS	4	12901
9	O-Ring Segment*+	1	12754	27	Impeller Key	1	12902A
10	Body O-Ring*+	1	12719A	28	Poly Pump Slinger*+	1	12716
11	4 Vane Poly Pump Impeller + (6.5 HP and Hydraulic) 4.8" OD	1	13771	29	O-Ring for Seal Assembly*+	1	12710
11	4 Vane Poly Pump Impeller + (8 HP, 11 HP) 5.02" OD	1	13772	30	Complete Bearing Pedestal	1	12882A
12	Impeller Bolt 5/16 x 24 x 1.12 all except 8HP Briggs	1	12765A	31	Bearing Shaft	1	12883
12	Impeller Bolt 5/16 x 24 x 1.00 for 8HP Briggs	1	13765		Pump Repair Kit — 3 Vane Impeller (Consists Of Items Marked With +)	1	13000
13	Impeller Bolt Gasket*+	1	12774VA		Pump Seal/O-Ring Kit (Consists Of Items Marked With *)	1	13999
14	Impeller Hex Nut	1	12775A				
15	Poly Pump Volute	1	13702				
16	Volute Screws SS	2	12725				
17	Poly Pump Check Valve +	1	12705				