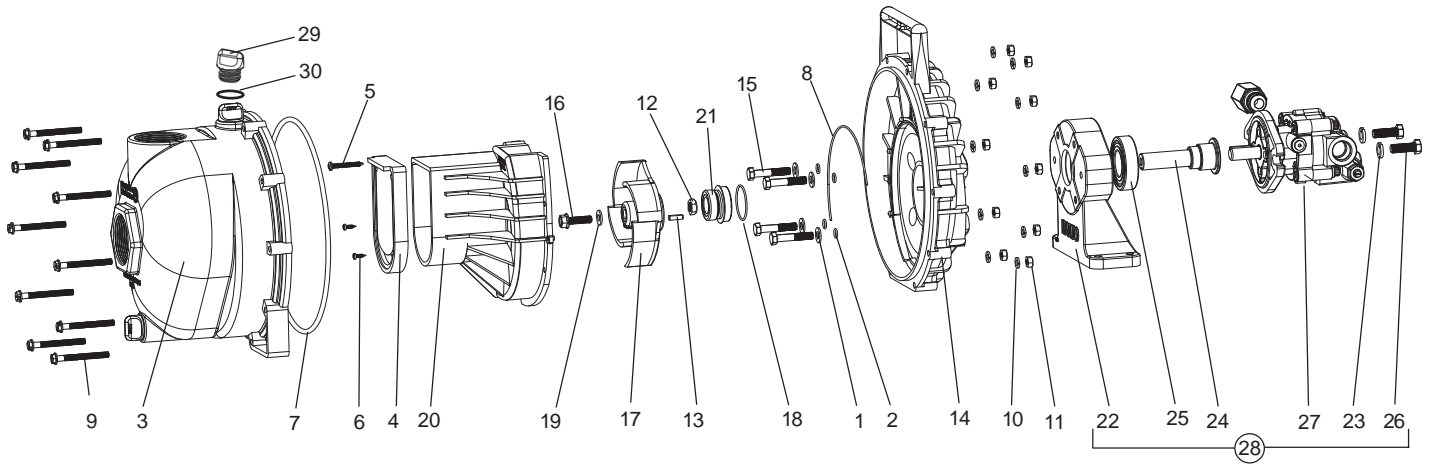



Banjo 3" Hydraulic Driven Pump



REPLACEMENT PARTS 3" POLY PUMPS W/ HYDRAULIC ADAPTER

ITEM	PART NO	DESCRIPTION	QTY
1	12901	SS Rear Bracket Washer	1
2	12717	O-Ring for Screw Heads	4
2	12717V	FKM (viton type) O-Ring for Screw Heads	4
3	13712	Body Assembly	1
4	12705	Poly Pump Check Valve	1
4	12705V	FKM (viton type) Pump Check Valve	1
5	2900	SS Upper Volute Screw	4
6	12725	SS Volute Screws	2
7	12719A	Body O-Ring	1
8	12754	O-Ring Segment	1
8	12754V	FKM (viton type) O-Ring Segment	1
9	12720 SS	Body Screws	10
10	V07018	SS Lock Washers	10
11	V07019	SS Body Nuts	10
12	12775A	Impeller Hex Nut	1
13	12902A	Impeller Key	1
14	12703A	Poly Pump Rear Bracket	1
15	12715A	5/16"-24 x 1.75" HHCS	4
16	12765A	SS Impeller Bolt	1
17	13771	4 Vane Impeller	1
18	12710	O-Ring for Seal Assembly	1
18	12710V	FKM (viton type) O-Ring for Seal Assembly	1
19	12774VA	Impeller Bolt Gasket	1
20	13702	Poly Pump Volute	1
21	12733	Mechanical Seal Assembly	1
22	12049B	Hydraulic Pedestal Housing	1
23	V20018	3/8" Lock Washer	2
24	12055B	Adapter Shaft	1
25	17056	Bearing	1
26	18010SS	3/8"-16 x 1.25" HHCS	2
27	HY1013	Hydraulic Motor	1
28	12600B	Complete Hydraulic Assembly	1
29	13777	Drain Plug	2
30	13778	O-Ring for Drain Plug	2

RIVER BEND

INDUSTRIES

Moorhead, MN 56560
218-236-1818
800-365-3070
www.riverbendind.com

HYDRAULIC MOTOR DATA
 U.S. Gallons/Rev. 0.0025
 Cubic Inches/Rev. 0.580
 Liters/Rev. 0.0097

Max Hydraulic Pressure 2000 PSI
 Min Hydraulic Pressure 200 PSI
 Inlet Port SAE 10 (7/8-14 UNF-2B)
 Outlet Port SAE 10 (7/8-14 UNF-2B)
 Minimum GPM Required 6 GPM 2400 RPM
 Maximum GPM Required 10 GPM 4000 RPM
 Ideal GPM Required 9 GPM 3600 RPM

CONNECTION INFORMATION
 Inlet "A" Port
 Outlet "B" Port

Supplied check valve is to ensure proper rotation of the Banjo pump. Place check valve in outlet port (marked "B") for proper right hand rotation.

SPOOL VALVE INFORMATION
 Required Outlet Flow Min 8 GPM / Max 13 GPM
 Required System Pressure Min 600 PSI / Max 3000 PSI