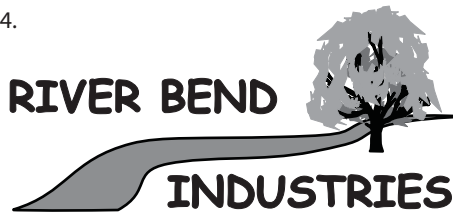
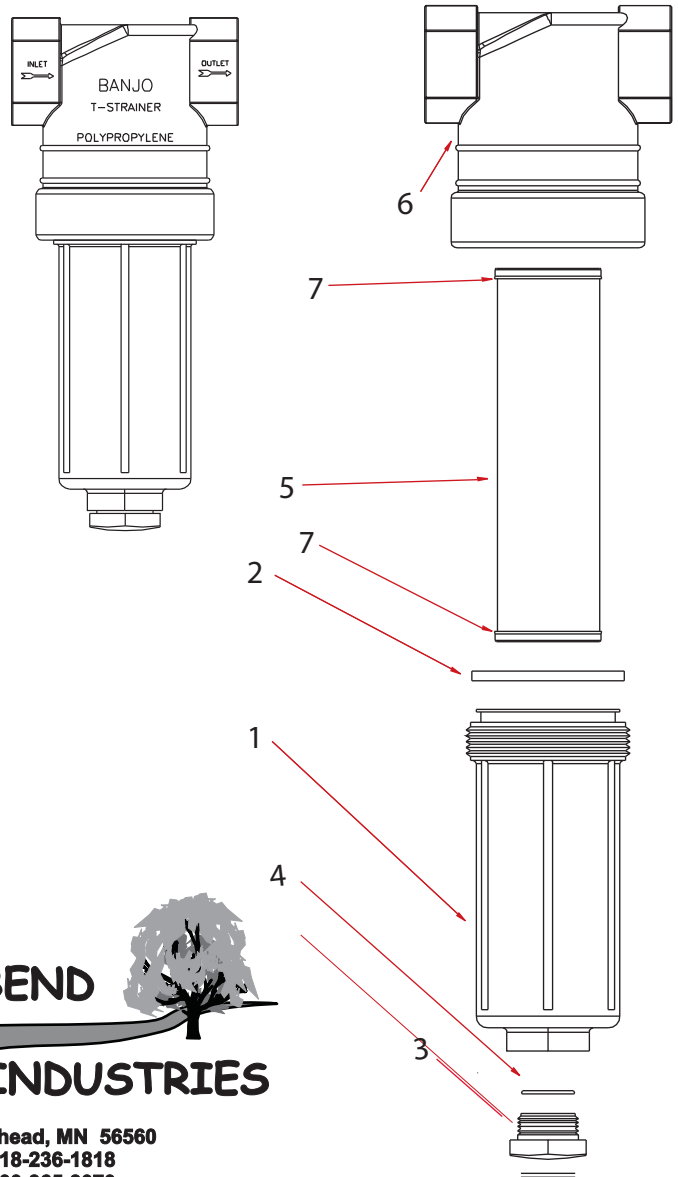




# Banjo T Line Strainers

REPLACEMENT PARTS 3/4" AND 1" POLY "T" STRAINER			
ITEM	PART NO	DESCRIPTION	QTY
1	LST100-B*	Poly "T" Strainer Bowl (Fits 3/4" & 1") Includes Items 1, 3 & 4	1
2	LST100-G	Poly "T" Strainer Gasket (Fits 3/4" & 1")	1
2	LST100-GV	Poly "T" Strainer Gasket (Fits 3/4" & 1") FKM (viton type)	1
3	12777	Clean-Out Plug - 1/2"	1
4	UV15163	O-Ring for Clean-Out Plug - EPDM	1
4	UV15163V	O-Ring for Clean-Out Plug-FKM (viton type)	1
5	LST116	16 Mesh Screen (Fits 3/4" & 1" "T" strainer)	1
5	LST130	30 Mesh Screen (Fits 3/4" & 1" "T" strainer)	1
5	LST150	50 Mesh Screen (Fits 3/4" & 1" "T" strainer)	1
5	LST180	80 Mesh Screen (Fits 3/4" & 1" "T" strainer)	1
5	LST1100	100 Mesh Screen (Fits 3/4" & 1" "T" strainer)	1
6	LST100-H	1" Poly "T" Strainer Head	1
6	LST075-H	3/4" Poly "T" Strainer Head	1
7	13778	EPDM O-Ring (Fits 3/4" & 1" Screens)	1
N/S	LST0 75-HB	3/4" Poly "T" Strainer Head, Bowl & Gasket	1
N/S	LST 100-HB	1" Poly "T" Strainer Head, Bowl & Gasket	1

NOTE: Items marked with asterisk\* include parts 1, 3 and 4.



Moorhead, MN 56560  
218-236-1818  
800-365-3070  
www.riverbendind.com

REPLACEMENT PARTS 1-1/4" AND 1-1/2" POLY "T" STRAINER			
ITEM	PART NO	DESCRIPTION	QTY
1	LST150-B*	Poly "T" Strainer Bowl (Fits 1 1/4" & 1 1/2") Includes Items 1, 3 & 4	1
2	LST150-GV	Poly "T" Strainer Gasket - FKM (viton type) (Fits 1 1/4" & 1 1/2")	1
2	LST150-G	Poly "T" Strainer Gasket (Fits 1 1/4" & 1 1/2")	1
3	LSQ200-PL	Clean-Out Plug	1
4	LSQ200-R	O-Ring for Clean-Out Plug - EPDM	1
4	LSQ200-RV	O-Ring for Clean-Out Plug - FKM (viton type)	1
5	LST1516	16 Mesh Screen (Fits 1 1/4" & 1 1/2" "T" strainer)	1
5	LST1530	30 Mesh Screen (Fits 1 1/4" & 1 1/2" "T" strainer)	1
5	LST1550	50 Mesh Screen (Fits 1 1/4" & 1 1/2" "T" strainer)	1
5	LST1580	80 Mesh Screen (Fits 1 1/4" & 1 1/2" "T" strainer)	1
5	LST15100	100 Mesh Screen (Fits 1 1/4" & 1 1/2" "T" strainer)	1
6	LST125-H	1 1/4" Poly "T" Strainer Head	1
6	LST150-H	1 1/2" Poly "T" Strainer Head	1
7	LST034G	EPDM O-Ring (Fits 1 1/4" & 1 1/2" Screens)	1
N/S	LST125-HB	1 1/4" Poly "T" Strainer Head, Bowl & Gasket	1
N/S	LST150-HB	1 1/2" Poly "T" Strainer Head, Bowl & Gasket	1

NOTE: Items marked with asterisk\* include parts 1, 3 and 4.

REPLACEMENT PARTS 2" "T" STRAINERS (316 SS HD W/POLY BOWL)			
ITEM	PART NO	DESCRIPTION	QTY
1	LST200-B*	2" "T" Strainer Poly Bowl	1
2	LST200-GV	2" "T" Strainer Gasket - FKM (viton type)	1
3	LSQ200-PL	1" Clean-Out Plug	1
4	LSQ200-RV	O-Ring for Clean-Out Plug - FKM (viton type)	1
5	LST204SS	4 Mesh Screen (Fits 2" "T" Strainer)	1
5	LST206SS	6 Mesh Screen (Fits 2" "T" Strainer)	1
5	LST208SS	8 Mesh Screen (Fits 2" "T" Strainer)	1
5	LST210SS	10 Mesh Screen (Fits 2" "T" Strainer)	1
5	LST216SS	16 Mesh Screen (Fits 2" "T" Strainer)	1
5	LST230SS	30 Mesh Screen (Fits 2" "T" Strainer)	1
5	LST250SS	50 Mesh Screen (Fits 2" "T" Strainer)	1
5	LST280SS	80 Mesh Screen (Fits 2" "T" Strainer)	1
5	LST2100SS	100 Mesh Screen (Fits 2" "T" Strainer)	1
6	LST200-HSS	2" "T" Strainer 316 S.S. Head	1
N/A	LST200-HBSS	2" "T" Strainer 316 S.S. Head, Poly Bowl and Gasket	1

NOTE: Items marked with asterisk\* include parts 1, 3 and 4.