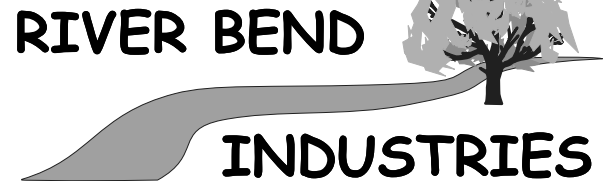
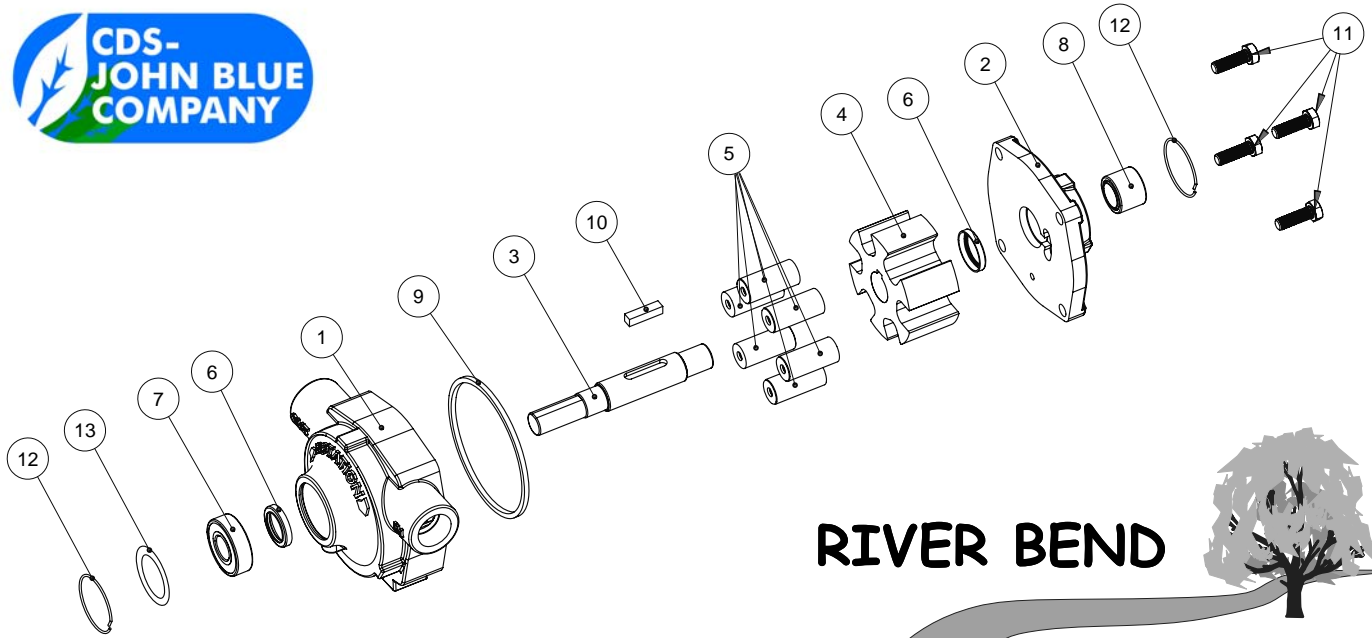


# 6900 Roller Pump



Moorhead, MN 56560  
 218-236-1818  
 800-365-3070  
[www.riverbendind.com](http://www.riverbendind.com)

## 6900 Series RollerPRO® Pump Parts

Ref #	Part#	Description	Qty/ Pump
1	—	Body	1
2	—	End Plate	1
3	31610	Shaft	1
4	36610	6-Roller Rotor for Cast Iron Models	1
	36615	6-Roller Rotor for Diamond SS Models	
5	19341	Ultra Rollers 11/16" Diameter	6
6	37801	Shaft Seal	2
7	15072	Ball Bearing	1
8	38801	Needle Bearing	1
9	24819	Seal Ring	1
10	40801	Shaft Key	1
11	—	Hex Head Screw- 3/8-16UNC x 1-1/8"	4
12	15070	Snap Ring	2
13		Name Plate:	1
	40610-1	6900C (Cast Iron)	
	40610-2	6900C-R (Cast Iron Reverse Rotation)	
	40610-3	6900DSS (Diamond Stainless Steel)	
	40610-4	6900DSS-R (Diamond Stainless Steel Reverse Rotation)	

## RollerPRO® Repair Kit

Part #: RK-6900 Complete kit of all parts for repair of all 6-RollerPRO Pump models Including:

Part #	Description	Qty/Kit
19341	Ultra Rollers 11/16" Diameter	6
37801	Shaft Seal	2
24819	Seal Ring	1
40801	Shaft Key	1

## Accessories

Torque Bar and Chain Part #: 33680  
 Required to anchor PTO-mounted pumps in order to keep pump from rotating with the shaft

Coupler Part #: 46814-1  
 For 1-3/8" diameter PTO; 5/8" pump shaft; dual speed 540-1000 RPM; corrosion-resistant cast aluminum, nylon collar; mounting hardware included