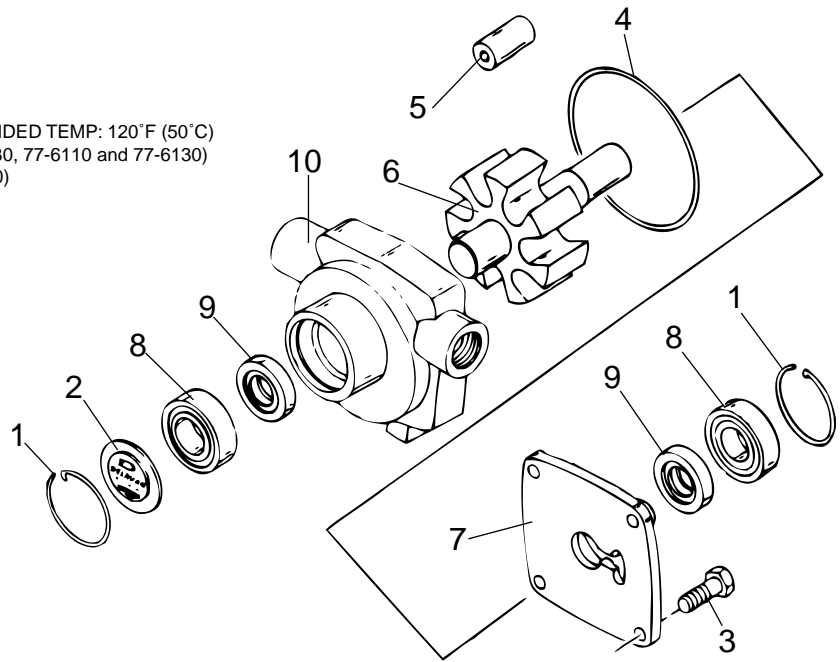


6, 7 & 8 Roller Pumps

MAX RECOMMENDED PRESSURE: 300 psig(2000 kPa) • MAX. RECOMMENDED TEMP: 120°F (50°C)
 • MAX.RECOMMENDED PTO SPEED: 850 RPM (for models 77-5110, 77-5130, 77-6110 and 77-6130)
 1000 RPM (for models 66-5110, 88-5110 and 88-6110)

| | | | | | |
|----------------------------|----------------------------------|---|---|---|---|
| Model Number System | 77- | 5 | 1 | 1 | 0 |
| PORTING: | | | | | |
| 6- | 6 Roller Side Port | | | | |
| 66- | 6 Roller Back-Port | | | | |
| 77- | 7 Roller Side Port | | | | |
| 88- | 8 Roller Side Port | | | | |
| CONSTRUCTION: | | | | | |
| 5- | Cast Iron, 11/16" roller design | | | | |
| 6- | Ni-Resist, 11/16" roller design | | | | |
| ROLLERS: | | | | | |
| 1- | Polypropylene | | | | |
| SEALS: | | | | | |
| 1- | Viton-A | | | | |
| 3- | Teflon (avail. on 7-Roller Pump) | | | | |
| ROTATION: | | | | | |
| 0- | Standard | | | | |
| 1- | Reverse | | | | |



DEHAVAN®

| Ref. No. | Part No. | Description | Quantity Required | | | | | | | | | | |
|----------|----------|--|-------------------|--------|---------|---------|---------|---------|---------|---------|---------|---------|---------|
| | | | 6-5110 | 6-5111 | 66-5110 | 77-5110 | 77-5111 | 77-5130 | 77-6110 | 77-6111 | 77-6130 | 88-5110 | 88-6110 |
| 1 | 15070 | Snap Ring | 2 | 2 | 2 | - | - | - | - | - | - | - | - |
| | 15334 | Snap Ring | - | - | - | 2 | 2 | 2 | 2 | 2 | 2 | 2 | 2 |
| 2 | 46210 | Nameplate | 1 | 1 | 1 | - | - | - | - | - | - | - | - |
| | 46209 | Nameplate | - | - | - | 1 | 1 | 1 | 1 | 1 | 1 | 1 | 1 |
| 3 | 15077 | Capscrew | 4 | 4 | 4 | - | - | - | - | - | - | - | - |
| | 15341 | Capscrew | - | - | - | 4 | 4 | 4 | 4 | 4 | 4 | 4 | 4 |
| 4 | 24819 | Seal Ring | 1 | 1 | 1 | - | - | - | - | - | - | - | - |
| | 24829 | Seal Ring | - | - | - | 1 | 1 | 1 | 1 | 1 | 1 | 1 | 1 |
| 5 | 19341 | Roller, Polypropylene 11/16" | 6 | 6 | 6 | 7 | 7 | 7 | 7 | 7 | 7 | 8 | 8 |
| 6 | 31661-8 | Stainless Steel Shaft/Powdered Metal Rotor Assy. | 1 | 1 | 1 | - | - | - | - | - | - | - | - |
| | 31661-10 | SS Shaft/Pow. Metal Rotor Assy. | - | - | - | 1 | 1 | 1 | - | - | - | - | - |
| | 31661-11 | SS Shaft/Stainless Steel Rotor Assy. | - | - | - | - | - | - | 1 | 1 | 1 | - | - |
| | 31661-12 | SS Shaft/Pow. Metal Rotor Assy. | - | - | - | - | - | - | - | - | - | 1 | - |
| | 31661-13 | SS Shaft/SS Rotor Assy. | - | - | - | - | - | - | - | - | - | - | 1 |
| 7 | 31664-1 | End Plate, Cast Iron | 1 | 1 | 1 | - | - | - | - | - | - | - | - |
| | 31666-1 | End Plate, Cast Iron | - | - | - | 1 | 1 | 1 | - | - | - | 1 | - |
| | 31666-2 | End Plate, Ni-Resist | - | - | - | - | - | - | 1 | 1 | 1 | - | 1 |
| 8 | 15072 | Ball Bearing (Std. Brg. #6203ZZ) | 2 | 2 | 2 | - | - | - | - | - | - | - | - |
| | 16228 | Ball Bearing (Std. Brg. #6205ZZ) | - | - | - | 2 | 2 | 2 | 2 | 2 | 2 | 2 | 2 |
| 9 | 20468 | Lip Seal, Viton | - | - | - | - | - | - | - | - | - | - | - |
| | 20469 | Lip Seal, Viton | - | - | - | 2 | 2 | - | 2 | 2 | - | 2 | 2 |
| | 25230 | Lip Seal, Teflon | - | - | - | - | - | 2 | - | - | 2 | - | - |
| | 50047 | Lip Seal, Teflon | 2 | 2 | 2 | - | - | - | - | - | - | - | - |
| 10 | 24817 | Pump Body, Cast Iron | - | - | 1 | - | - | - | - | - | - | - | - |
| | 24842-1 | Pump Body, Cast Iron | - | - | - | 1 | 1 | 1 | - | - | - | - | - |
| | 24842-2 | Pump Body, Ni-Resist | - | - | - | - | - | - | 1 | 1 | 1 | - | - |
| | 24842-3 | Pump Body, Cast Iron | - | - | - | - | - | - | - | - | - | 1 | - |
| | 24842-4 | Pump Body, Ni-Resist | - | - | - | - | - | - | - | - | - | - | 1 |
| | 50073-1 | Pump Body, Cast Iron | 1 | 1 | - | - | - | - | - | - | - | - | - |

Pump Repair Kits

Roller Pump Repair Kits Part Lis

| Part No. | To Repair These Pumps | Description | Part No. | Description | Qty. Req'd for these Repair Kits | | | |
|----------|--|-----------------------------------|----------|-----------------------|----------------------------------|---------|---------|---------|
| | | | | | 48394-1 | 48394-2 | 48394-3 | 48394-4 |
| 48394-1 | Delavan 66-5510, 6-5510, 6-5111 | Six 11/16" rollers, Viton Seals | 19341 | Roller, Poly., 11/16" | 6 | 7 | 8 | 7 |
| | | | 20469 | Shaft Seal, Viton-A | - | 2 | 2 | - |
| 48394-2 | Delavan 77-5110, 77-5111, 77-6110, 77-6111 | Seven 11/16" rollers, Viton Seals | 20468 | Shaft Seal, Viton-A | 2 | - | - | - |
| | | | 25203 | Shaft Seal, Teflon | - | - | - | 2 |
| 48394-3 | Delavan 88-5110, 88-6610 | Eight 11/16" rollers, Viton Seals | 24829 | Seal Ring | - | 1 | 1 | 1 |
| 48394-4 | Delavan 77-5130, 77-6130 | Seven 11/16" Teflon Seals | 24819 | Seal Ring | 1 | - | - | - |