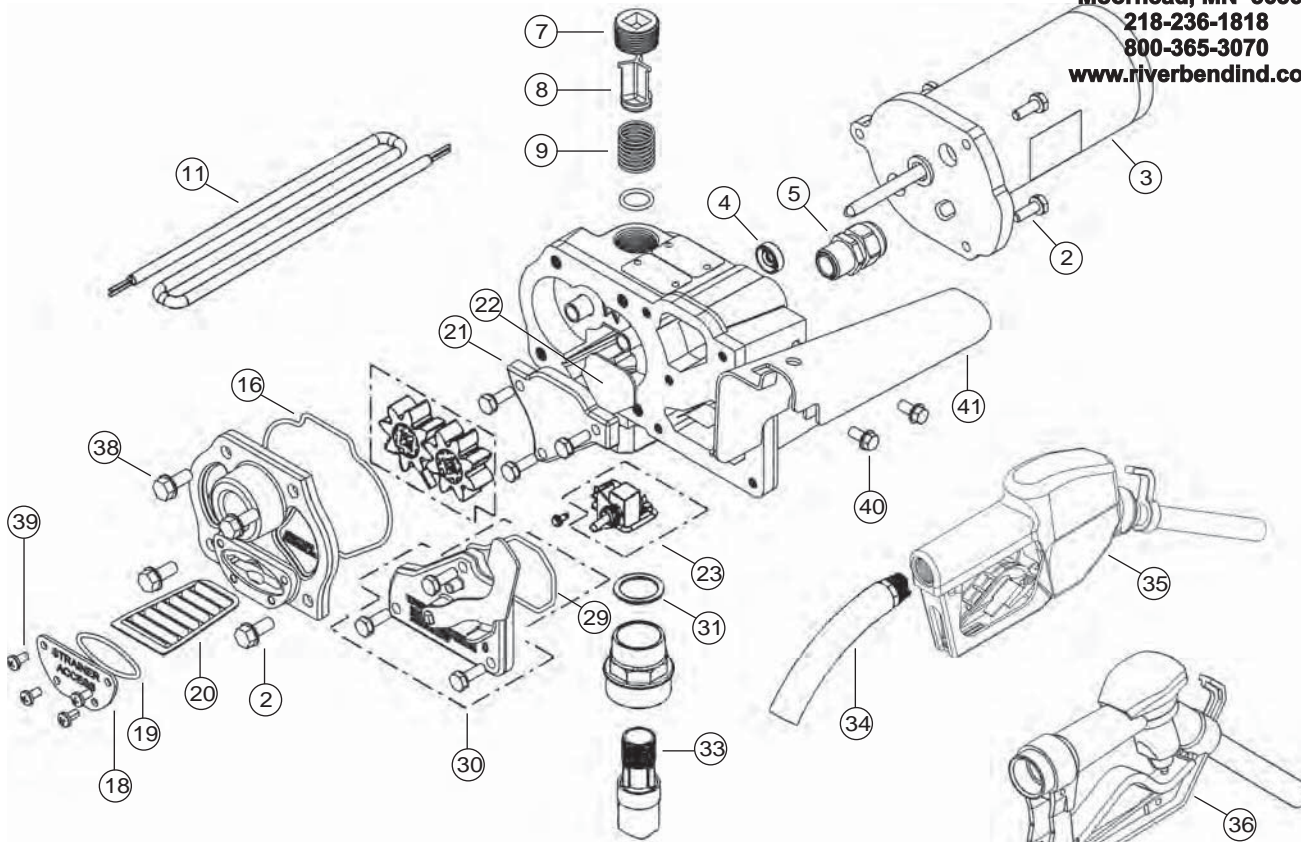


# ILLUSTRATED PARTS LIST M-150S Series

**RIVER BEND**  
**INDUSTRIES**



Moorhead, MN 56560  
218-236-1818  
800-365-3070  
www.riverbendind.com



Item No.	Part No.	Description	No. Req'd.
2	904002-23	Sems Screw, 1/4-20 x 3/4 in. ....	9
3	119000-1	Motor, 12-volt (UL) (M-150S) .....	1
	119001-1	Motor, 12-volt (UL) (M-180S) .....	1
	119000-2	Motor, 24-volt (UL) (M-240S) .....	1
4	11002502	Seal, Motor Shaft .....	1
5	904002-17	Strain Relief Sealing Grip (12-volt & 24-volt) ...	1
7	904001-42	Pipe Plug, 3/4 inch .....	1
8	110010-1	Bypass Poppet .....	1
9	110131-2	Spring, Bypass Poppet (M-150S, M-240S) ....	1
	110011-2	Spring, Bypass Poppet (M-180S) .....	1
11	110265-02	Power Cord, 12 ga. x 18 ft. (5.5 m) .....	1
16	110026-1	Gear Coverplate O-Ring .....	1
18	110024-1	Coverplate, Strainer .....	1
19	110026-4	Strainer Coverplate O-Ring .....	1
20	110009-1	Inlet Strainer .....	1
21	110195-02	Coverplate, Electrical .....	1
22	110285-01	Electrical Coverplate Gasket .....	1
23	110277-05	M-150 Switch Assembly .....	1
	110277-06	M-240S Switch Assembly .....	1
	110277-07	M-180S Switch Assembly .....	1
29	110026-6	Switch Coverplate O-Ring .....	1
30	110276-01	Switch Coverplate Assembly .....	1
31	110032-1	Gasket, Union Ring .....	1
33	110100-1	Suction Pipe Assembly .....	1
34	110187-1	Hose, 3/4 in. x 12 ft., (3.7 m) .....	1
	110188-1	Hose, 1 in. x 12 ft., (3.7 m) (M-180S only) .....	1
35	110121-8	Nozzle, Automatic 3/4 in., Unleaded (UL) .....	1
	110120-1	Hook for Automatic Nozzle .....	1
	904001-88	Set Screw for Nozzle Hook .....	1
36	110155-1	Nozzle, Manual 3/4 in., Unleaded .....	1
	110155-3	Nozzle, Manual 1 in., Leaded .....	1
38	904002-24	Sems Screw .....	4
39	904002-22	Sems Screw .....	4
40	904006-86	Tapping Screw .....	2
41	110360-01	Nozzle Cover .....	1

## Items Not Shown

110016-1	Inlet Fitting
110122-1	Reducer (M-180S only)
110158-1	Union Ring
110191-1	Jumper Wire
110500-01	15-amp Fuse Kit (M-240S)
110500-02	25-amp Fuse Kit (M-150S)
110500-03	30-amp Fuse Kit (M-180S)
110504-1	Fuel Pump Overhaul Kit - Includes 2 Gears, Drive Key & O-Rings
110524-1	Armature Assembly Kit (M-150S)
110524-2	Armature Assembly Kit (M-240S)
110525-1	Brush Card Assembly Kit - Includes Brush Holder Assembly
110526-1	Motor Housing Kit - Includes Motor Housing Assembly
110527-1	Battery Clamp Kit - Includes 2 Battery Clamps
110530-01	Nozzle Spout
110906-1	Wet Seal Kit - Includes O-Rings & Motor Shaft Seal
110907-1	Gear Kit - Includes 2 Gears & Drive Key
110908-1	Poppet Seal Kit - Includes Poppet O-Ring
110909-1	Bung Adapter Kit
110910-02	Switch Kit - Includes Switch
110913-2	Spare Key Kit - Includes Spare Drive Key
110927-04	Gear Coverplate Kit (M-150S, M-240S)
110927-05	Gear Coverplate Kit (M-180S)
111501-1	Adapter Kit
115527-2	Suction Pipe Extension, 15 inch
902006-31	M-150S Motor Protector Only
902006-38	M-180S Motor Protector Only
906001-4	Pre-Vent Vapor Control Cap (3 psi)