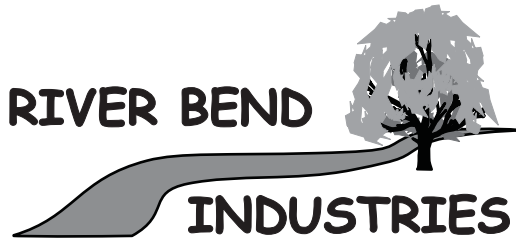
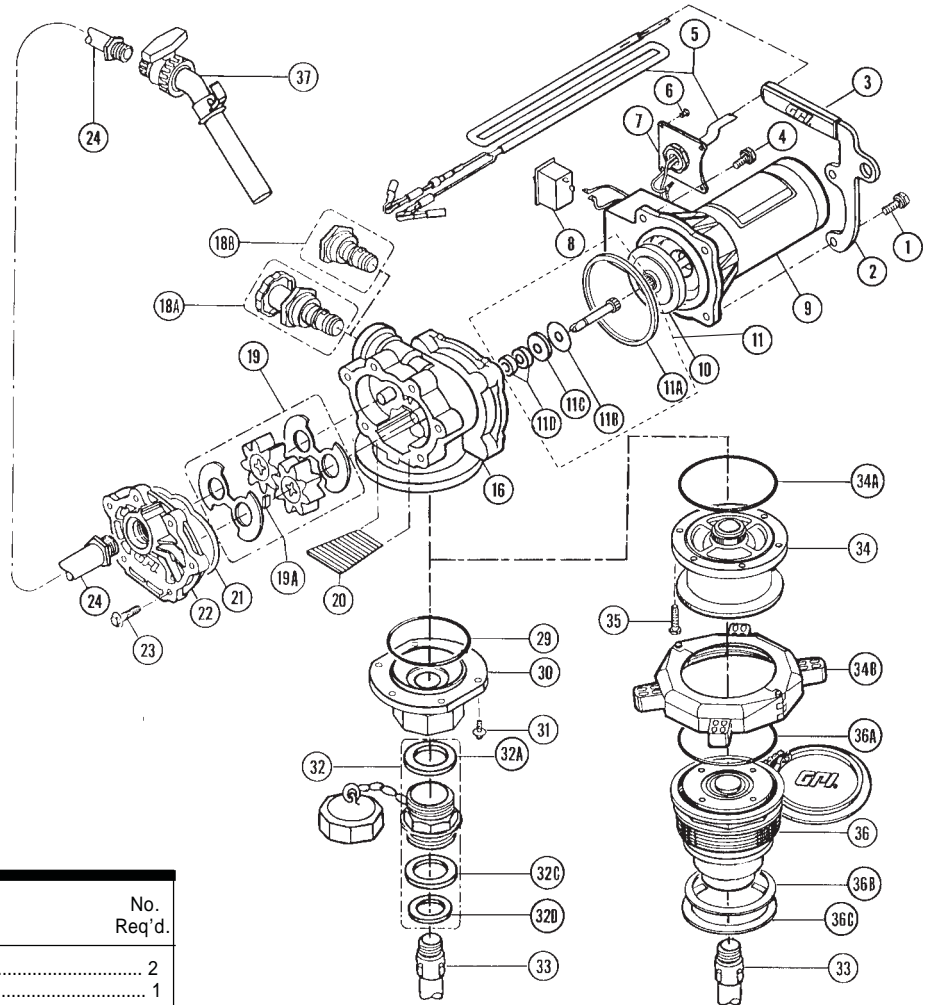


# Herbicide

Series P-120H and P-200H  
12-Volt Plastic Utility Pumps



Moorhead, MN 56560  
218-236-1818  
800-365-3070  
www.riverbendind.com



NOTE: Bung, hose, suction pipe, and nozzle are common accessories.

Item No.	Part No.	Description	No. Req'd.
1	904003-92	Sems Screw, 5/16-18 x 7/8 in. ....	2
2	118021-1	Handle .....	1
3	118023-1	Handle Grip .....	1
4	904002-24	Sems Screw, 5/16-18 x 3/4 in. ....	2
5	115016-1	Power Cord Assembly, 15 ft. (P-120H) .....	1
	110215-1	Power Cord Assembly, 15 ft. (P-200H) .....	1
6	904001-99	Pan HD Screw, 8-32 x 5/16 in. ....	4
7	119077-2	Switch Coverplate .....	1
8	902002-91	Rocker Switch .....	1
9	119002-17	Motor Assembly, 12-volt DC (P-120H) .....	1
	119002-18	Motor Assembly, 12-volt DC (P-200H) .....	1
10	906001-67	Planetary Gear Module (P-200H) .....	1
	904003-50	Sems Screw, 8-32 x 11/16 in. (P-200H) not shown ...	4
	118016-1	Shaft Adapter (P-120H) not shown .....	1
11	118505-1	Drive Shaft Kit .....	1
11A	901001-91	Motor Adapter Seal or (Kit <b>A</b> ) .....	1
11B	904003-70	Motor Shaft Washer or (Kit <b>A</b> ) .....	1
11C	110078-8	Motor Shaft Seal or (Kit <b>A</b> ) .....	1
11D	118020-1	Bearing or (Kit <b>A</b> ) .....	2
16	118006-1	Pump Housing .....	1
18-A	118507-1	Bypass Poppet Assy Kit (P-120) 4-inch .....	1
	118508-1	Bypass Poppet Assy Kit (P-200H) 4-inch .....	1
18-B	118508-2	Bypass Poppet Assy Kit (P-120H/P-200H) 2-inch ..	1
19	118501-1	Gear Kit (P-120H) .....	1
	118502-1	Gear Kit (P-200H) .....	1
19-A	110913-2	Key .....	1
20	110063-2	Inlet Strainer .....	1
21	118017-1	Coverplate O-Ring .....	1

Item No.	Part No.	Description	No. Req'd.
22	118007-1	Coverplate .....	1
23	904003-49	Sems Screw, 1/4-20 x 1 in. ....	6
24	110189-2	EPDM Hose, 1 in. x 12 ft. (optional) .....	1
29	901002-38	Inlet O-Ring .....	1
30	115018-5	Lower Cover Assembly, 2-inch .....	1
31	904003-91	Sems Screw, 1/4-20 x 3/4 in. ....	2
32	115090-5	Bung Adapter Assembly .....	1
32-A	114029-2	EPDM Gasket .....	1
32-C	115085-1	Teflon® Gasket .....	1
32-D	115084-1	EPDM Gasket .....	1
33	110100-2	Adjustable Suction Pipe (optional) .....	1
34	118100-1	Inlet Module Assembly, 4-inch .....	1
34-A	901002-38	Inlet O-Ring .....	1
34-B	115542-3	Spin Collar Kit, with knobs .....	1
35	904003-91	Sems Screw, 1/4-20 x 3/4 in. ....	6
36	115500-4	Bung Adapter Assembly, 4-inch .....	1
36-A	901002-11	O-Ring .....	1
36-B	115547-1	Teflon® Gasket .....	1
36-C	115509-2	EPDM Gasket .....	1
37	110107-2	Discharge Nozzle (optional) .....	1
	118016-1	P-120 Shaft Adapter (not shown) .....	1

## Kits and Accessories

- 110527-1 Battery Clamp Kit.
- 111502-2 Herbicide Hose and Nozzle Kit includes 1 in. x 12 ft. (3.7m) EPDM hose, ball valve nozzle and adjustable suction pipe.
- 118503-1 Overhaul Kit (P-120H) includes a coverplate O-Ring, motor shaft seal, motor adapter seal, inlet O-Ring, camplug O-Ring, bypass poppet O-Ring, plunger O-Ring, key and two gears.
- 118504-1 Overhaul Kit (P-200H).
- A** 118505-1 Drive Shaft Kit includes two bearings, motor shaft seal, motor shaft washer, drive shaft assembly and motor adapter seal.

- 118506-1 Seal Kit includes the coverplate O-Ring, motor shaft seal, motor adapter seal, inlet O-Ring, camplug O-Ring, poppet O-Ring and plunger O-Ring.
- 118509-1 4-inch Inlet Fitting to convert 2-inch pump to 4-inch.
- 118509-3 2-inch Inlet Fitting to convert 4-inch pump to 2-inch.
- 119052-1 Armature Assembly (P-120H).
- 119052-2 Armature Assembly (P-200H).
- 119063-2 Brush Holder Assembly.

# Herbicide

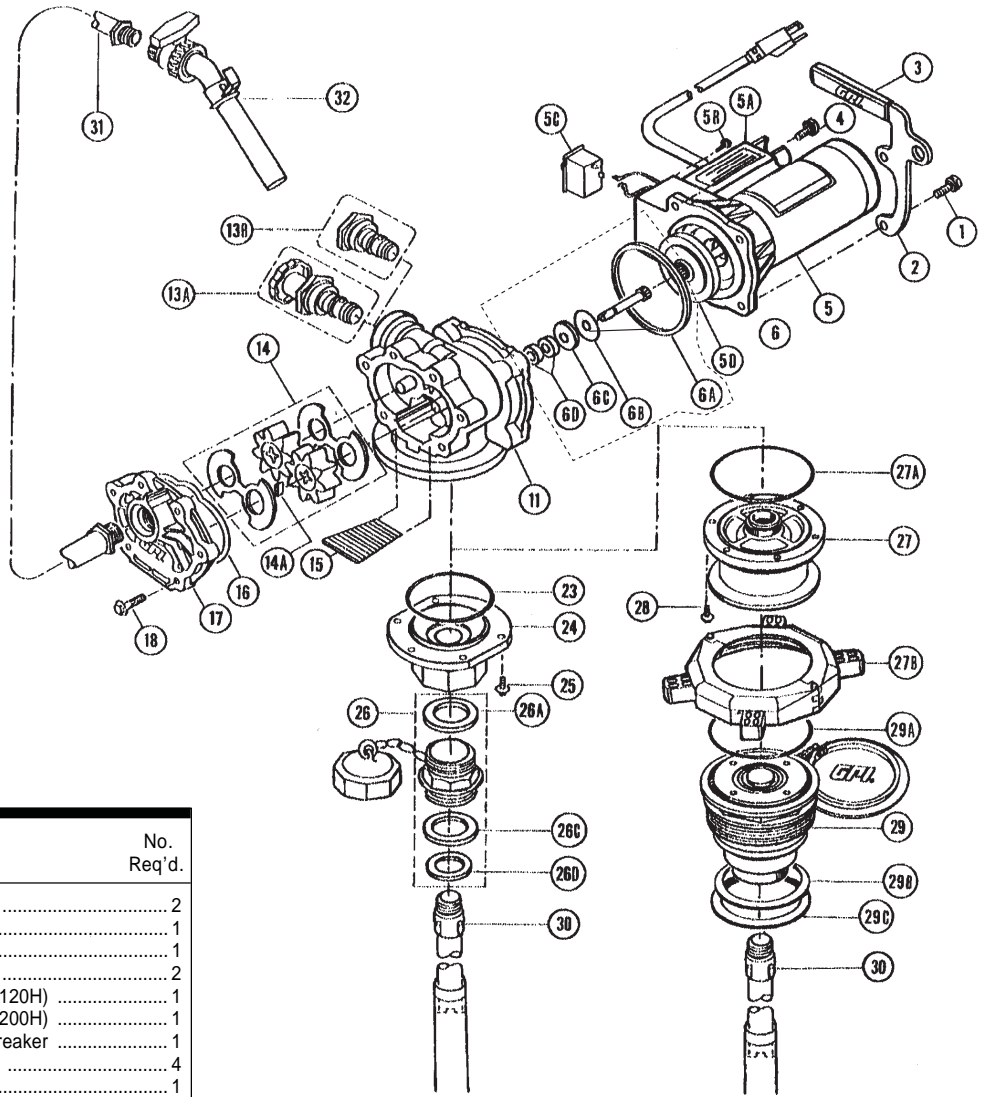
Series PA-120H and PA-200H  
115-Volt Plastic Utility Pumps

RIVER BEND



INDUSTRIES

Moorhead, MN 56560  
218-236-1818  
800-365-3070  
www.riverbendind.com



NOTE: Bung, hose, suction pipe, and nozzle are common accessories.

Item No.	Part No.	Description	No. Req'd.
1	904003-92	Sems Screw, 5/16-18 x 7/8 in. ....	2
2	118021-1	Handle .....	1
3	118023-1	Handle Grip .....	1
4	904002-24	Sems Screw, 5/16-18 x 3/4 in. ....	2
5	119006-1	Motor Assembly, 115-volt (PA-120H) .....	1
	119006-2	Motor Assembly, 115-volt (PA-200H) .....	1
5A	119107-1	Cover Assembly with Circuit Breaker .....	1
5B	904001-99	Pan HD Screw, 8-32 x 5/16 in. ....	4
5C	902002-91	Rocker Switch .....	1
5D	906001-67	Planetary Gear Module (PA-200H).....	1
	904003-50	Sems Screw, 8-32 x 11/16 in. (PA-200H) not shown ..	4
	118016-1	Shaft Adapter (PA-120H) not shown .....	1
6	118505-1	Drive Shaft Kit .....	1
6A	901001-91	Motor Adapter Seal or (Kit <b>A</b> ) .....	1
6B	904003-70	Motor Shaft Washer or (Kit <b>A</b> ) .....	1
6C	110078-8	Motor Shaft Seal or (Kit <b>A</b> ) .....	1
6D	118020-1	Bearing or (Kit <b>A</b> ) .....	2
11	118006-1	Pump Housing .....	1
13A	118508-1	Bypass Poppet Assembly Kit, 4-inch .....	1
13B	118508-2	Bypass Poppet Assembly Kit, 2-inch .....	1
14	118501-1	Gear Kit (PA-120H) .....	1
	118502-1	Gear Kit (PA-200H) .....	1
14A	110913-2	Key Kit .....	1
15	110063-2	Inlet Strainer .....	1
16	118017-1	Coverplate O-Ring .....	1
17	118007-1	Coverplate .....	1
18	904003-49	Sems Screw, 1/4-20 x 1 in. ....	6
23	901002-38	Inlet O-Ring .....	1
24	115018-5	Lower Cover Assembly, 2-inch Union Ring .....	1
25	904003-91	Sems Screw, 1/4-20 x 3/4 in. ....	6

Item No.	Part No.	Description	No. Req'd.
26	115090-5	Bung Adapter Assembly, 2-inch Union Ring .....	1
26A	114029-2	EPDM Gasket .....	1
26C	115085-1	Teflon® Gasket .....	1
26D	115084-1	EPDM Gasket .....	1
27	118100-1	Inlet Module Assembly, 4-inch .....	1
27A	901002-38	Inlet O-Ring .....	1
27B	115542-3	Spin Collar Kit with Knobs .....	1
28	904003-91	Sems Screw, 1/4-20 x 3/4 in. ....	6
29	115500-4	Bung Adapter Assembly, 4-inch .....	1
29A	901002-11	O-Ring .....	1
29B	115547-1	Teflon® Gasket .....	1
29C	115509-2	EPDM Gasket .....	1
30	110100-2	Adjustable Suction Pipe .....	1
31	110189-2	EPDM Hose, 1 in. x 12 ft. ....	1
32	110107-2	Discharge Nozzle .....	1

## Kits and Accessories

- 118503-1 Overhaul Kit (P-120H) includes a coverplate O-Ring, motor shaft seal, motor adapter seal, inlet O-Ring, camplug O-Ring, bypass poppet O-Ring, plunger O-Ring, key and two gears.
- 118504-1 Overhaul Kit (P-200H).
- A** 118505-1 Drive Shaft Kit includes two bearings, motor shaft seal, motor shaft washer, drive shaft assembly and motor adapter seal.
- 118506-1 Seal Kit includes the coverplate O-Ring, motor shaft seal, motor adapter seal, inlet O-Ring, camplug O-Ring, poppet O-Ring and plunger O-Ring.
- 118509-1 4-inch Inlet Fitting Kit to convert 2-inch pump to 4-inch.
- 118509-3 2-inch Union Ring Inlet Fitting Kit to convert 4-inch pump to 2-inch.
- 115520-1 Valve Kit includes valve and ring.
- 111502-2 Herbicide Kit includes 1 in. x 12 ft. hose, ball valve nozzle and adjustable suction pipe.