

SECTION DRAWING

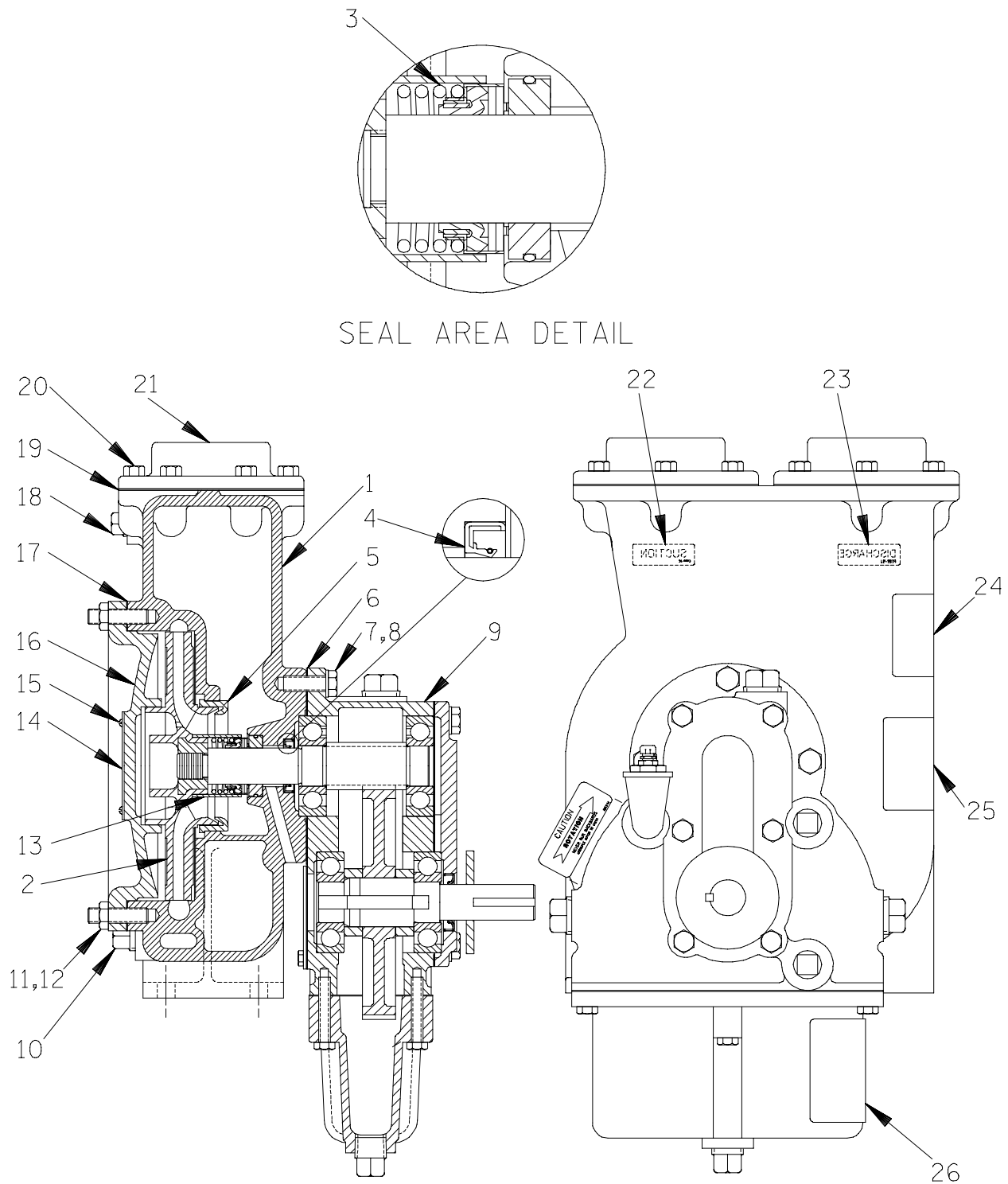


Figure 1. Pump Model 02F1-GR

PARTS LIST
Pump Model 02F1-GR
 (From S/N 642659 up)

If your pump serial number is followed by an "N", your pump is **NOT** a standard production model. Contact the Gorman-Rupp Company to verify part numbers.

ITEM NO.	PART NAME	PART NUMBER	MAT'L CODE	QTY
1	PUMP CASING	8751B	13040	1
2	IMPELLER	8101	1301F	1
3	* SEAL ASSEMBLY	25271-851	----	1
4	* OIL SEAL	25217-165	----	1
5	* WEAR RING	8099	14000	1
6	* GASKET	8102G	18000	1
7	HEX HEAD CAPSCREW	B0604	15991	3
8	LOCK WASHER	J06	15991	3
9	GEAR BOX ASSEMBLY	44161-020	----	1
10	PIPE PLUG	P06	15079	1
11	STUD	C0606	15991	8
12	HEX NUT	D06	15991	8
13	SEAL GUARD	31143-056	14090	1
14	NAME PLATE	38818-020	13990	1
15	DRIVE SCREW	BM#04-03	17000	4
16	COVER PLATE	11156	10010	1
17	* COVER PLATE GASKET	8098G	20000	1
18	PIPE PLUG	P04	15079	2
19	* FLANGE GASKET	9288A	20000	2
20	HEX HEAD CAPSCREW	B0603	15991	12
21	FLANGE	9586A	10010	2
22	SUCTION STICKER	6588AG	----	1
23	DISCHARGE STICKER	6588BJ	----	1
24	G-R DECAL	GR-02	----	1
25	GEAR LUBE DECAL	38816-077	----	2
26	LUBRICATION DECAL	8382B	----	REF
NOT SHOWN:				
	INSTRUCTION TAG	38817-039	----	1
	INSTRUCTION TAG	6588U	----	1

* INDICATES PARTS RECOMMENDED FOR STOCK

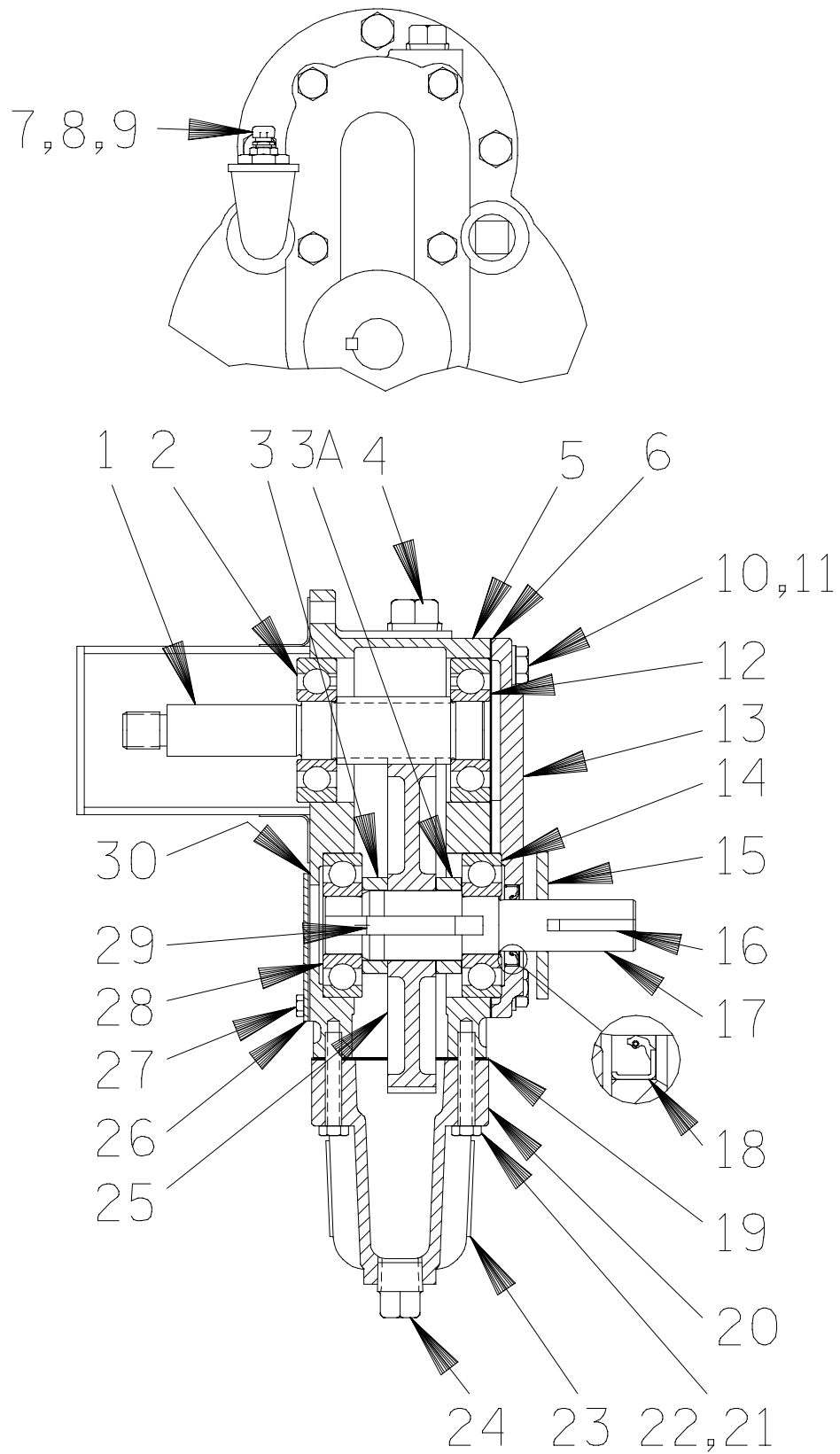


Figure 2. 44161-020 Gear Box Assembly

PARTS LIST
44161-020 Gear Box Assembly

ITEM NO.	PART NAME	PART NUMBER	MAT'L CODE	QTY
1	PINION SHAFT	38521-016	16020	1
2	* BALL BEARING	23275-206	---	1
3	SPACER SLEEVE	8104	15160	2
4	PIPE PLUG	P08	15079	1
5	GEAR BOX	8103B	10010	1
6	* GASKET	8097G	18000	1
7	AIR VENT	S1530	---	1
8	REDUCING PIPE BUSHING	AP0802	15079	1
9	STREET ELBOW	RS08	11999	1
10	HEX HEAD CAPSCREW	B0503	15991	6
11	LOCK WASHER	J05	15991	6
12	* BALL BEARING	23275-206	---	1
13	BEARING COVER	8097	10010	1
14	* BALL BEARING	S1120	---	1
15	SLINGER RING	31131-063	19330	1
16	* KEY	N0305	15990	1
17	DRIVE SHAFT	8095	15010	1
18	* OIL SEAL	S1617	---	1
19	* GASKET	10332G	18000	1
20	OIL SUMP	38354-032	13040	1
21	HEX HEAD CAPSCREW	B0406	15991	2
22	HEX HEAD CAPSCREW	B0403	15991	4
23	DECAL	8382B	---	2
24	PIPE PLUG	P08	15079	5
25	DRIVE GEAR	8022	16060	1
26	COVER PLATE	8120	15990	1
27	HEX HEAD CAPSCREW	BW#10-01-1/4S	15990	3
28	* BALL BEARING	S1120	---	1
29	* KEY	N0506	15990	1
30	* COVER GASKET	8120G	20020	1

* INDICATES PARTS RECOMMENDED FOR STOCK