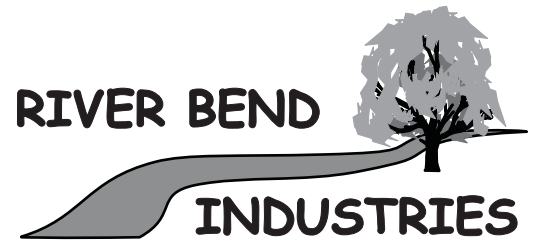
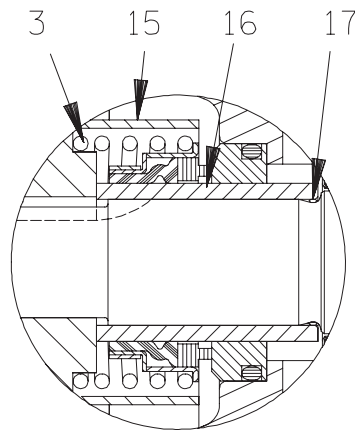


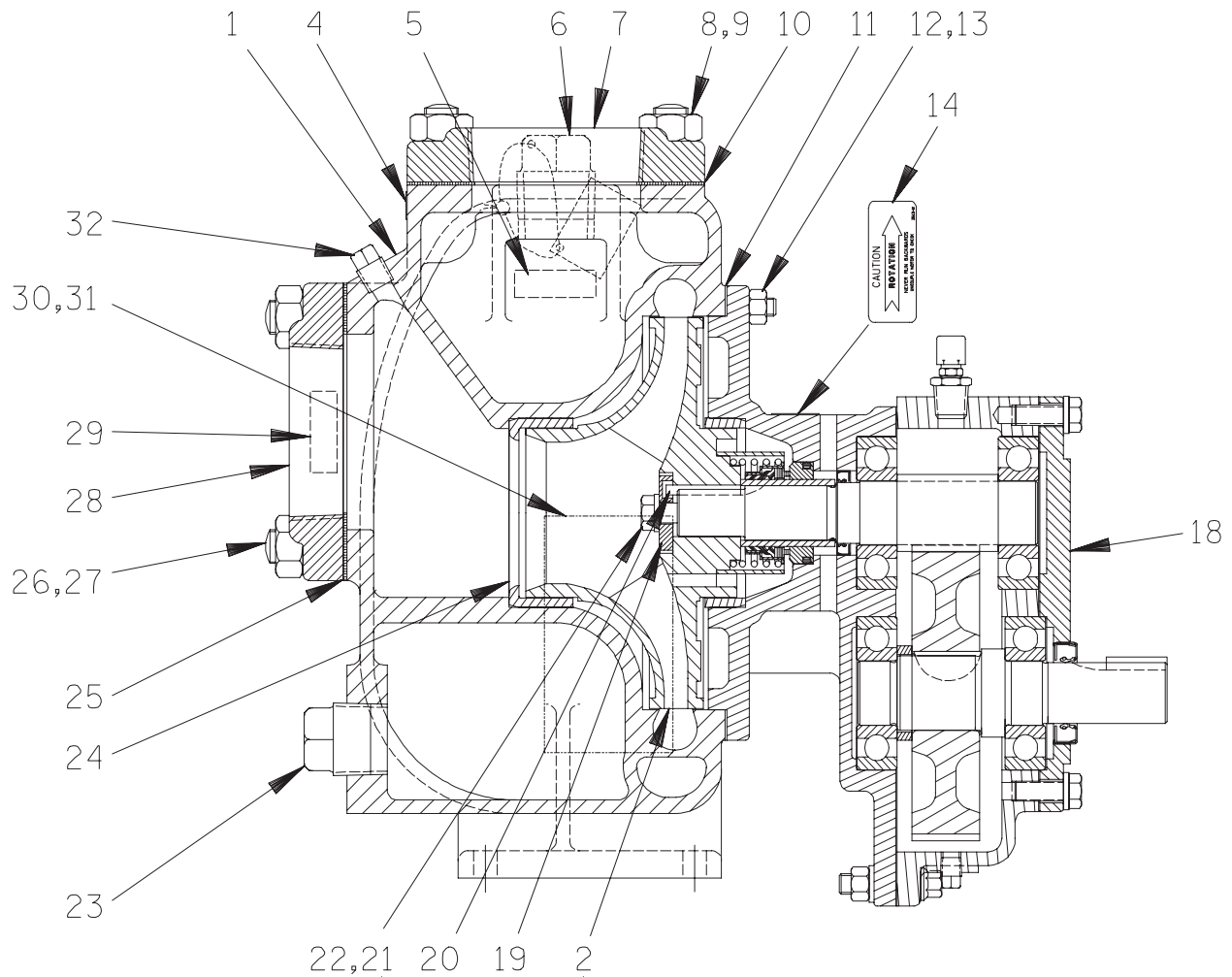
SECTION DRAWING



Moorhead, MN 56560
218-236-1818
800-365-3070
www.riverbendind.com



SEAL AREA DETAIL



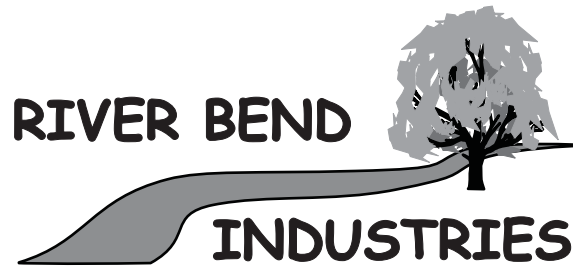
Pump Model 03H1-GL
Pump Model 03H1-GR

PARTS LIST

Pump Model 03H1-GL (From S/N 282480 up)

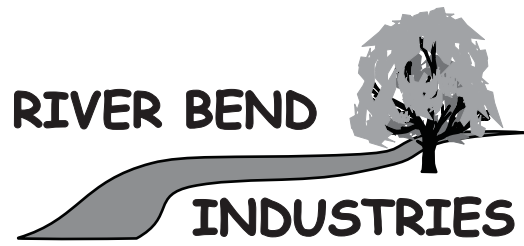
Pump Model 03H1-GR (From S/N 287634 up)

If your pump serial number is followed by an "N", your pump is NOT a standard production model. Contact the Gorman-Rupp Company to verify part numbers.



Moorhead, MN 56560
218-236-1818
800-365-3070
www.riverbendind.com

ITEM NO.	DESCRIPTION	PART NO. 03HI-GL	PART NO. 03HI-GR	MATERIAL CODE	QTY.
1	Pump Casing	46471-218	46471-219	13040	1
2	Impeller	8251	8251A	13010	1
3	Seal Assembly	25271-192		----	1
4	Discharge Sticker	588BJ		----	1
5	Fill Here To Prime Sticker	6588AH		----	1
6	Fill Plug Assy	48721-064		----	1
7	Discharge Flange	1390		13040	1
8	Stud	C1009		15991	4
9	Hexnut	D10		15991	4
10	Discharge Gasket	1318GB		20000	1
11	Discharge Casing Gasket Set	3GC		20010	1
12	Stud	C0605 1/2		15991	8
13	Hexnut	D06		15991	8
14	Rotation Decal	2613M		----	1
15	Seal Guard	9834		14090	1
16	Shaft Sleeve	9140		16000	1
17	Shaft Sleeve O-Ring	S1461		----	1
18	Gearbox Assembly	44161-014		----	1
19	Impeller Washer	6750		13090	1
20	Impeller Key	N0305-1/2		15990	1
21	Nylock Capscrew	BT0604		15991	1
22	Lockwasher	J06		15991	1
23	Casing Drain Plug	P20		11990	1
24	Wear Ring	62ZL5		14000	1
25	Suction Flange Gasket	1318GB		20000	1
26	Stud	C1009		15991	4
27	Hexnut	D10		15991	4
28	Suction Flange	1390		13040	1
29	Suction Sticker	6588AG		----	1
30	Name Plate	38818-018		13990	1
31	Drive Screw	BM#04-03		17000	4
32	Pipe Plug	P04		15079	1



Moorhead, MN 56560
218-236-1818
800-365-3070
www.riverbendind.com

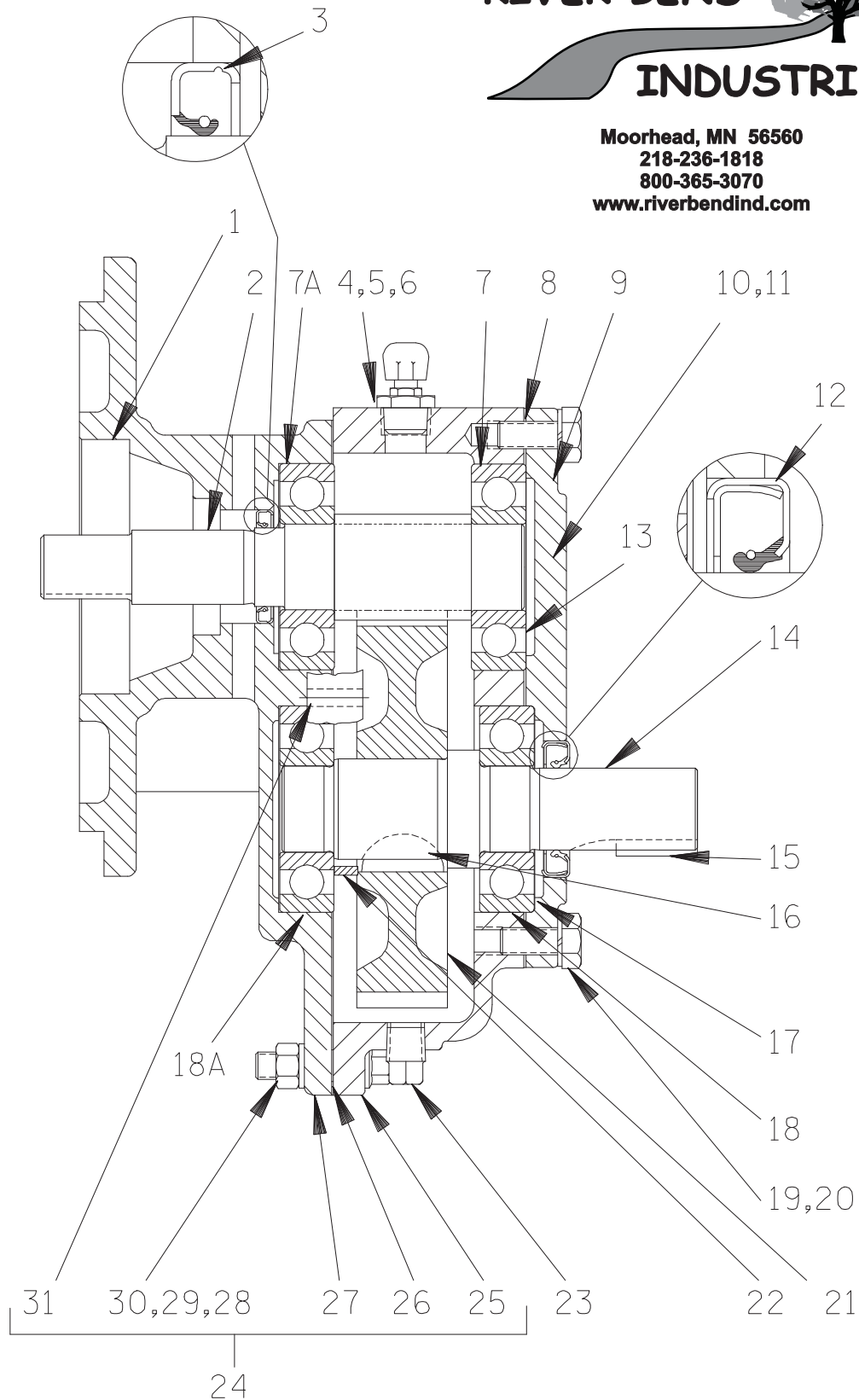


Figure 2. 44161-014 Gear Box Assembly

PARTS LIST
44161-014 Gear Box Assembly

ITEM NO.	PART NAME	PART NUMBER	MAT'L CODE	QTY
1	WEAR RING	62ZL6	14000	1
2	PINION SHAFT	8896	16020	1
3	* OIL SEAL	S1764	---	1
4	AIR VENT	S1530	---	1
5	REDUCING PIPE BUSHING	AP0602	15079	1
6	SHIPPING PLUG	11495A	15079	1
7	* BALL BEARING # 3306	S390	---	2
8	* GASKET	8871G	18000	1
9	COVER PLATE	8871	10010	1
10	LUBRICATION DECAL	38816- 239	---	1
11	PTO LUBRICATION DECAL	2613CO	----	1
12	* OIL SEAL	S389	---	1
13	* ADJUSTING SHIM SET	S464	---	1
14	DRIVE SHAFT	8837	16040	1
15	* KEY	N0404 1/2	15990	1
16	* WDF KEY	AV1210	15990	1
17	* ADJUSTING SHIM SET	S464	---	1
18	* BALL BEARING # 3306	S390	---	2
19	LOCK WASHER	J06	15991	6
20	HEX HEAD CAPSCREW	B0604	15991	6
21	HELICAL GEAR	8895	16060	1
22	SPACER	9142	15990	1
23	PIPE PLUG	P06	15079	5
24	GEAR HOUSING ASSEMBLY	8914	---	1
25	† - GEAR HOUSING	NOT AVAILABLE		1
26	- GASKET	8870G	18000	1
27	† - SEAL PLATE	NOT AVAILABLE		1
28	-HEX HEAD CAPSCREW WITH FLANGE	31871-065	15991	8
29	- LOCK WASHER	J06	15991	8
30	- HEX NUT	D06	15991	8
31	- DOWEL PIN	AA0403 1/2	15990	2

* INDICATES PARTS RECOMMENDED FOR STOCK

† INDICATES THE MATING SURFACES OF ITEMS 25 AND 27 ARE MACHINED AT THE FACTORY FOR A FLUSH FIT. THESE ITEMS ARE AVAILABLE ONLY BY ORDERING THE COMPLETE GEARBOX HOUSING ASSEMBLY (ITEM 24).