



Hannay Reels®

The reel leader.

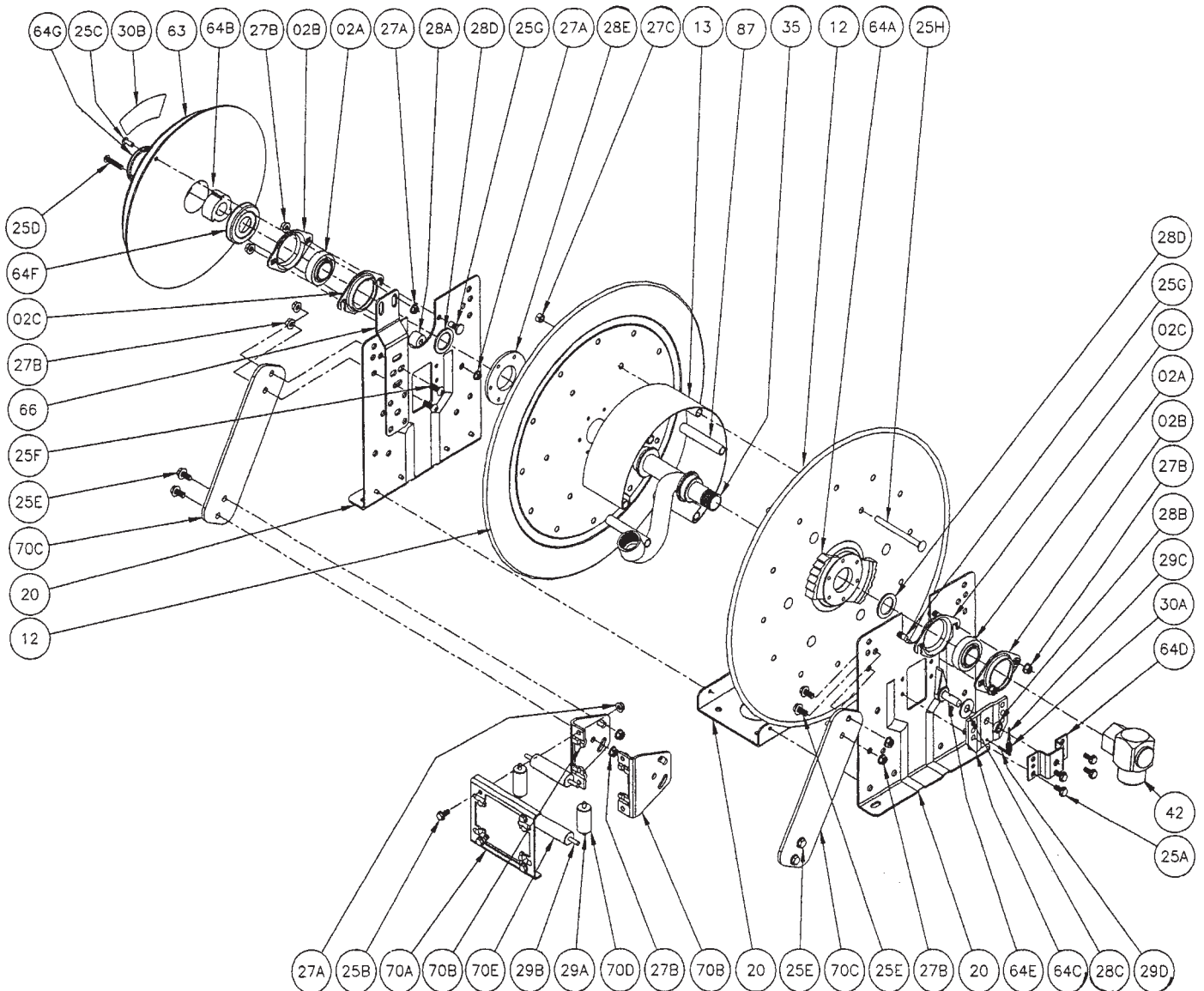
Hannay Reels, Inc., 553 State Route 143
Westerlo, NY 12193
Telephone 518-797-3791; Toll Free 1-877-GO-REELS (467-3357)
FAX 1-800-REELING (733-5464)
INT'L FAX (518) 797-3259
Website: www.hannay.com
E-mail: reels@hannay.com

ISO 81

PARTS LIST

N-800 SERIES

Spring Retractable Reels For Single Hose



RIVER BEND



INDUSTRIES

Moorhead, MN 56560
218-236-1818
800-365-3070
www.riverbendind.com

PARTS LIST
ISO 81
N-800 Series

When ordering parts

BE SURE TO SPECIFY COMPLETE MODEL NUMBER and SERIAL NUMBER OF REEL.

USE PART NUMBER!

<u>Item No.</u>	<u>Description</u>	<u>PART NUMBER</u>	<u>Quantity</u>
02A	Self-Aligning Bearing Insert	9902.1500	2
02B	Self-Aligning Bearing Holder.....	9902.2800	2
02C	Self-Aligning Bearing Holder (Slotted for N Series).....	9902.2801	2
12	19-20, 18-3/4" Dia. Disc (Specify Model & Front, Back)	9903.0821	2
12	23-24, 22-3/4" Dia. Disc (Specify Model & Front, Back)	9903.1121	2
12	25-26, 24-3/4" Dia. Disc (Specify Model & Front, Back)	9903.1321	2
13	Drum, 10-1/2" Dia. - Wrap Around (Specify Model).....	9905.0138	1
13	Drum, 15-1/2" Dia. - Wrap Around (Specify Model).....	9905.0178	1
20	Frame Assembly	Specify Model	1
25A	5/16"-18 x 3/4" Thread Cutting Hex Head Bolt.....	9958.0055	4
25B	5/16" x 3/4" Spinlock Bolt.....	9904.2101	4
25C	5/16"-18 x 3/4" Hex Socket Button Head Cap Screw.....	9904.9101	1
25D	5/16"-18 x 1-1/2" Hex Socket Button Head Cap Screw.....	9904.9104	1
25E	3/8"-16 x 3/4" Spinlock Bolt	9904.2201	6
25F	3/8"-16 Button Socket Head Cap Screw, 1" Long	9904.9202	2
25G	3/8"-16 x 7/8" Panhead Knurled Bolt.....	9904.4276	4
25H	3/8-16 x 3/4" Spinlock Bolt	9904.2201	as needed
27A	5/16" - 18 Spinlock Nut	9904.6100	4
27B	3/8"-16 Spinlock Nut	9904.6200	12
27C	3/8"-16 Hex Head Nut.....	9904.5200	6
28A	Spring Mounting Spacer (J).....	9922.0033	1
28A	Spring Mounting Spacer (A, B, D, & G).....	9922.0032	2
28B	Spacer, Ratchet Pawl.....	9922.0022	1
28C	1/2" Flat Washer	9954.0008	1
28D	1" Hub Spacer.....	9954.0021	as needed
28E	Disc Washer.....	9965.0015	1
29A	1/4" Dia. Stainless Steel Rod, 2-3/4" Long.....	9940.0190	2
29B	1/4" Dia. Stainless Steel Rod.....	Specify Model	2
29C	1/8" x 1" Stainless Steel Cotter Pin for Pawl & Pin	9922.0024	1
29D	3/16" x 1" Stainless Steel Cotter Pin for N Series Ratchet.....	9922.0028	1
30A	Ratchet Locking Spring.....	9922.0008	1
30B	Spring Under Tension Caution-Decal	9922.0010	1
35	1" Hub Assembly, Welded Iron Pipe w/ 1" FNPT Riser	Specify Model	1
42	1" 90 Degree FxF Balance Pressure Swivel Joint.....	9929.8538	1
63	Spring Motor, A (Specify Model)	9921.0010	1
63	Spring Motor, B (Specify Model)	9921.0015	1
63	Spring Motor, D (Specify Model).....	9921.0020	1
63	Spring Motor, G (Specify Model).....	9921.0021	1
63	Spring Motor, J (Specify Model).....	9921.0030	1
64A	Ratchet Wheel	9922.0015	1
64B	Spring Arbor for A & D Spring.....	9922.0001	1
64B	Spring Arbor for B, G, & J Spring	9922.0002	1
64C	Ratchet Pawl Housing, Inner (N Series).....	9922.0027	1
64D	Ratchet Pawl Housing, Outer (N Series).....	9922.0026	1
64E	Pawl & Pin.....	9922.0019	1
64F	Cap-Plug for Spring (Inner Side)	9922.0036	1
64G	Cap-Plug for Spring (Outer Side).....	9922.0037	1
66	Spring Mounting Bracket (N Series)	9922.0050	1
70A	Roller Bracket Frame.....	Specify Model	1
70B	N Series Roller Mounting Bracket.....	9940.0171	2
70C	N Series Roller Arm Only (Specify Model).....	9941.0030	2
70D	1" Dia. x 2" Long Roller for Stamped Housing	9940.0180	2
70E	1" Dia. Roller for Stamped Housing.....	Specify Model	2
87	Threaded Spacer Tube	Specify Model	as needed

