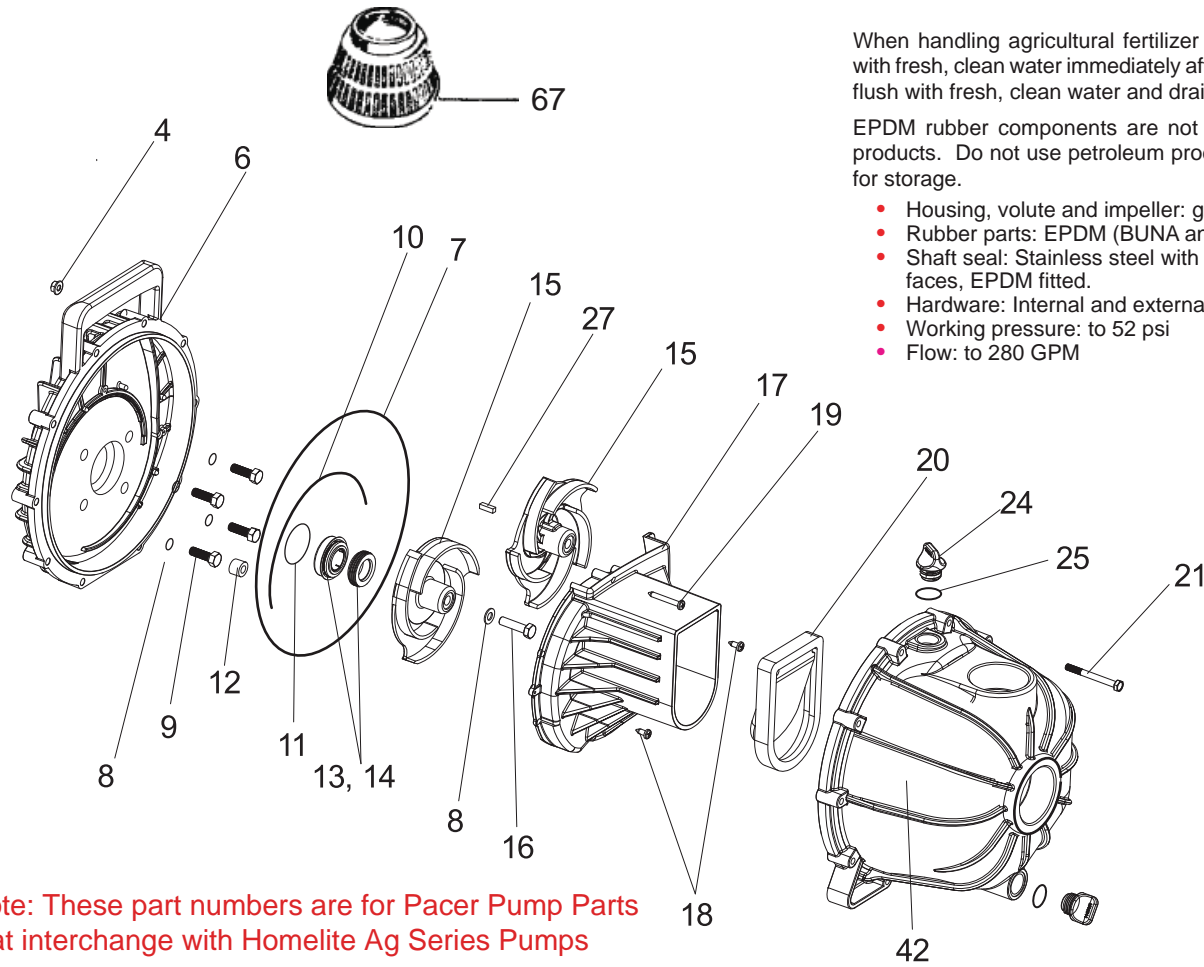


Homelite Models AP22B, AP32B, AP52B, AP52H, AP62B



When handling agricultural fertilizer and chemicals, flush pump with fresh, clean water immediately after use. Before storing pump, flush with fresh, clean water and drain completely.

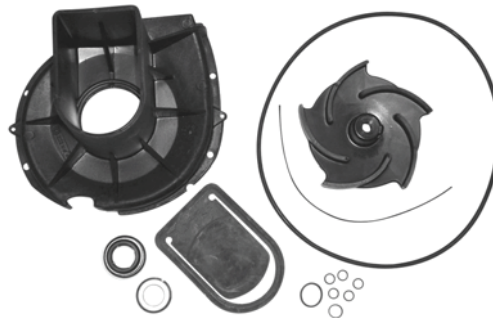
EPDM rubber components are not compatible with petroleum products. Do not use petroleum products when preparing pump for storage.

- Housing, volute and impeller: glass-reinforced polyester
- Rubber parts: EPDM (BUNA and Viton available)
- Shaft seal: Stainless steel with carbon and ceramic faces, EPDM fitted.
- Hardware: Internal and external stainless steel fasteners
- Working pressure: to 52 psi
- Flow: to 280 GPM

Note: These part numbers are for Pacer Pump Parts that interchange with Homelite Ag Series Pumps

Note: This parts list is intended for EPDM fitted pumps only

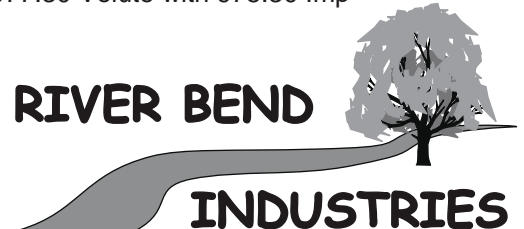
REF NO.	DESCRIPTION	QTY/PUMP	
4	Body nut (pre 2007)	10	58-0721 10
6	Bracket, W/Molded In Nuts	1	58-0703 30B
7	Body O-ring	1	58-0719 72
8	Screw O-ring	5	58-0717 72
9	Bracket screw	4	58-0715 10
10	O-ring segment	1	58-0754 72
11, 13 & 14	Shaft seal & O-ring	1	58-0714 12
15	Impeller 3 HP	1	58-0704 30
15	Impeller 5 HP	1	58-0706 30
16	Impeller screw	1	58-0716 10
17	Volute	1	58-0702 30
18	Side volute screw	2	58-0725 10
19	Top Volute Screw	1	58-0771 10
20	Check valve	1	58-0705 72
21	Body screw 2-7/16" (old)	10	58-0720 10
	Body screw 2" (new)	10	58-1206 10
22	O-ring, drain plug	1	58-1009 72
23	Drain plug	1	58-0723 30
24	Filler plug	1	58-0722 30B
25	O-ring, filler plug	1	58-0765 72
27	Key	1	58-0718
30	Shim (.006)	As Req'd	58-0778 11
	" (.015) "		58-0778 12
	" (.030) "		58-0778 13
42	Body, 2" Black	1	58-1002 30B
67	Strainer, Suction 2"	1	58-0733



Pacer Repair Kits:

Includes Seal, O-Rings, Flapper, Volute and Impeller

- 58-702EP-P 702.30 Volute with 704.30 Imp
- 58-702EP-U 702.30 Volute with 706.30 Imp
- 58-954EP-Y 954.30 Volute with 974.30 Imp
- 58-977EP-RS 977.30 Volute with 975.30 Imp



Moorhead, MN 56560
 218-236-1818
 800-365-3070
www.riverbendind.com