



## JD-9C AND CT SPRAY GUNS (38500 & 38501)

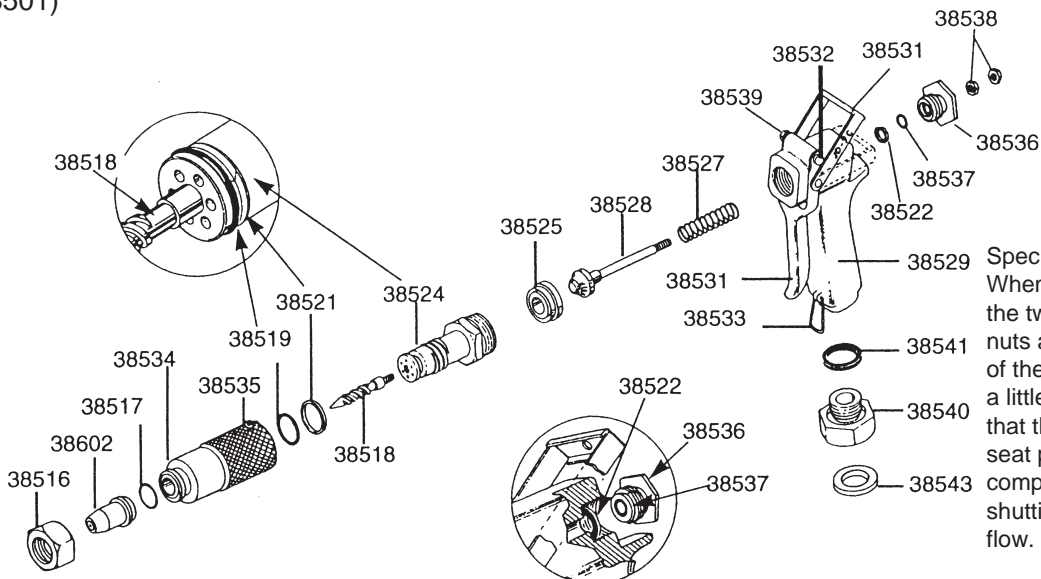
MAINTENANCE PARTS  
FOR GREEN GARDE®  
JD9-C AND CT SPRAY GUNS



O-Ring Kit 38510



Repair Kit 38511  
Includes Items  
marked with \*



Special Note:  
When tightening  
the two #38538  
nuts at the rear  
of the gun, allow  
a little slack so  
that the valve will  
seat properly,  
completely  
shutting off the  
flow.

Part No. Description

38516	Cap
* 38517	O-ring
38518	Whirler
* 38519	O-ring
* 38521	Back up ring
* 38522	Gland Packaging
38524	Adjuster Body
* 38525	Teflon Valve Seat
38527	Valve Spring

Part No. Description

38528	Stainless Steel Valve
38529	Grip (38530 tapped for gauge)
38531	Trigger Assembly
38532	Bolt, Stainless Steel
38533	Stopper Clip
38534	Adjuster Nut (barrel)
38535	Screw for adjuster nut
38536	Gland
* 38537	O-ring

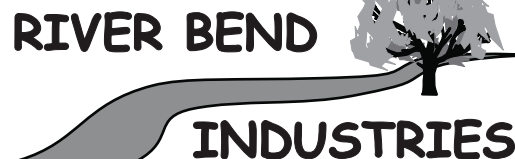
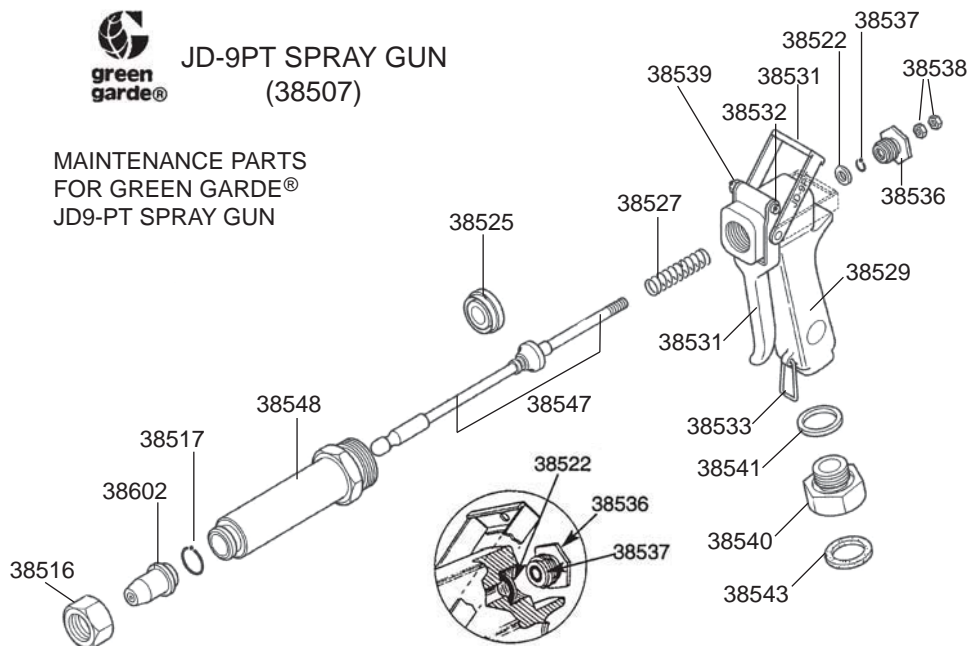
Part No. Description

38538	Nut (2)
38539	Locking Nut
38540	3/4" Garden Hose Coupling
38541	Special Packaging Gasket
38543	Garden Hose Washer
38544	Plug for Gauge (38501 gun only-not shown)
38602	Nozzle Tip & Retainer



## JD-9PT SPRAY GUN (38507)

MAINTENANCE PARTS  
FOR GREEN GARDE®  
JD9-PT SPRAY GUN



Moorhead, MN 56560  
218-236-1818  
800-365-3070  
[www.riverbendind.com](http://www.riverbendind.com)

Special Note:  
When tightening  
the two #38538  
nuts at the rear  
of the gun, allow  
a little slack so  
that the valve will  
seat properly,  
completely  
shutting off the  
flow.

Part No. Description

38516	Cap
38517	O-ring
38522	Gland Packaging
38525	Teflon Valve Seat
38527	Valve Spring
38529	Grip (38530 tapped for gauge)
38531	Trigger Assembly

Part No. Description

38532	Bolt, Stainless Steel
38533	Stopper Clip
38536	Gland
38537	O-ring
38538	Nut (2)
38539	Locking Nut
38540	3/4" Garden Hose Coupling

Part No. Description

38541	Special Packaging Gasket
38543	Garden Hose Washer
38544	Plug for Gauge (38501 gun only-not shown)
38547	Whirler Valve Stem
38548	Gun Barrel
38602	Nozzle Tip & Retainer