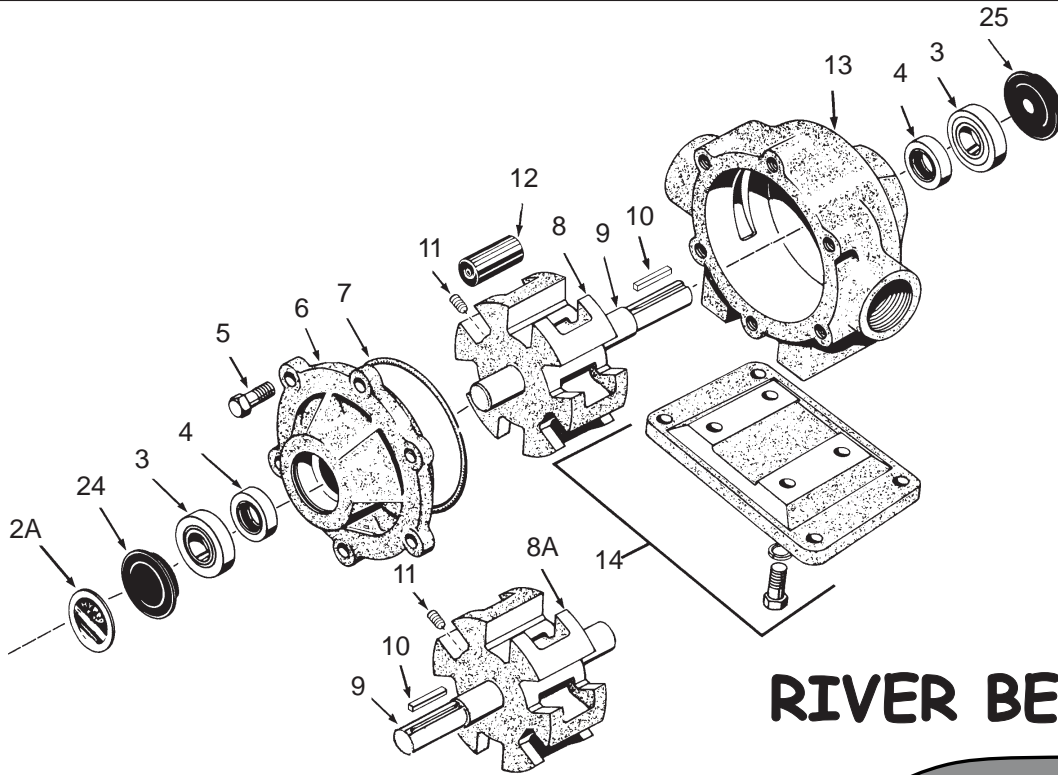


Models 1500C, 1500N, and 1500XL



# RIVER BEND INDUSTRIES

Moorhead, MN 56560  
 218-236-1818  
 800-365-3070  
[www.riverbendind.com](http://www.riverbendind.com)

Ref. No.	Qty. Req'd.	Part Number	Description
2A	1	6031-0258	Name Plate (Specify Pump Model #)
3	2	2008-0001	Sealed Ball Bearing
4	2	2112-0001	Buna-N Seal (Standard)
4	2	2112-0003	Viton Seal (Optional) (Std. for SilverCast)
5	6	2210-0026	Bolt
6	1	0200-1500C	Endplate (Cast Iron) with seal
6	1	0200-1500N	Endplate (Ni-Resist) with seal
6	1	0200-1500X	Endplate (SilverCast) with seal
7	1	1720-0003	O-ring Gasket for Endplate
8	1	0300-1502C	Rotor (Cast Iron) with shaft (Std. Rotation)
8	1	0300-1502N	Rotor (Ni-Resist) with shaft (Std. Rotation)
8	1	0300-1502X	Rotor (SilverCast) with shaft (Std. Rotation)
8A	1	0301-1502C	Rotor (Cast Iron) w/shaft (Reverse Rotation)
8A	1	0301-1502N	Rotor (Ni-Resist) w/shaft (Reverse Rotation)
8A	1	0301-1502X	Rotor (SilverCast) w/shaft (Reverse Rotat.)
9	1	0500-1502	Shaft Only

Ref. No.	Qty. Req'd.	Part Number	Description
10	1	1610-0005	Key
11	1	2230-0018	Set Screw
11	1	2230-0034	Set Screw (SilverCast Only)
12	6	1005-0005	Super Roller (Standard)
12	6	1002-0005	Polypropylene Roller (Optional)
12	6	1055-0005	Teflon Roller (Optional)
13	1	0100-1500C	Body (Cast Iron) with seal
13	1	0100-1500N	Body (Ni-Resist) with seal
13	1	0100-1500X	Body (SilverCast) with seal
14	1 kit	3420-0004	Base Kit — Includes: (1) Base, (4) Bolts, (4) Lockwashers
24	1	2300-0020	Bearing Cover
25	1	2300-0022	Shaft Bearing Cover

Repair Parts Kit No. 3430-0383 (Universal) Consists of: (6) Ref. 12 Super Rollers, (2) Ref. 7 O-Ring Gaskets, and (2) Ref. 4 Viton Seals.

Repair Parts Kit No. 3430-0388 Consists of: (6) Ref. 12 Super Rollers and (1) Ref. 7 O-Ring Gasket.

Repair Parts Kit No. 3430-0386 Consists of: (6) Ref. 12 Super Rollers, (1) Ref. 7 O-Ring Gasket, and (2) Ref. 4 Viton Seals.

Repair Parts Kit No. 3430-0387 Consists of: (6) Ref. 12 Super Rollers, (1) Ref. 7 O-Ring Gasket, and (2) Ref. 4 Buna-N Seals.

Repair Parts Kit No. 3430-0162 Consists of: (6) Ref. 12 Polypropylene Rollers and (1) Ref. 7 O-Ring Gasket.

Repair Parts Kit No. 3430-0204 Consists of: (6) Ref. 12 Teflon Rollers, (1) Ref. 7 O-Ring Gasket, and (2) Ref. 4 Buna-N Seals.

Repair Parts Kit No. 3430-0164 Consists of: (6) Ref. 8 Polypropylene Rollers, (1) Ref. 7 O-Ring Gasket, and (2) Ref. 4 Viton Seals.

Repair Parts Kit No. 3430-0163 Consists of: (6) Ref. 8 Polypropylene Rollers, (1) Ref. 7 O-Ring Gasket, and (2) Ref. 4 Buna-N Seals.

Repair Parts Kit No. 3430-0406 Consists of: (6) Ref. 12 Super Rollers, (1) Ref. 7 O-Ring Gasket, (2) Ref. 4 Viton Seals and (2) Ref. 3 Sealed Ball Bearings.