



# Hypro 1542P-3SP, 1542P-5SP, 1542P-55SP, 1542P-65SP Simer 4955

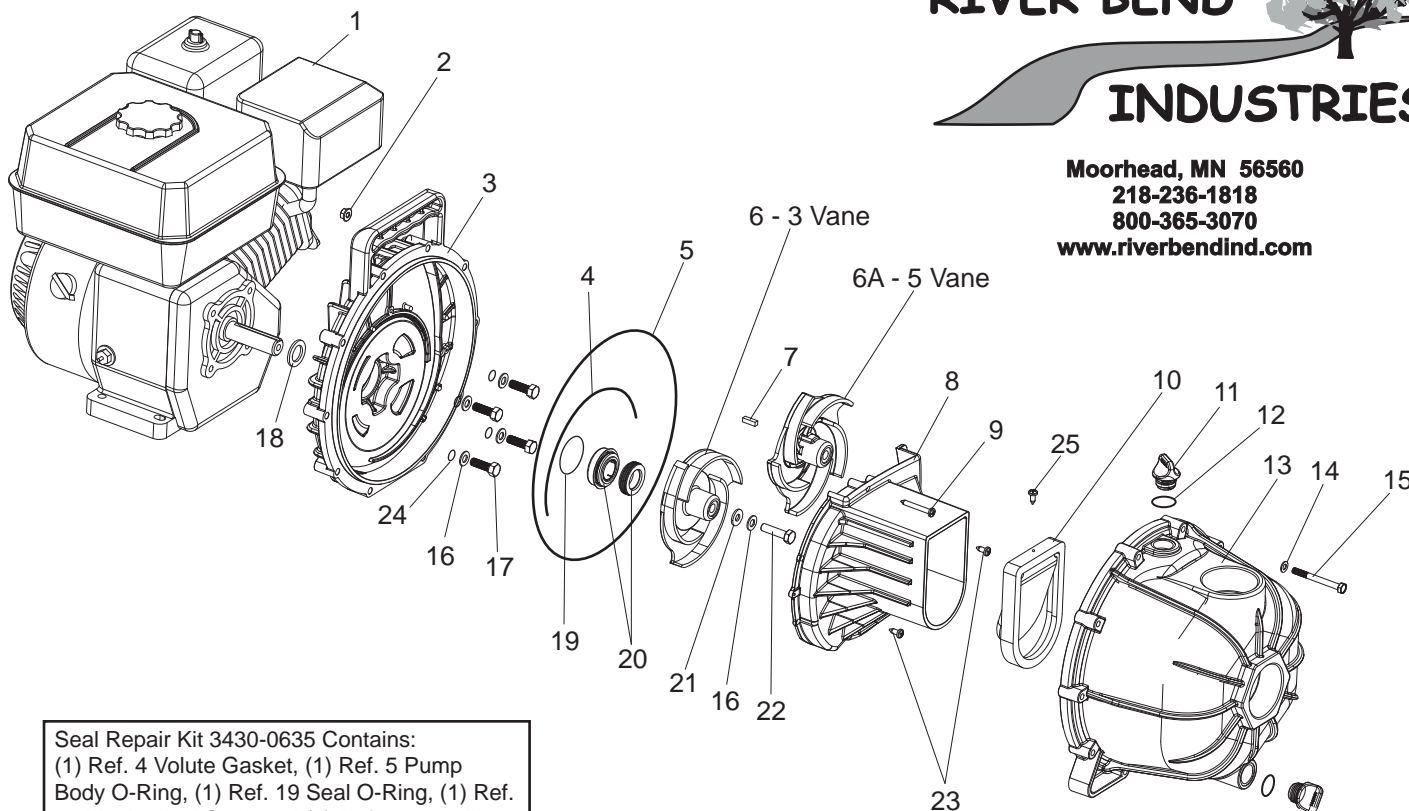
## Gasoline Engine-Driven Plastic Transfer Pump

RIVER BEND



INDUSTRIES

Moorhead, MN 56560  
218-236-1818  
800-365-3070  
www.riverbendind.com



Seal Repair Kit 3430-0635 Contains:  
(1) Ref. 4 Volute Gasket, (1) Ref. 5 Pump Body O-Ring, (1) Ref. 19 Seal O-Ring, (1) Ref. 20 Mechanical Seal, and (1) Ref. 21 Impeller Gasket

Viton Seal Repair Kit 3430-0659 contains:

(1) Ref. 4 Volute Gasket, (1) Ref. 5 Pump Body O-Ring, (1) Ref. 10 Flapper Valve, (1) Ref. 19 Seal O-Ring, (1) Ref. 20 Mechanical Seal, and (1) Ref. 21 Impeller Gasket

Ref#	Torque Spec.
#17	10 ft-lbs.
#22	10 ft-lbs.
#15	45 in-lbs.

REF. NO.	QTY.	PART NO.	DESCRIPTION
1	1	2541-0043	5.5 HP PowerPro Gas Engine (1542P-55SP)
1A	1	2541-0045	6.5 HP PowerPro Gas Engine (1542P-65SP)
2	10	2250-0087	Hex Flange Nut,M6
3	1	0751-1540P	Mounting Flange
4	1	1700-0209	Volute Gasket
5	1	1720-0244	Pump Body O-Ring
6	1	0400-1540P	3 Vane Impeller (1542P-3SP)
6A	1	0401-1540P	5 Vane Impeller (1542P-5SP, 55SP, 65SP)
7	1	1610-0044	Key 3/16 X 5/8 SS (1542P-5SP)
8	1	0150-1540P	Volute
9	1	2210-0144	Volute Mounting Screw (Long)
10	1	1700-0208	Flapper Valve
11	2	2404-0350P	Fill/Drain Plug

REF. NO.	QTY.	PART NO.	DESCRIPTION
12	2	1720-0230	Plug O-Ring
13	1	0100-1540P	Pump Housing
14	10	2270-0115	Flat Washer 6M
15	10	2210-0141	Bolt 6M X1 X 60
16	5	2270-0114	Washer 5/16 SS
17	4	2210-0153	Mounting Bolt 5/16-24 X 1
18	1	1410-0083	Slinger Ring
19	1	1720-0231	Seal O-Ring
20	1	2120-0044	Mechanical Seal
21	1	1700-0210	Impeller Gasket
22	1	2210-0142	Impeller Bolt 5/16-24 X 1-1/4
23	2	2210-0145	Volute Mounting Screw (Short)
24	4	1720-0013	O-Ring, Mounting Bolts
25	1	2210-0152	Screw