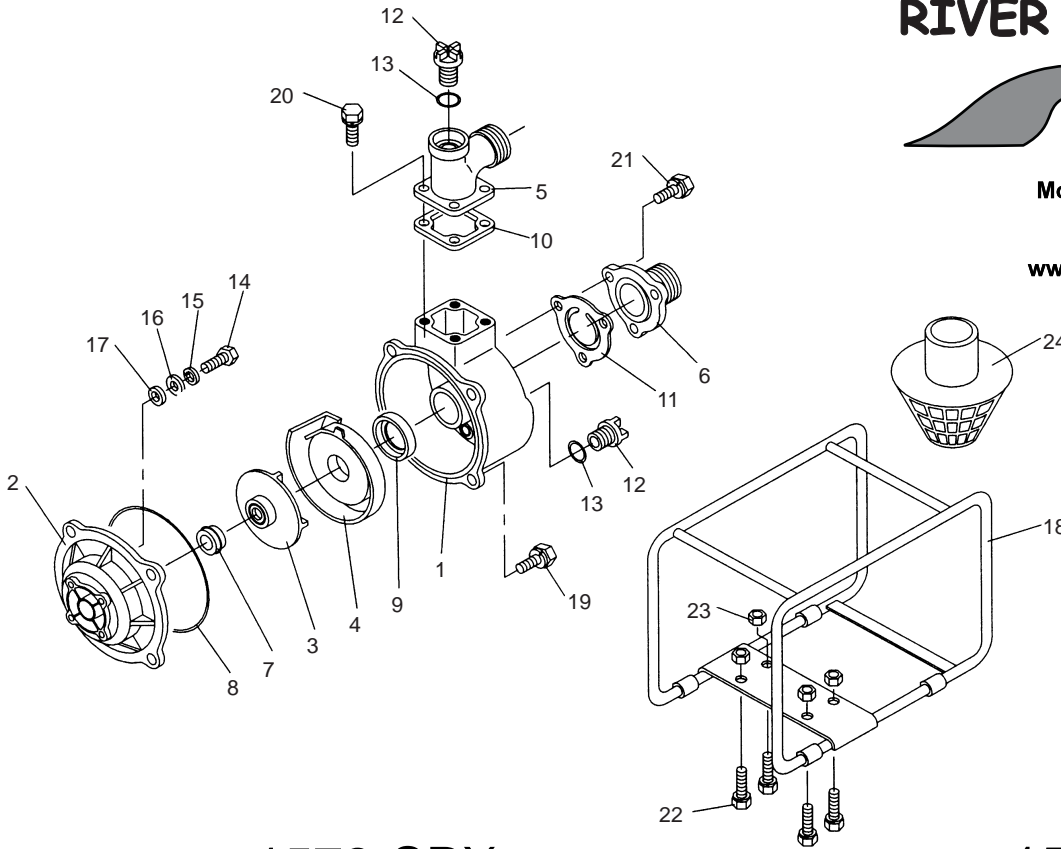


Moorhead, MN 56560
 218-236-1818
 800-365-3070
www.riverbendind.com



1572-SPX

Ref. No.	Qty.	Part No.	Description
	1	ENGINE	HONDA GX120
1	1	DS-501-001	Casing
2	1	DS-501-004	Casing Cover
3	1	DS-501-009	Impeller
4	1	DS-501-011	Inner Casing
5	1	DS-501-019HN	Discharge Port
6	1	DS-501-013N	Inlet Port
7	1	2120-0036	Mechanical Seal (Viton)
8	1	DS-501-002	O-Ring
9	1	DS-501-012	Gasket
10	1	DS-501-020	Gasket
11	1	DS-501-015	Check Valve
12	2	DS-501-021	Plug
13	2	Not Available	O-Ring
14	4	DS-501-005	Bolt M8X50
15	4	DS-501-007	Spring Washer (8mm)
16	4	DS-501-008	Flat Washer (8mm)
17	4	DS-501-006	Gasket
18	1	Not Available	Frame (Black)
19	4	DS-501-003	Bolt M10X30SW
20	4	DS-501-014	Bolt M8X25SW
21	3	DS-801-014	Bolt M8X30SW
22	4	Not Available	Bolt M8X40SW
23	4	Not Available	Lock Nut (M8)
24	1	Not Available	Strainer

1573-SPX

Ref. No.	Qty.	Part No.	Description
	1	ENGINE	HONDA GX160
1	1	DS-801-001	Casing
2	1	DS-501-004	Casing Cover
3	1	DS-801-009	Impeller
4	1	DS-801-011	Inner Casing
5	1	DS-801-019N	Discharge Port
6	1	DS-801-013N	Inlet Port
7	1	2120-0036	Mechanical Seal (Viton)
8	1	DS-501-002	O-Ring
9	1	DS-801-012	Gasket
10	1	DS-801-020	Gasket
11	1	DS-801-015	Check Valve
12	2	DS-501-021	Plug
13	2	Not Available	O-Ring
14	4	DS-501-005	Bolt M8X48
15	4	DS-501-007	Spring Washer (8mm)
16	4	DS-501-008	Flat Washer (8mm)
17	4	DS-501-006	Gasket
18	1	DS-801-030N-2	Frame (Black)
19	4	DS-501-003	Bolt M10X30SW
20	4	DS-501-014	Bolt M8X25SW
21	3	DS-801-014	Bolt M8X30SW
22	4	Not Available	Bolt M8X40SW
23	4	Not Available	Lock Nut (M8)
24	1	DS-801-029	Strainer