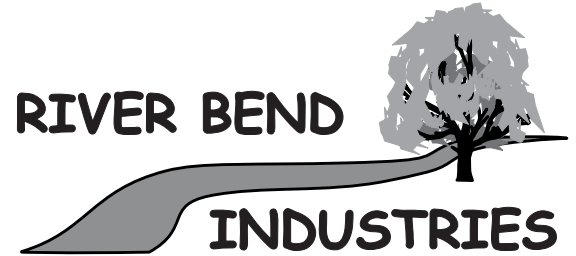
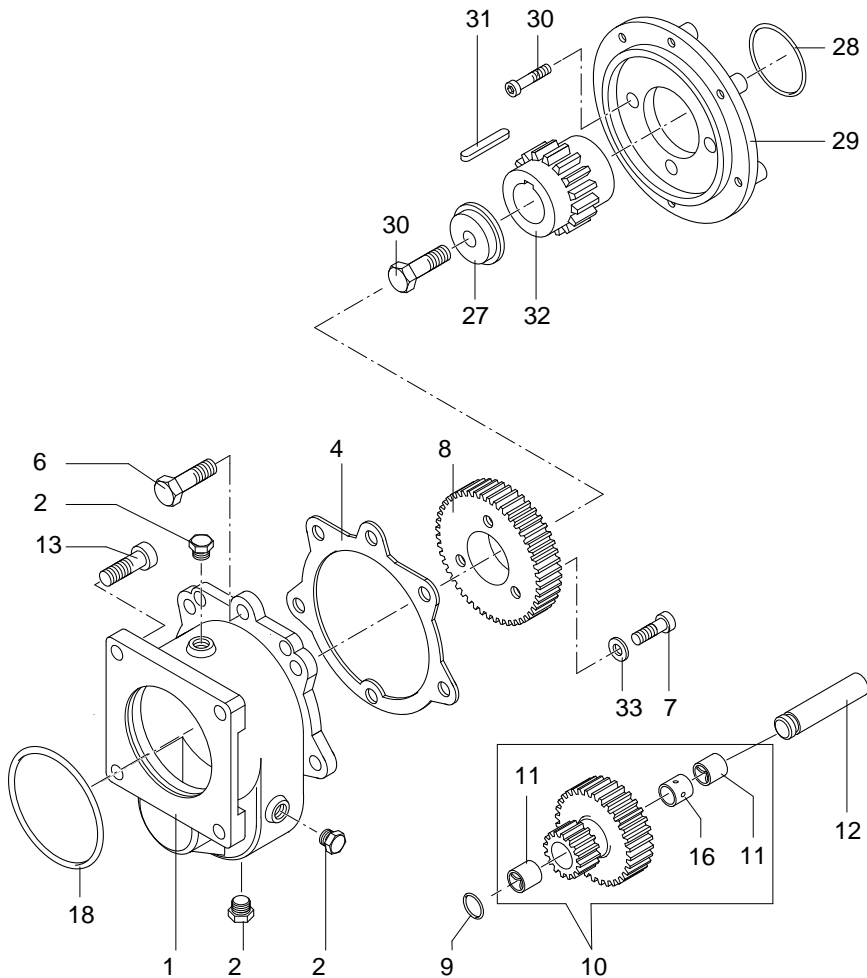




9910-1634 Gear Reduction

Old Style (Aluminum Color, No Cooling Fins)



Moorhead, MN 56560
 218-236-1818
 800-365-3070
www.riverbendind.com

| Ref No. | Qty. Req. | Part Number | Description |
|---------|-----------|-------------|----------------------------|
| 1 | 1 | 9910-620490 | Gear Case |
| 2 | 4 | 9910-620301 | Plug |
| 4 | 1 | 9910-620521 | Gasket |
| 6 | 5 | 9910-180370 | Hex Head Bolt (8MA x 25) |
| 7 | 3 | 9910-621590 | Bolt for Driven Gear |
| 8 | 1 | 9910-620540 | Driven Gear |
| 9 | 1 | 9910-600180 | O-Ring |
| 10 | 1 | 9910-620510 | Idler Gear Complete |
| 11 | 2 | 9910-620532 | Driven Gear Bushing |
| 12 | 1 | 9910-620520 | Shaft |
| 13 | 4 | 9910-540300 | Allen Head Bolt |
| 16 | 1 | 9910-620531 | Spacer |
| 18 | 1 | 9910-620561 | O-Ring |
| 27 | 1 | 9910-620670 | Washer |
| 28 | 1 | 9910-390210 | O-Ring for Mounting Flange |
| 29 | 1 | 9910-620410 | Mounting Flange |
| 30 | 4 | 9910-620440 | Allen Head Bolt |
| 31 | 1 | 9910-881090 | Engine Shaft Key |
| 32 | 1 | 9910-620420 | Drive Gear |
| 33 | 4 | 9910-660640 | Lock Washer |