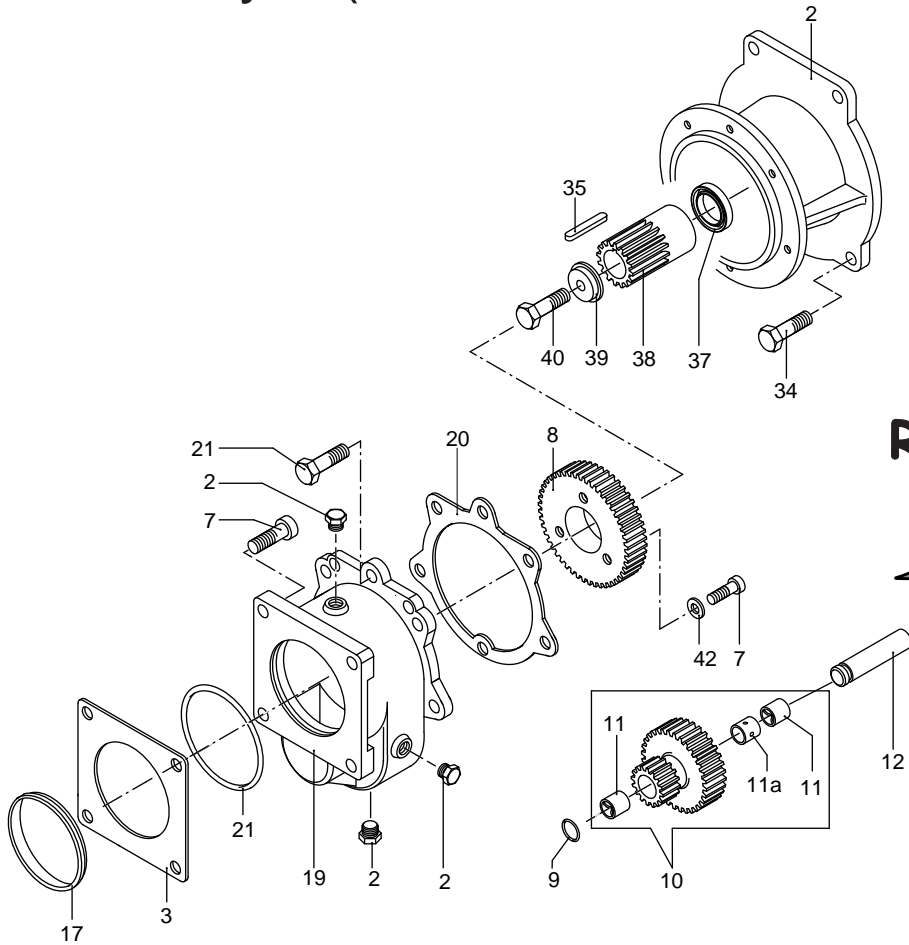


HYPRO® 9910-1644 Gear Reduction

Old Style (Aluminum Color, No Cooling Fins)



Moorhead, MN 56560
218-236-1818
800-365-3070
www.riverbendind.com

Ref. No.	Qty. Req'd	Part Number	Description
2	4	9910-620301	Plug
3	1	9910-650270	Gasket
5	4	9910-180140	Stud
7	3	9910-650700	Bolt
8	1	9910-620540	Driven Gear
9	1	9910-600180	O-Ring
10	1	9910-620510	Idler Gear
11	2	9910-620532	Driven Gear Bushing
11a	1	9910-620531	Spacer
12	1	9910-620500	Shaft
17	1	9910-650260	Support Ring
19	1	9910-620490	Gear Case
20	1	9910-620521	Gasket
21	5	9910-180370	Hex Head Bolt
34	4	9910-650610	Black Hex Head Bolt
35	1	9910-650600	Engine Shaft Key
36	1	9910-650570	Mounting Flange
37	1	9910-650490	Seal (Installed in Mounting Flange)
38	1	9910-650580	Driver Gear
39	1	9910-650590	Washer
40	1	9910-650620	N. F. Bolt (7/16" x 20 c3/4)
41	4	9910-180150	Nut
42	4	9910-650530	Lock Washer