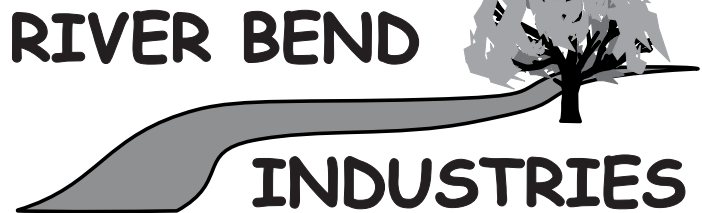
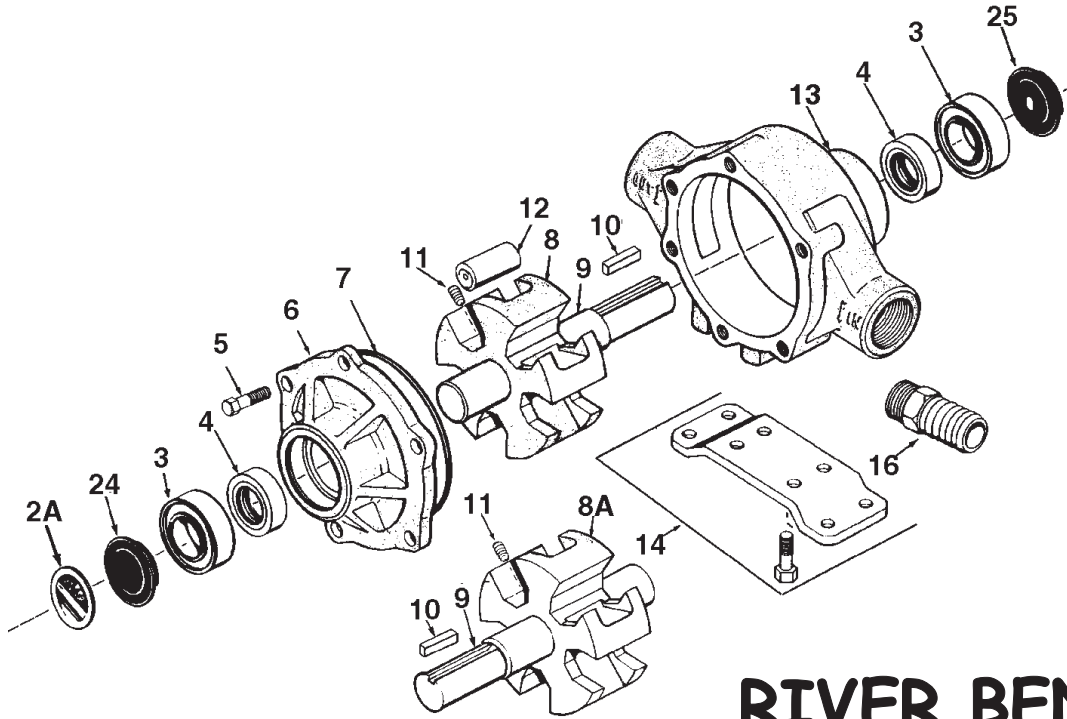


Models 1700C, 1700N, and 1700XL



Moorhead, MN 56560
218-236-1818
800-365-3070
www.riverbendind.com

IMPORTANT:
 When ordering parts, give PART NUMBER and PART DESCRIPTION. Reference Numbers are used ONLY to point out parts in the drawing and are NOT to be used as ordering numbers.

Ref. No.	Qty. Req'd.	Part Number	Description
2A	1	6031-0258	Name Plate (Specify Pump Model #)
3	2	2008-0001	Sealed Ball Bearing
4	2	2112-0003	Viton Seal (Standard)
4	2	2112-0001	Buna-N Seal (Optional)
5	6	2210-0005	Bolt
6	1	0200-1700C	Endplate (Cast Iron) with seal
6	1	0200-1700N	Endplate (Ni-Resist) with seal
6	1	0200-1700X	Endplate (SilverCast) with seal
7	1	1720-0099	O-ring Gasket for Endplate
8	1	0300-1700C	Rotor (Cast Iron) with shaft (Std. Rotation)
8	1	0300-1700N	Rotor (Ni-Resist) with shaft (Std. Rotation)
8	1	0300-1700X	Rotor (SilverCast) with shaft (Std. Rotation)
8A	1	0301-1700C	Rotor (Cast Iron) w/shaft (Reverse Rotation)
8A	1	0301-1700N	Rotor (Ni-Resist) w/shaft (Reverse Rotation)
8A	1	0301-1700X	Rotor (SilverCast) w/shaft (Reverse Rot.)

Ref. No.	Qty. Req'd.	Part Number	Description
9	1	0500-1502	Shaft Only
10	1	1610-0005	Key
11	1	2230-0018	Set Screw
11	1	2230-0034	Set Screw (SilverCast Only)
12	5	1005-0005	Super Roller (Standard)
12	5	1002-0005	Polypropylene Roller (Optional)
12	5	1055-0005	Teflon Roller (Optional)
13	1	0100-1700C	Body (Cast Iron) with seal
13	1	0100-1700N	Body (Ni-Resist) with seal
13	1	0100-1700X	Body (SilverCast) with seal
14	1 kit	3420-0010	Base Kit — Includes: (1) Base and (4) Bolts
16	1	2404-0191	1-1/4" Hose Barb
24	1	2300-0020	Bearing Cover
25	1	2300-0022	Shaft Bearing Cover

Repair Parts Kit No. 3430-0437 Consists of: (5) Ref. 12 Super Rollers, (1) Ref. 7 O-Ring Gasket, and (2) Ref. 4 Viton Seals.

Repair Parts Kit No. 3430-0383 (Universal) Consists of: (6) Ref. 12 Super Rollers, (2) Ref. 7 O-Ring Gaskets, and (2) Ref. 4 Viton Seals.

Repair Parts Kit No. 3430-0160 Consists of: (5) Ref. 12 Polypropylene Rollers and (1) Ref. 7 O-Ring Gasket, and (2) Ref. 4 Buna-N Seals.

Repair Parts Kit No. 3430-0159 Consists of: (5) Ref. 12 Polypropylene Rollers and (1) Ref. 7 O-Ring Gasket.

Repair Parts Kit No. 3430-0161 Consists of: (5) Ref. 12 Polypropylene Rollers and (1) Ref. 7 O-Ring Gasket, and (2) Ref. 4 Viton Seals.

Repair Parts Kit No. 3430-0407 Consists of: (5) Ref. 12 Super Rollers, (1) Ref. 7 O-Ring Gasket, (2) Ref. 4 Viton Seals and (2) Ref. 3 Sealed Ball Bearings.