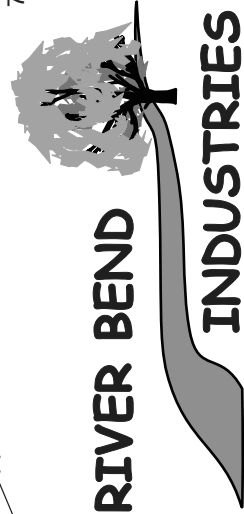
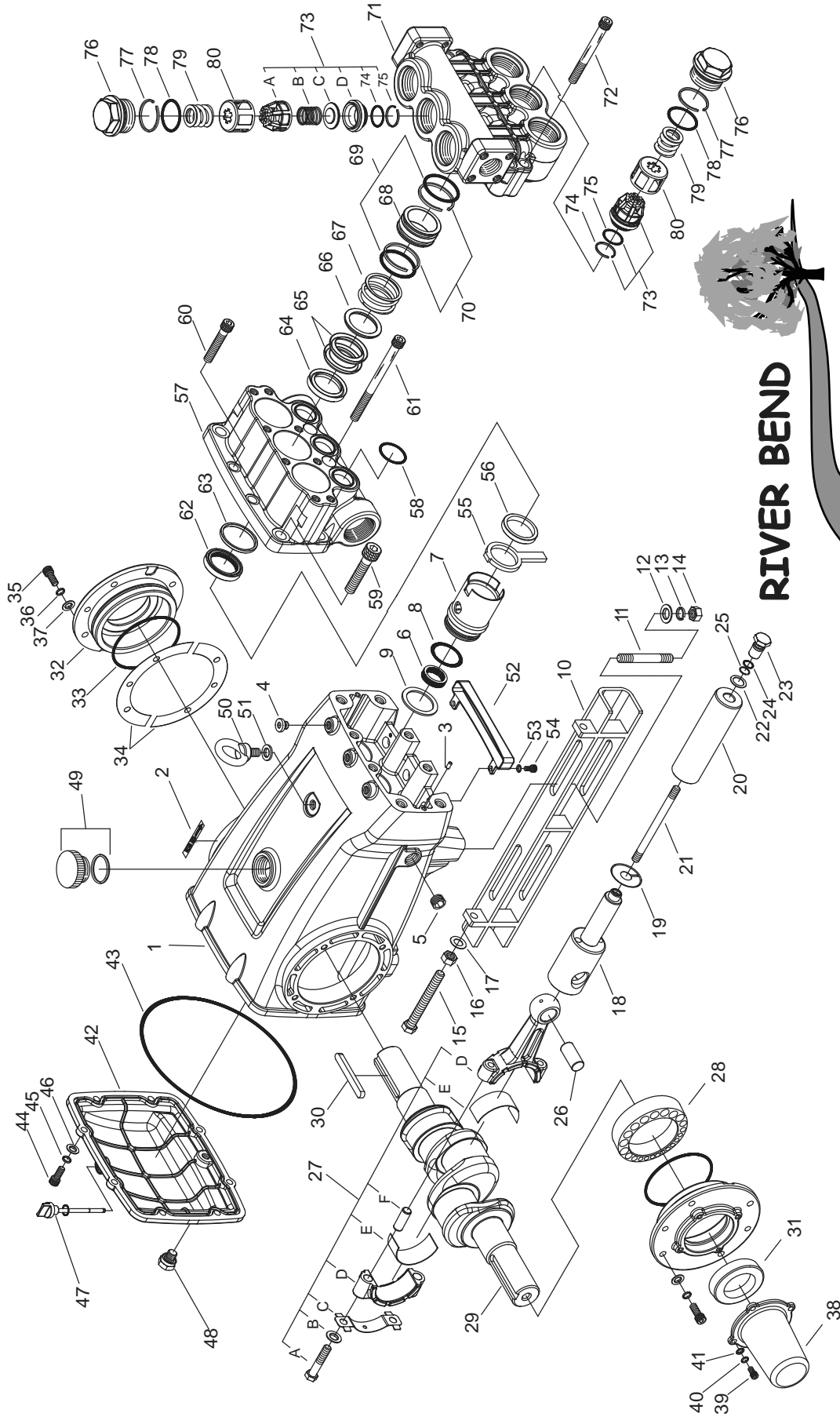




HYPRO® 2535S & 2545S Parts Breakdown



Moorhead, MN 56560
218-236-1818
800-365-3070
www.riverbendind.com



Ref. No.	Qty. Req.	Part No.	Description
1	1	0100-2535A	CRANKCASE
2	2	6031-0438	DECAL
3	2	1600-0072	DOWEL PIN
4	3	2300-0041	PLUG
5	1	2406-0040	PLUG, PIPE
6	3	2102-0042	OIL SEAL
7	3	0714-2535	INSERT (Model 2535S)
7	3	0714-2545	INSERT (Model 2545S)
8	3	1720-0232	O-RING
9	3	2270-0101	WASHER
10	2	1510-0110	BASE
11	4	2205-0018	STUD
12	4	2270-0102	WASHER
13	4	2260-0047	LOCKWASHER
14	4	2250-0089	NUT
15	2	2210-0147	BOLT
16	2	2250-0090	NUT
17	2	2270-0103	WASHER
18	3	3500-0072	PLUNGER ROD
19	3	2270-0104	SLINGER (Model 2535S)
19	3	2270-0126	SLINGER (Model 2545S)
20	3	3500-0073	PLUNGER (Model 2535S)
20	3	3500-0075	PLUNGER (Model 2545S)
21	3	2205-0019	STUD
22	3	2270-0105	WASHER
23	3	1630-0002	PLUNGER NUT
24	3	1720-0233	O-RING
25	3	1760-0014	BACK-UP RING
26	3	1600-0073	WRIST PIN
27	3	0500-2535	CONNECTING ROD ASSY
27-D	3	N/A	ROD
27-F	6	N/A	DOWEL PIN
27-C	3	N/A	RETAINING PLATE
27-B	6	N/A	WASHER
27-A	6	N/A	BOLT
27-E	3	N/A	BEARING
28	2	2029-0015	BEARING
29	1	0501-2535	CRANKSHAFT
30	1	1610-0063	KEY (M10x8x70)
31	2	2102-0040	OIL SEAL
32	2	0700-2535	BEARING COVER
33	2	1720-0234	O-RING
34	2	1430-0030	SHIM
35	8	2220-0108	BOLT
36	8	2260-0048	LOCKWASHER
37	8	2270-0107	WASHER
38	1	0701-2535	COVER
39	4	2220-0109	BOLT
40	4	2260-0049	LOCKWASHER
41	4	2270-0108	WASHER
42	1	0702-2535	REAR COVER
43	1	1720-0235	O-RING
44	8	2220-0110	BOLT
45	8	2260-0050	LOCKWASHER
46	8	2270-0109	WASHER
47	1	2630-0019	DIPSTICK
48	1	2406-0039	DRAIN PLUG 1/4"-18 NPT
49	1	2630-0020	OIL CAP

Plunger Kit No. 3430-0638 (Model 2535S) / 3430-0728 (Model 2545S):
 Consists of: (1) Ref. 24 O-Ring, (1) Ref. 25 Back-up Ring, (1) Ref. 19 Slinger,
 (1) Ref. 22 Washer, (1) Ref. 20 Plunger, & (4) Anti-Seize Tubes
Packing Kit No. 3430-0639 (Model 2535S) / 3430-0729 (Model 2545S):
 Consists of: (3) Ref. 62 Low Pressure Seal, (6) Ref. 65 Packing, & (4) Anti-
 Seize Tubes

Valve Kit No. 3430-0640 (Model 2535S) / 3430-0730 (Model 2545S):
 Consists of: (6) Ref. 73 Valve Assembly, (6) Ref. 77 Back-up Ring, (6) Ref. 78
 O-Ring, & (3) Anti-Seize Tubes

Ref. No.	Qty. Req.	Part No.	Description
50	1	2214-0001	EYE BOLT
51	1	2270-0110	WASHER
52	1	2850-0010	OIL PAN
53	2	2270-0111	WASHER
54	2	2220-0111	BOLT
55	3	1700-0211	WICK (Model 2535S)
55	3	1700-0231	WICK (Model 2545S)
56	3	1830-0175	SEAL RETAINER (Model 2535S)
56	3	1830-0182	SEAL RETAINER (Model 2545S)
57	1	0200-2535	INLET MANIFOLD(Model 2535S)
57	1	0200-2545	INLET MANIFOLD(Model 2545S)
58	3	1720-0239	O-RING
59	4	2220-0112	BOLT
60	2	2220-0113	BOLT
61	2	2220-0114	BOLT
62	3	2102-0041	LOW PRESSURE SEAL (2535S)
62	3	2102-0045	LOW PRESSURE SEAL (2545S)
63	3	1410-0117	SPACER (Model 2535S)
63	3	N/A	SPACER (Model 2545S)
64	3	1830-0176	PACKING RETAINER
65	6	2140-0004	PACKING (Model 2535S)
65	6	2140-0005	PACKING (Model 2545S)
66	3	1830-0177	SPREADER (Model 2535S)
66	3	1830-0181	SPREADER (Model 2545S)
67	3	1900-0167	SPRING (Model 2535S)
67	3	1900-0181	SPRING (Model 2545S)
68	3	1410-0118	SPACER (Model 2535S)
68	3	1410-0124	SPACER (Model 2545S)
69	6	1720-0240	O-RING (Model 2535S)
69	6	1720-0264	O-RING (Model 2545S)
70	6	1760-0015	BACK-UP RING (Model 2535S)
70	6	1760-0018	BACK-UP RING (Model 2545S)
71	1	0201-2535	DISCHARGE MANIFOLD(2535S)
71	1	0201-2545	DISCHARGE MANIFOLD (2545S)
72	8	2220-0115	BOLT
73	6	3400-0169	VALVE ASSY (Model 2535S)
73	6	3400-0170	VALVE ASSY (Model 2545S)
73-A	6	N/A	VALVE CAGE
73-B	6	N/A	SPRING
73-C	6	N/A	DISC
73-D	6	N/A	VALVE SEAT
74	6	1720-0241	O-RING (Model 2535S)
74	6	1720-0265	O-RING (Model 2545S)
75	6	1760-0016	BACK-UP RING (Model 2535S)
75	6	1760-0019	BACK-UP RING (Model 2545S)
76	6	2404-0357	VALVE CAP
77	6	1760-0017	BACK-UP RING
78	6	1720-0242	O-RING
79	6	1900-0169	SPRING
80	6	3200-0062	SPRING RETAINERP

Packing Rebuild Kit No. 3430-0641 (Model 2535S) / 3430-0731 (Model 2545S):
 Consists of: (3) Ref. 58 O-Ring, (6) Ref. 69 O-Ring, (6) Ref. 70 Back-up Ring,
 (3) Ref. 64 Packing Retainer, (3) Ref. 62 Low Pressure Seal, (6) Ref. 65 Packing,
 & (4) Anti-Seize Tubes

Valve Seal Kit No. 3430-0642 (Model 2535S) / 3430-0732 (Model 2545S):
 Consists of: (6) Ref. 74 O-Ring, (6) Ref. 78 O-Ring, (6) Ref. 75 Back-up Ring,
 (6) Ref. 77 Back-up Ring, & (3) Anti-Seize Tubes

Plunger Seal Kit No. 3430-0643 (Model 2535S) / 3430-0733 (Model 2545S):
 Consists of: (3) Ref. 24 O-Ring, (3) Ref. 25 Back-up Ring, (3) Ref. 19 Slinger,
 (3) Ref. 22 Washer, & (4) Anti-Seize Tubes

Rod Oil Seal Kit No. 3430-0644 (Model 2535S) / 3430-0734 (Model 2545S):
 Consists of: (3) Ref. 55 Wick, (3) Ref. 8 O-Ring, & (3) Ref. 6 Oil Seal, & (4) Anti-
 Seize Tubes

Mounting Kit No. 3430-0645 (Both Models): consists of: (2) Ref. 10 Base,
 (4) Ref. 11 Stud, (2) Ref. 15 Bolt, (4) Ref. 14 Nut, (2) Ref. 16 Nut, (4) Ref. 13
 Lockwasher, (4) Ref. 12 Washer, & (2) Ref. 17 Washer