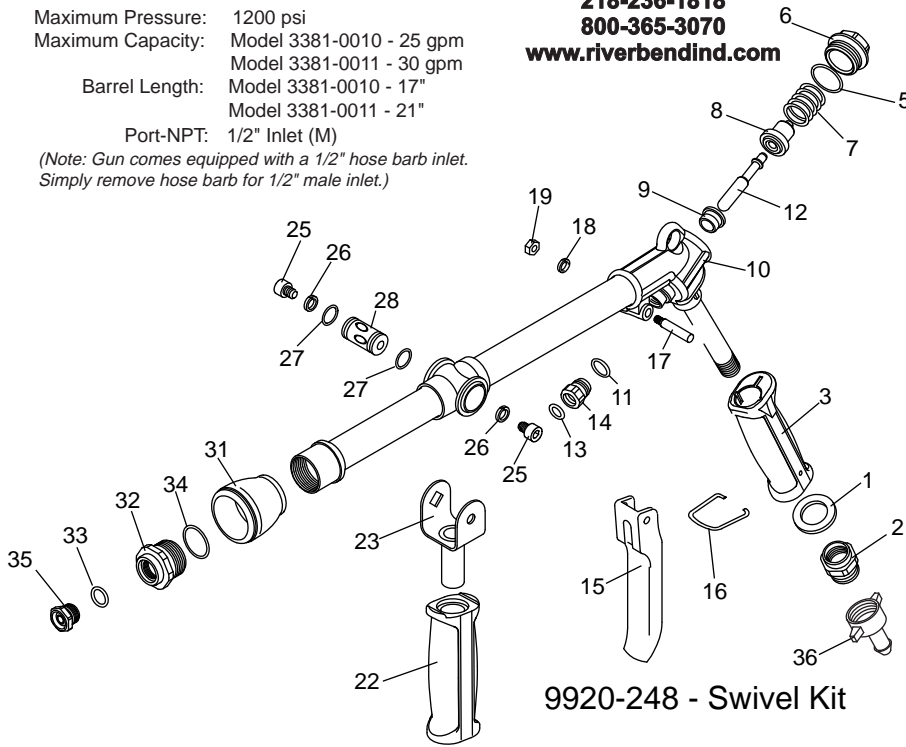


### SPECIFICATIONS:

Maximum Pressure: 1200 psi  
 Maximum Capacity: Model 3381-0010 - 25 gpm  
 Model 3381-0011 - 30 gpm  
 Barrel Length: Model 3381-0010 - 17"  
 Model 3381-0011 - 21"  
 Port-NPT: 1/2" Inlet (M)

(Note: Gun comes equipped with a 1/2" hose barb inlet. Simply remove hose barb for 1/2" male inlet.)

**Moorhead, MN 56560**  
**218-236-1818**  
**800-365-3070**  
**www.riverbendind.com**



**9920-248 - Swivel Kit**

\* Repair Kit No. 9920-KIT10/11 consists of the following:  
 (1) Ref. 6 O-ring 9920-3100, (1) Ref. 8 Poppet 9920-71903.1, (1) Ref. 9 Seat 9920-129, (1) Ref. 11 O-ring 9920-2050, (1) Ref. 13 O-ring 9920-109, (2) Ref. 27 O-rings 9920-119, (1) Ref. 33 O-ring 9920-115, and (1) Ref. 34 O-ring 9920-124.

REF. NO.	QTY. REQ'D.	PART NUMBER	DESCRIPTION
1	1	9920-232	Washer
2	1	9920-230B	Inlet Port
3	1	9920-193	Hand Grip
5	1	9920-231	Plug
6	1	*	O-ring
7	1	9920-233	Spring
8	1	*	Poppet
9	1	*	Seat
10	1	9920-7.1615.3	Body, Welded Assy for -0010
10	1	9920-13.1615.8	Body, Welded Assy for -0011
11	1	*	O-ring
12	1	9920-239	Plunger
13	1	*	O-ring
14	1	9920-241	Guide
15	1	9920-246	Trigger
16	1	9920-245C	Locking Clip
17	1	9920-194	Pin
18	1	9920-1751	Washer
19	1	9920-5587-68	Nut
22	1	9920-192	Front Grip
23	1	9920-247	Bracket
25	2	9920-5931	Bolt
26	2	9920-1751	Washer
27	2	*	O-ring
28	1	9920-237	Regulator
31	1	9920-183	Shroud for -0010
31	1	9920-408	Shroud for -0011
32	1	9920-158	Nozzle Retainer for -0010
32	1	9920-407	Nozzle Retainer for -0011
33	1	*	O-ring
34	1	*	O-ring
35	1	3385-	Nozzles 3385-2300, -3000, -3500, -4000, -4500, -5000, -5500, -6000, -7000
36	1	9910-110130	Hose Barb, wing nut, gasket

### Performance chart for models 3381-0010, 3381-0011 and 3381-0013 spray guns

Hypro Tip #	Orifice Diameter In MM	Equiv. Nozzle #	Pressure In PSI** Performance	200 PSI Setting		350 PSI Setting		500 PSI Setting		600 PSI Setting		650 PSI Setting		700 PSI Setting		850 PSI Setting	
				Cone	Straight	Cone	Straight	Cone	Straight	Cone	Straight	Cone	Straight	Cone	Straight	Cone	Straight
3385-1500	2.3	14	capacity in gpm	1.14	1.26	1.48	1.7	1.8	2	1.9	2.2	2	2.3	2.1	2.4	2.2	2.5
			max throw (ft)*	9.2	21.5	10.3	25.2	11.2	28	12.1	31.8	12.1	32	12.3	32.3	13.1	34.3
3385-2300	2.3	14	capacity in gpm	2.1	2.7	2.7	3.7	3.4	4.5	3.8	4.9	3.8	5	3.9	5.1	4.2	5.8
			max throw (ft)*	11.4	29	12.9	33.9	14.8	37.9	16.6	41.5	17	41.7	17.7	42	19	45.7
3385-3000	3	23	capacity in gpm	2.9	4.6	3.7	6.3	4.8	7.5	5.2	8.4	5.3	8.5	5.4	8.6	6	9.6
			max throw (ft)*	11.7	29.2	12.9	33.9	13.8	36.2	15.6	40.8	16	40.7	16.2	42	17	44.1
3385-3500	3.5	29	capacity in gpm	5.8	6	7.9	8.2	9.6	9.9	10.7	11.1	11	11.3	11.2	11.6	12.4	12.8
			max throw (ft)*	13.6	36.2	19	41.2	22.6	45.3	25.5	50	25.5	51	27	51.5	28.8	54
3385-4000	4	40	capacity in gpm	7	7.3	9.6	9.9	11.6	12	12.9	13.5	13.2	13.8	13.6	14.1	15	15.6
			max throw (ft)*	15.1	37.7	20.6	42.8	24.3	47	27.2	53	27.2	54	28.5	55	29	59
3385-4500	4.5	54	capacity in gpm	8.2	8.9	11.1	12	13.4	14.5	15	16.3	15.4	16.6	15.7	17	17.4	18.9
			max throw (ft)*	18.1	39.2	22.2	44.3	26	50.1	30.6	54	30.6	56	31	57	31.5	62
3385-5000	5	67	capacity in gpm	9.8	10.2	13.3	13.8	16	16.7	18	18.7	18.4	19.1	18.9	19.5	20.8	21.6
			max throw (ft)*	19.6	40.7	23.8	47	27.5	53.3	32.3	59	32.3	61	32.8	62	32.8	67
3385-5500	5.5	79	capacity in gpm	10.7	11.5	14.4	15.6	17.4	18.8	19.6	21	20	21.5	20.4	22	22.6	24.4
			max throw (ft)*	19.6	42.2	23.8	50.7	29	57	34	63	34	64	34.5	65	34.5	70
3385-6000	6	91	capacity in gpm	11.5	12.6	15.6	17.1	18.8	20.6	21	23.2	21.5	23.7	22	24.2	24.4	26
			max throw (ft)*	21.1	43.7	25.3	54	30.7	60	35.6	66	35.6	67	36	68	36	97.4
3385-7000	7	117	capacity in gpm	11.5	13.5	15.6	18.4	18.8	22.2	21	25	21.5	25.4	22	26	24.4	29
			max throw (ft)*	21.1	46.8	25.3	57	30.7	63	37.4	70	37.4	71	38	72	38	77

\* Figures shown are guidelines for vertical throw.  
 \*\* Pressures based on relief valve settings at straight throw.